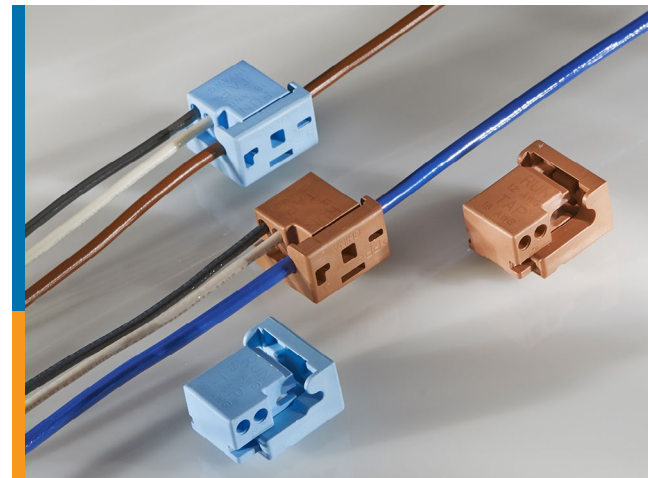


POKE-IN WIRE TAP IDC SPLICE

TE Connectivity's (TE) Poke-in Wire Tap IDC Splice accommodates factory and field termination of power wiring (tap) out to individual commercial ballast lighting fixtures. The IDC splice allows feed through connection to 12 AWG (4.0 mm²) stranded and solid or 18 AWG (0.75 mm²) solid THHN/THWN wire. The Poke-in wire tap accepts two, pre-stripped 18 AWG (0.75 mm²) solid wires. The connectors are marked with the applicable wire size and are color-coded for easy identification. The pre-assembled, two-piece housings are comprised of one housing that retains the contacts while the other housing serves as the wire stuffer and provides strain relief to the wire after termination. This cost effective termination is accomplished using flat rock or common handheld tools.



Applications

- Commercial Ballast Lighting Systems

Electrical

- Contact Current Rating: 7A max
- Operating Voltage: 600 VAC max

Mechanical

- Operating Temperature: -55°C to 105°C
- Tap wire retention force exceeds 10 pounds (4,5 kg)

Specifications

- Product Specification: [108-2219](#) Wire Tap/Splice Connector
- Application Specification: [114-13151](#) IDC Splice/Poke-In Tap Connector
- Instruction Sheet: [408-2049-39](#) Electro-Tap/Poke-In Wire Connector

Materials

- Contacts: Tin plated copper alloy
- Housing: Thermoplastic
- UL 94V-0 rated and RoHS Compliant
- UL 486C standard for splicing wire connectors
- C5A, C22.2, No. 188 wire connectors

Key Benefits

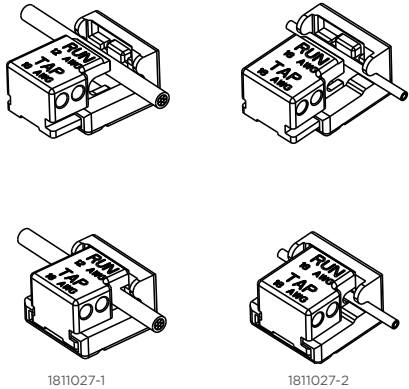
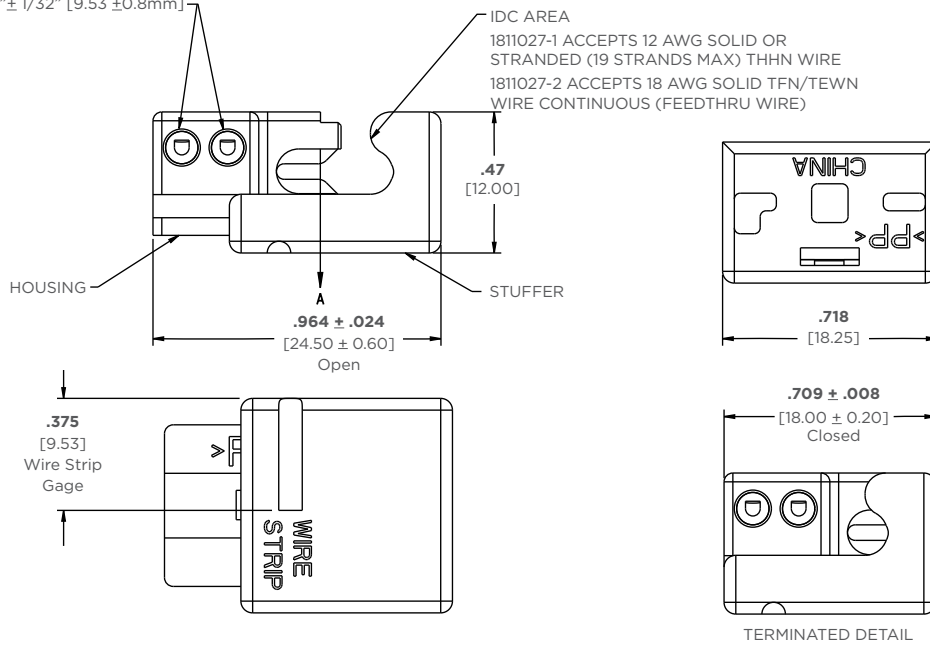
- Cost effective termination system for installation of ballast lighting systems
- IDC splice termination allows feed-through in 12 AWG (4.0 mm²) stranded and solid or 18 AWG (0.75 mm²) THHN/THWN
- Poke-in Wire Tap accommodates two (2) pre-stripped 18 AWG (0.75 mm²) solid wires
- Run wire IDC termination with "Flat Rock" tooling or field terminated with common handheld tools
- Tap wire terminations are tool-free, "poke-in" wire trap design

Product Selection Information

Part Number	Color	Run Wire	Run Connection	Tap Wire	Tap Connection
1811027-1	Brown	#12 AWG (solid or stranded)	IDC	#18 AWG (solid)	Poke-In
1811027-2	Blue	#18 AWG (solid)	IDC	#18 AWG (solid)	Poke-In

Dimensions

POKE-IN CAVITIES ACCEPTS 18 AWG
PRE-STRIPPED SOLID WIRE STRIP LENGTHS
3/8" ± 1/32" [9.53 ± 0.8mm]



te.com

© 2017 TE Connectivity Ltd. Family of Companies. All Rights Reserved. TE, TE Connectivity, and the TE connectivity (logo) are trademarks of the TE Connectivity Ltd. family of companies. Other logos, product and company names mentioned herein may be trademarks of their respective owners.

While TE has made every reasonable effort to ensure the accuracy of the information in this brochure, TE does not guarantee that it is error-free, nor does TE make any other representation, warranty or guarantee that the information is accurate, correct, reliable or current. TE reserves the right to make any adjustments to the information contained herein at any time without notice. TE expressly disclaims all implied warranties regarding the information contained herein, including, but not limited to, any implied warranties of merchantability or fitness for a particular purpose. The dimensions in this catalog are for reference purposes only and are subject to change without notice. Specifications are subject to change without notice. Consult TE for the latest dimensions and design specifications.

1-1773908-6 JN 03/2017

USA: +1 (800) 522-6752
 Canada: +1 (905) 475-6222
 Mexico: +52 (0) 55-1106-0800
 Latin/S. America: +54 (0) 11-4733-2200
 Germany: +49 (0) 6251-133-1999

UK: +44 (0) 800-267666
 France: +33 (0) 1-3420-8686
 The Netherlands: +31 (0) 73-6246-999
 China: +86 (0) 400-820-6015