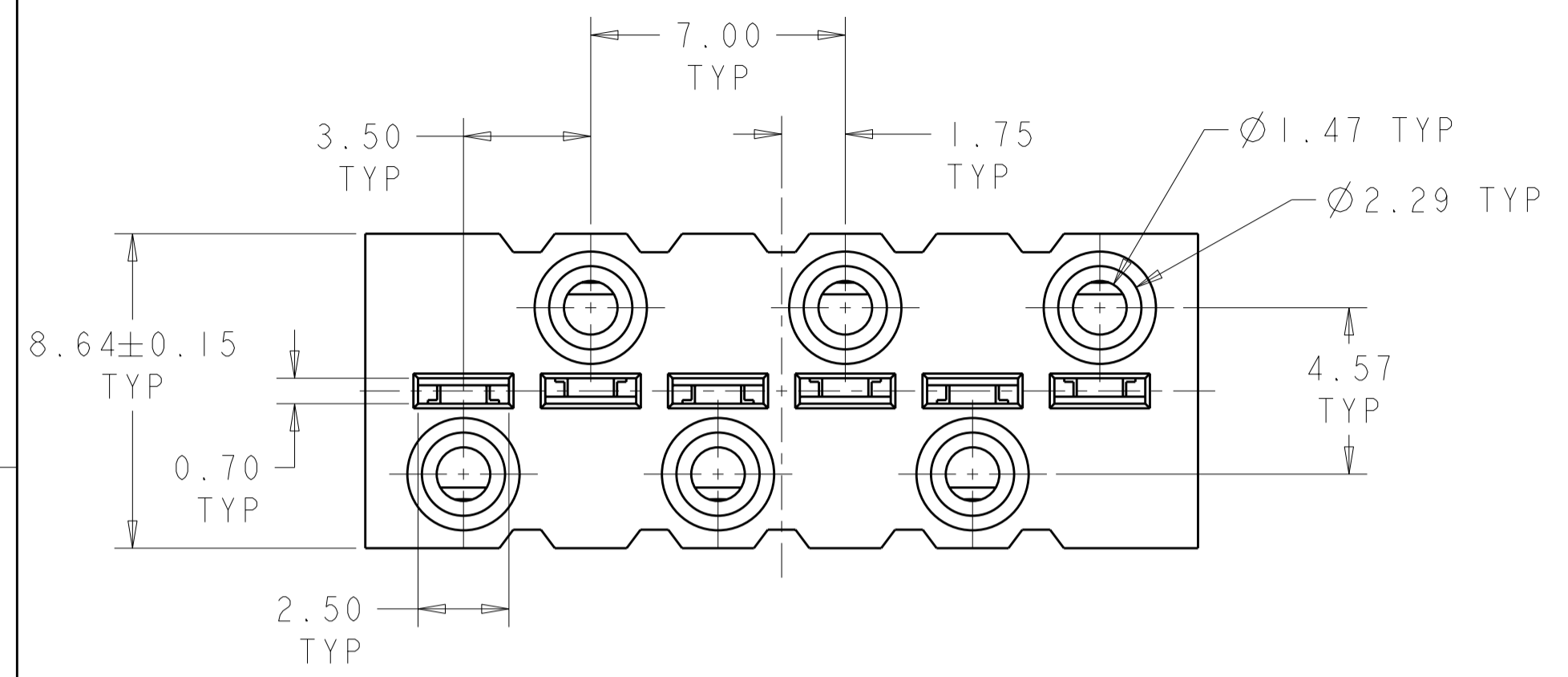
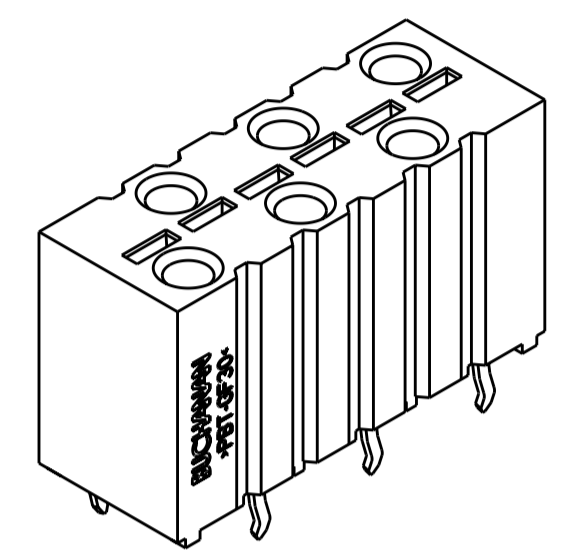


THIS DRAWING IS UNPUBLISHED. RELEASED FOR PUBLICATION 20
 © COPYRIGHT 20 BY TYCO ELECTRONICS CORPORATION. ALL RIGHTS RESERVED.

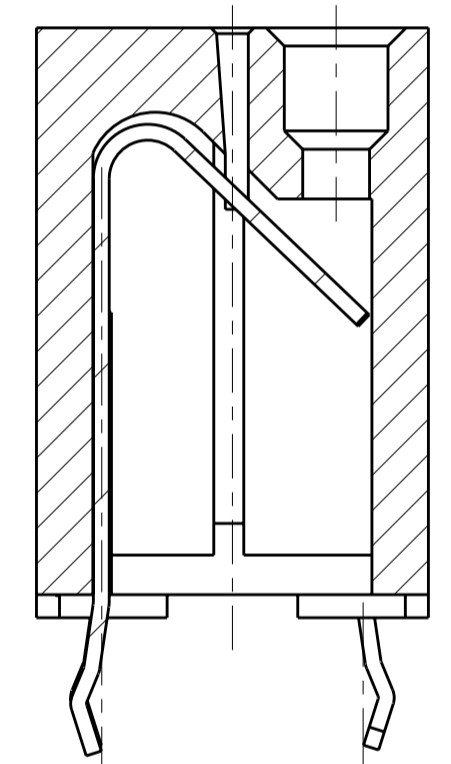
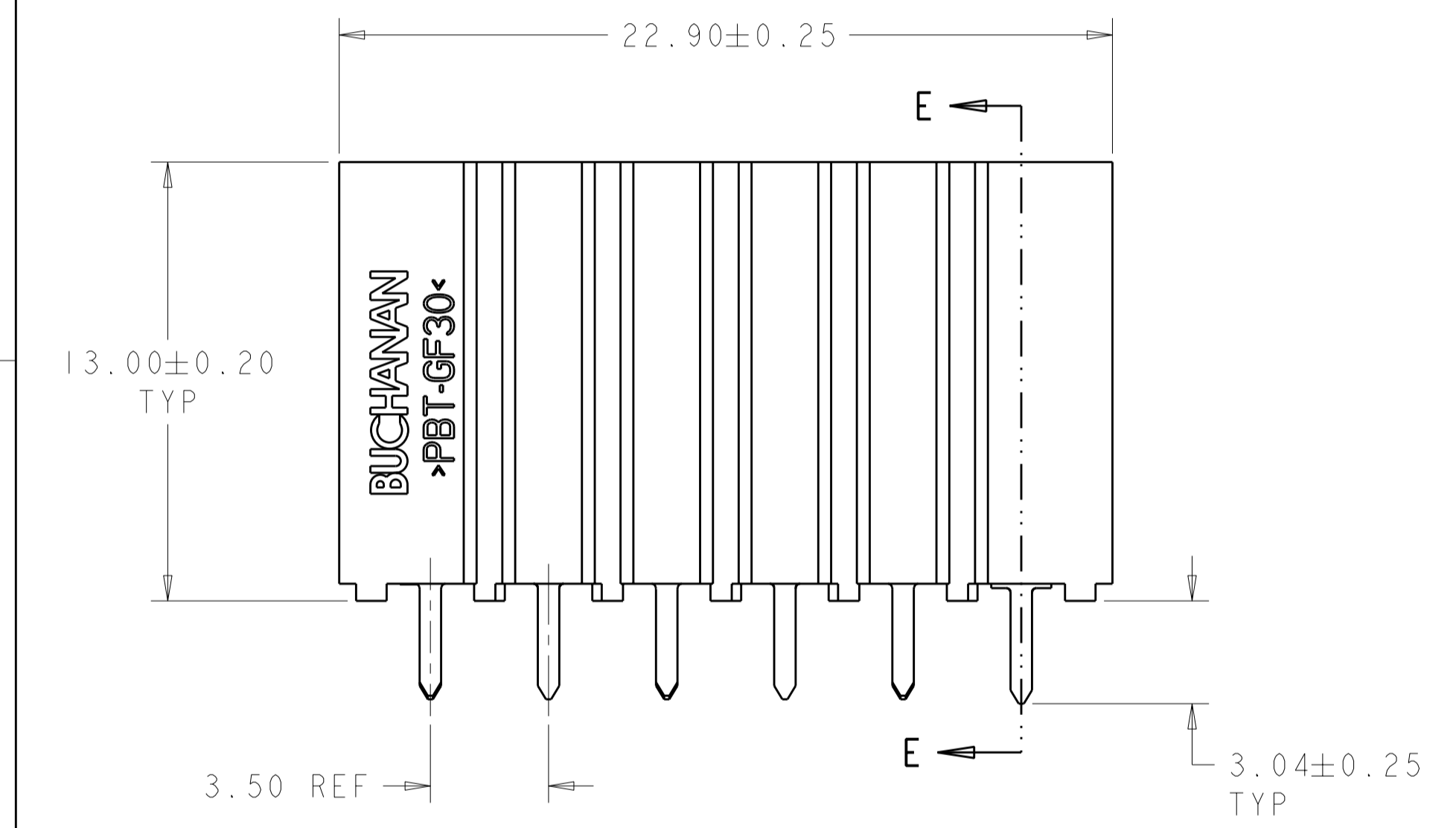
LOC	DIST	REVISIONS			
P	LTR	DESCRIPTION	DATE	DWN	APVD
FT	0				
	A2	REVISED PER ECR-10-013378	01JUL2010	HMR	DD



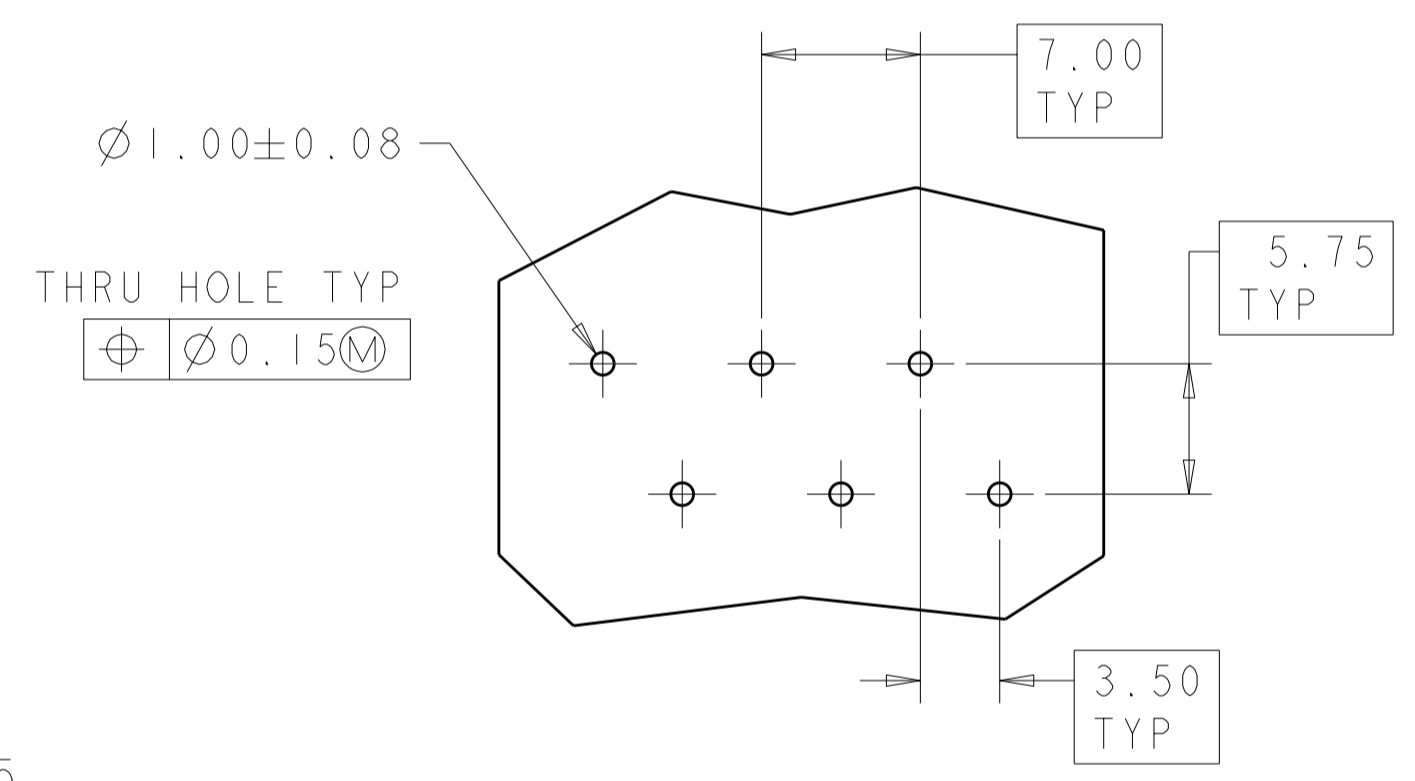
- 1 MATERIAL: HOUSING: PTB, UL94-V0, COLOR BLACK.
CONTACTS: PHOSPHOR BRONZE.
- 2 PLATING: CONTACTS: PRE TIN, 2.5µm MIN OVER 0.76µm MIN NICKEL (CONTACT EDGES WILL BE UNPLATED)
- 3 WIRE SIZE: 18AWG SOLID CONDUCTOR
Ø2.16mm MAXIMUM INSULATION.
STRIP LENGTH = 9.53±1.00.
- 4 WHEN WIRE INSULATION STRIP LENGTH IS 9.53mm, CONDUCTOR TIP WILL BE 1.08mm NOMINAL FROM BOARD SURFACE WHEN INSULATION BOTTOMS IN HOUSING CAVITY.



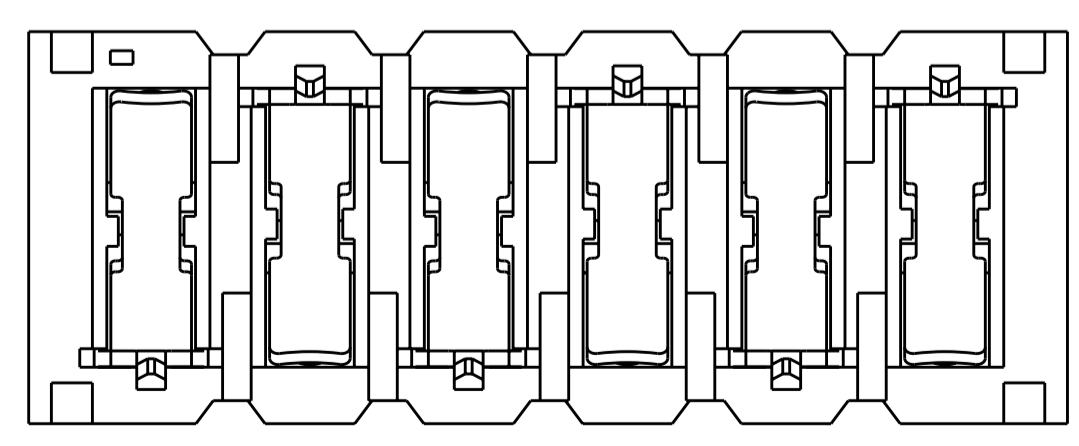
SCALE 3:1



SECTION E-E



PCB HOLE LAYOUT VIEWED FROM CONNECTOR MOUNTING SIDE SCALE 3:1



TAPE AND REEL	6	1811398-3
TUBE	6	1811398-2
TRAY	6	1811398-1
PACKAGING	NO OF POSN	PART NO

THIS DRAWING IS A CONTROLLED DOCUMENT FOR TYCO ELECTRONICS CORPORATION IT IS SUBJECT TO CHANGE AND THE CONTROLLING ENGINEERING ORGANIZATION SHOULD BE CONTACTED FOR THE LATEST REVISION.		DWN W.G.LENKER 01OCT04	Tyco Electronics Harrisburg, PA 17105-3608	
DIMENSIONS: mm		CHK JOHN LANDIS 01OCT04	NAME ASSEMBLY, WIRE CONNECTOR, SCREWLESS, VERTICAL	
TOLERANCES UNLESS OTHERWISE SPECIFIED:		APVD C.RICHARD 13SEP2005	SIZE CAGE CODE DRAWING NO RESTRICTED TO	
0 PLC ±	1 PLC ±0.5	PRODUCT SPEC 108-2059	A2 00779	1811398
2 PLC ±0.13	3 PLC ±	APPLICATION SPEC 114-13075	SCALE SHEET OF REV A2	
4 PLC ±	ANGLES ±	WEIGHT -		
MATERIAL -	FINISH -	CUSTOMER DRAWING		