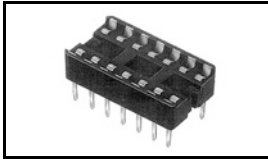


1825094-6 Product Details

[Share](#) [Print](#) [Email](#)



1825094-6

TE Internal Number:
1825094-6

 Active

DIP Sockets

 Always EU RoHS/ELV Compliant (Statement of Compliance)

Product Highlights:

- Socket Style = Standard
- Through Hole Contact Termination Type
- 2.54 mm Centerline
- Row-to-Row Spacing = 7.87 mm
- 20 Positions

[View all Features](#)

Quick Links

- ▶ [Pricing & Availability](#)
- ▶ [Search for Tooling](#)
- ▶ [Product Feature Selector](#)
- ▶ [Contact Us About This Product](#)

[Add to My Part List](#)

[Request Sample](#)

[Find Similar Products](#)

[Buy Product](#)

Documentation & Additional Information

Product Drawings:

- [DIP SOCKET ASSY, LADDER, DIPLOMATE, .300 CL, LEAD FREE](#) (PDF, English)

Catalog Pages/Data Sheets:

- None Available

Product Specifications:

- None Available

Application Specifications:

- [DIPLOMATE Dual Leaf \(DL\) Low-Profile DIP Sockets](#) (PDF, English)

Instruction Sheets:

- None Available

CAD Files:

- None Available

Additional Information:

- [Product Line Information](#)

Related Products:

- [Tooling](#)

[List all Documents](#)

Product Features (Please use the Product Drawing for all design activity)

Product Type Features:

- Profile = Standard
- [Frame Style](#) = Ladder
- [Leg Style](#) = Straight
- Color = Black

Electrical Characteristics:

- Insulation Resistance (MΩ) = 10,000
- Contact Resistance (mΩ) = 30

Termination Features:

- [Contact Termination Type](#) = Through Hole
- [Termination Post Length \(mm \[in\]\)](#) = 3.25 [0.128]

Dimensions:

- [Height Above PC Board \(mm \[in\]\)](#) = 5.33 [0.210]

Body Features:

- [Row-to-Row Spacing \(mm \[in\]\)](#) = 7.87 [0.310]
- [Mount Style](#) = Vertical

Housing Features:

- [Centerline \(mm \[in\]\)](#) = 2.54 [0.100]
- [Housing Material](#) = Thermoplastic - GF
- [UL Flammability Rating](#) = UL 94V-0

Configuration Features:

- [Number of Positions](#) = 20

Industry Standards:

- [RoHS/ELV Compliance](#) = RoHS compliant, ELV compliant
- [Lead Free Solder Processes](#) = Wave solder capable to 240°C, Wave solder capable to 260°C, Wave solder capable to 265°C
- [RoHS/ELV Compliance History](#) = Always was RoHS compliant

Conditions for Usage:

- [Temperature Range \(°C\)](#) = 125

Contact Features:

- [Socket Style](#) = Standard
- [Contact Base Material](#) = Phosphor Bronze
- [Contact Plating, Mating Area, Material](#) = Gold (15)
- [Contact Style](#) = Stamped + Formed
- [Mating Contact Type](#) = Dual Leaf
- [Solder Tail Contact Plating](#) = Tin

Operation/Application:

- Application = Production

Packaging Features:

- [Packaging Method](#) = Tube

Other:

- Brand = TE Connectivity
- Proprietary Name = DIPLOMATE DL
- Comment = ONLY sockets with straight solder tails are recommended for automatic insertion.

Corporate Information

[About TE](#)
[Investors](#)
[News Room](#)
[Supplier Portal](#)
[Careers](#)
[Terms & Conditions](#)
[Privacy Policy](#)

Quick Links

[Distributor Inventory](#)
[Product Cross Reference](#)
[Documents & Drawings](#)
[Product Compliance Support Center](#)
[Site Map](#)

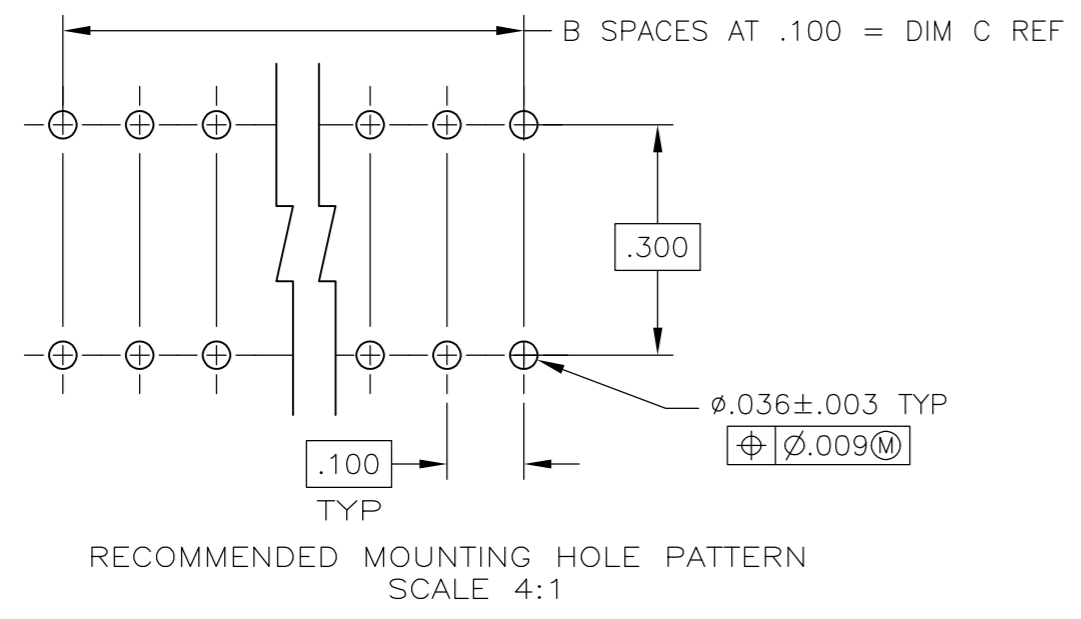
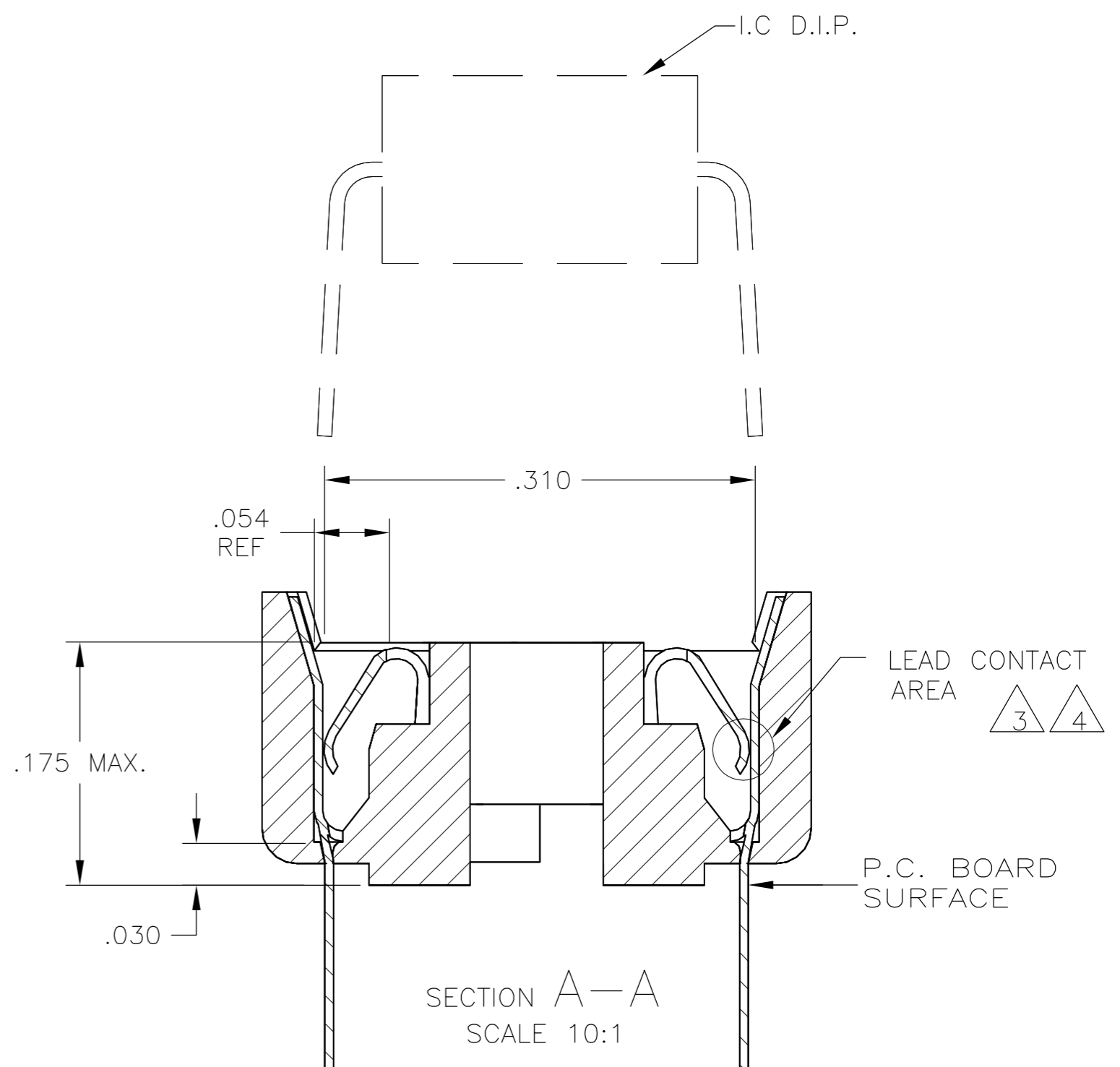
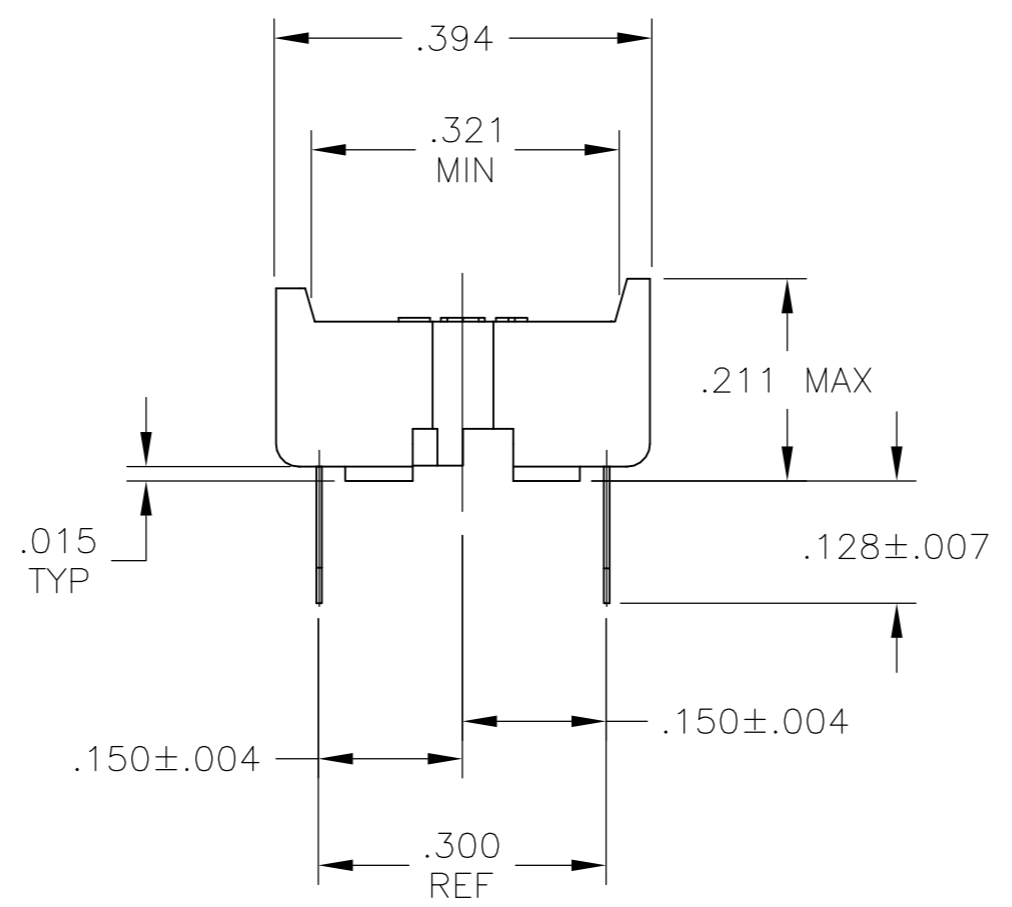
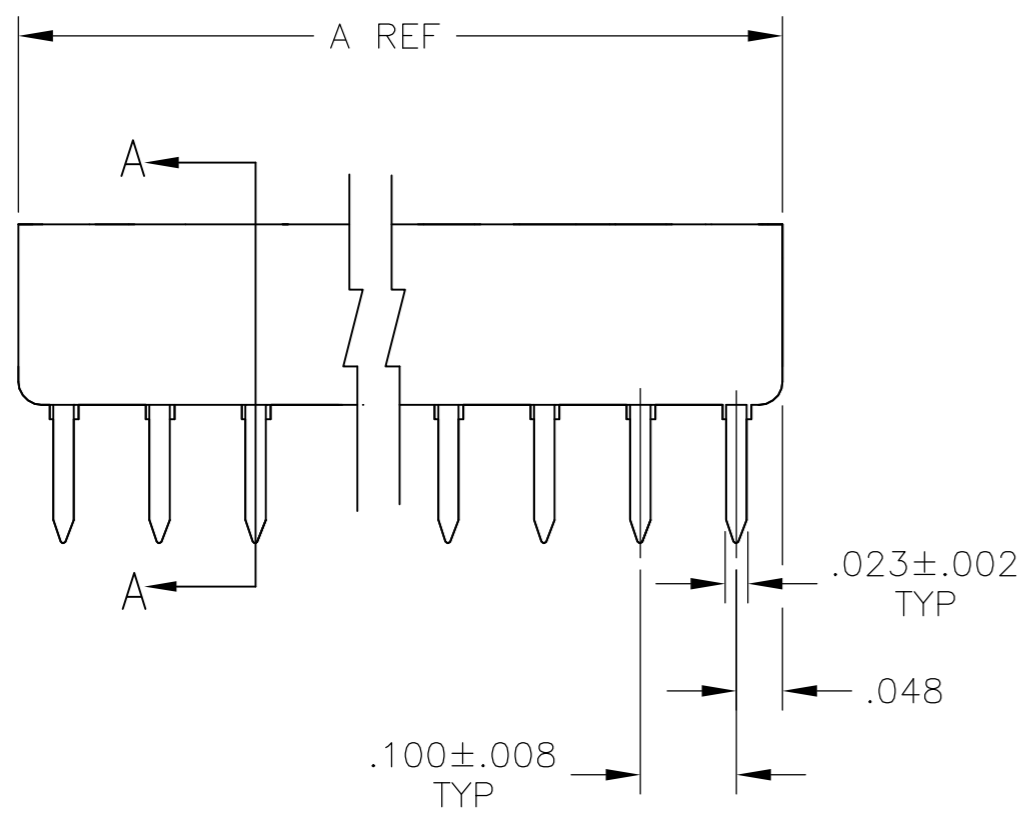
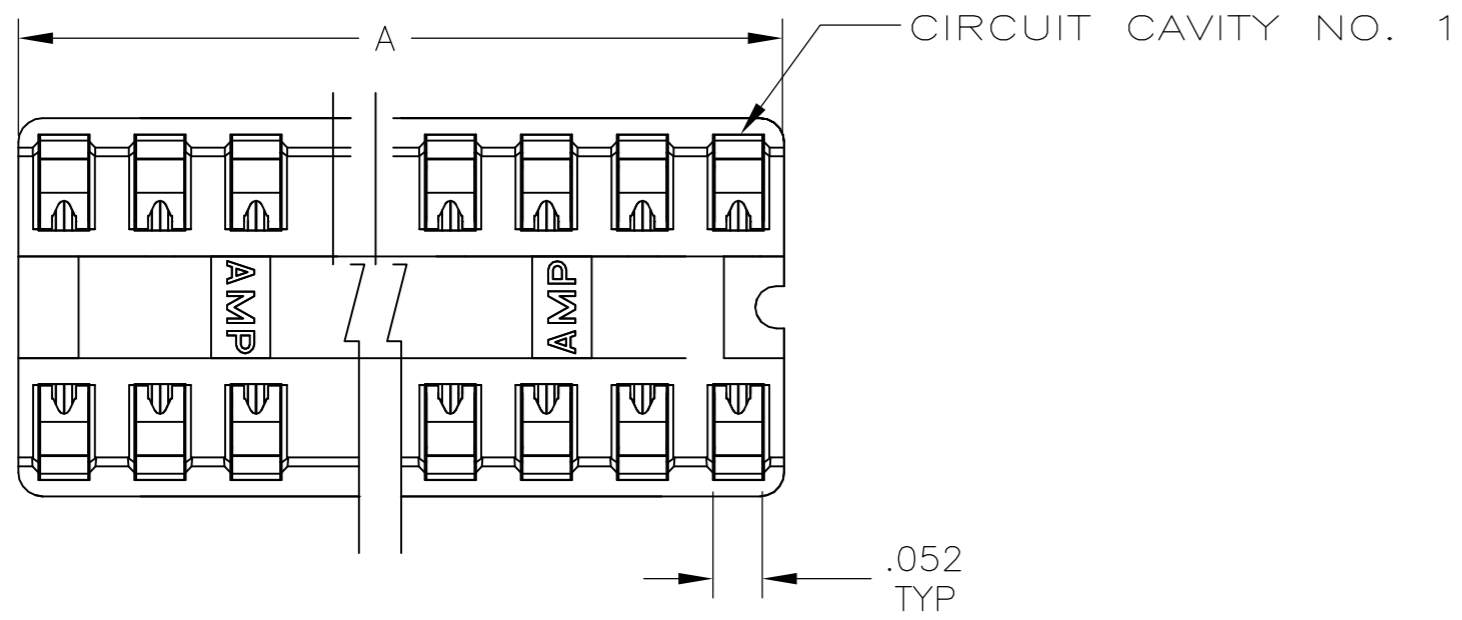
Customer Support

[Email or Chat With Us](#)
[Find a Phone Number](#)
[Knowledge Base](#)
[Manage Your Account](#)

Keep Me Informed

THIS DRAWING IS UNPUBLISHED. RELEASED FOR PUBLICATION
 © COPYRIGHT - By - ALL RIGHTS RESERVED.

LOC		DIST		REVISIONS			
P	LTR	DESCRIPTION		DATE	DWN	APVD	
AD	00	A1	REVISED PER ECO-11-004820		11MAR11	RK	HMR



- 1 RECEPTACLE ACCEPTS A .008-.014 THICK I.C. LEAD.
- 2 TUBE LOADED FOR AUTOMATIC INSERTION.
- 3 BECU CONTACT - PLATED WITH TWO .000030 MIN THK. GOLD STRIPES IN CONTACT AREA WITH TIN ON CONTACT LEGS, BALANCE OF CONTACT NICKEL PLATED.
- 4 PHOS. BRZ CONTACT - PLATED WITH TWO .000015 MIN THK. GOLD STRIPES IN CONTACT AREA WITH TIN ON CONTACT LEGS, BALANCE OF CONTACT NICKEL PLATED.
- 5 GLASS FILLED THERMOPLASTIC, 94V-0, BLACK

CONTACT & FINISH	DIM. C B	SPCS	DIM. A	POSITION	PART NO.
3	1.100	11	1.195	24	1-1825094-7
3	.900	9	.995	20	1-1825094-6
3	.800	8	.895	18	1-1825094-5
3	.700	7	.795	16	1-1825094-4
3	.600	6	.695	14	1-1825094-3
3	.300	3	.395	8	1-1825094-2
3	.200	2	.295	6	1-1825094-1
4	1.100	11	1.195	24	1825094-7
4	.900	9	.995	20	1825094-6
4	.800	8	.895	18	1825094-5
4	.700	7	.795	16	1825094-4
4	.600	6	.695	14	1825094-3
4	.300	3	.395	8	1825094-2
4	.200	2	.295	6	1825094-1

THIS DRAWING IS A CONTROLLED DOCUMENT.

DIMENSIONS: INCHES	TOLERANCES UNLESS OTHERWISE SPECIFIED:	DWN: B.S.VISWESWARA	21APR05
	0 PLC ± -	CHK: K WRIGHT	
	1 PLC ± -	APVD: -	
	2 PLC ± -	PRODUCT SPEC: 108-1066	
	3 PLC ± .005	APPLICATION SPEC: 114-1049	
	4 PLC ± -	WEIGHT: -	
	ANGLES ± 0°30'	CUSTOMER DRAWING	
MATERIAL: SEE TABLE	FINISH: SEE TABLE		
		DIP SOCKET ASSY, LADDER, DIPLOMATE, .300 CL, LEAD FREE	
		SIZE: A2	CAGE CODE: 00779
		DRAWING NO: 1825094	RESTRICTED TO: -
		SCALE: 5:1	SHEET: 1 of 1
		REV: A1	