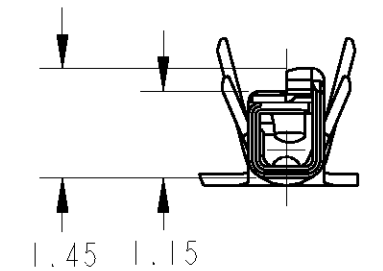
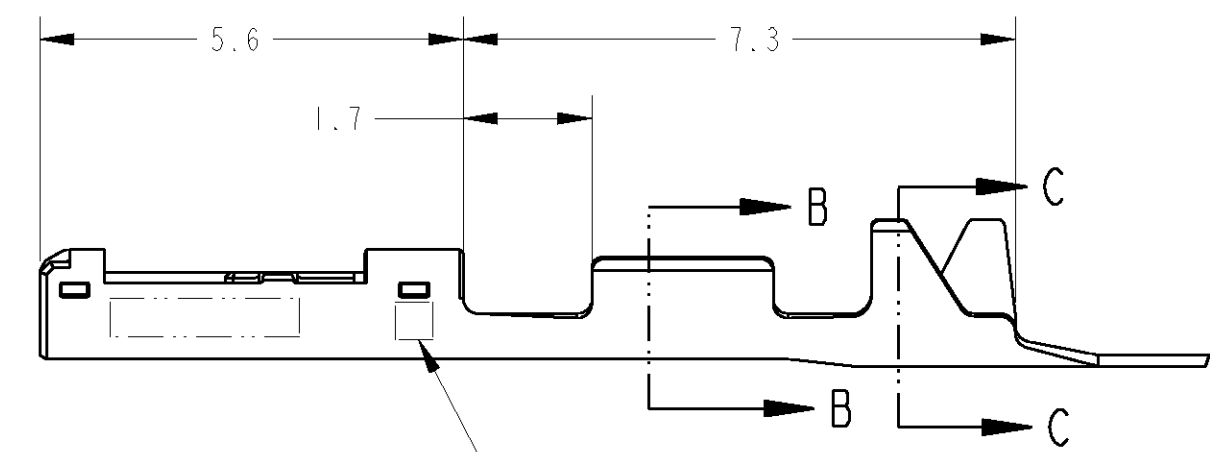
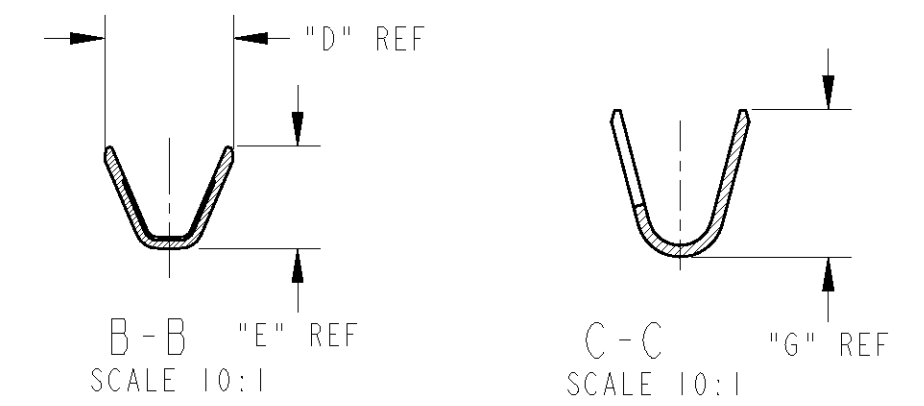
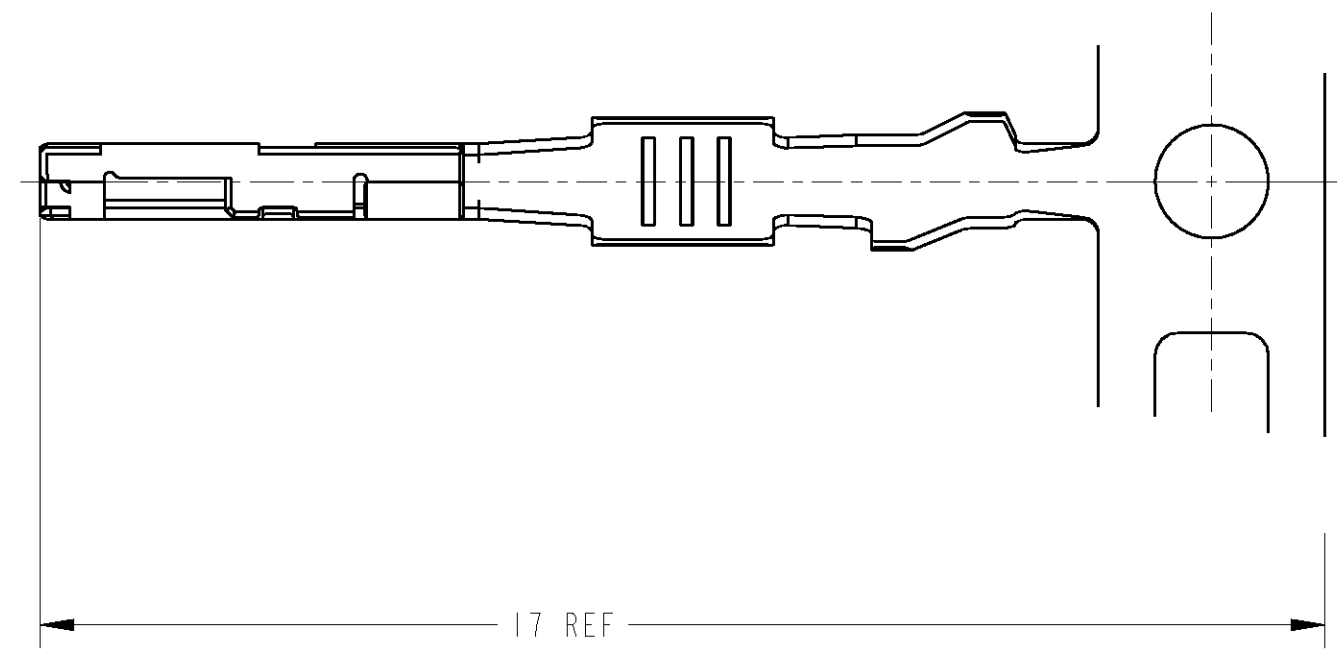


THIS DRAWING IS UNPUBLISHED. RELEASED FOR PUBLICATION 20
 © COPYRIGHT 20 BY TYCO ELECTRONICS CORPORATION. ALL RIGHTS RESERVED.

LOC	DIST	REVISIONS						
		P	LTR	DESCRIPTION	DATE	DWN	APVD	
J	-	A		RELEASED	ECR-08-017654	22JUL08	YS	HY



1. 適用電線; CHFUS 0.13~0.5mm²
 2. 圧着作業については、下記の規格を参照すること
取付適用規格; 114-5379
 3. アプリケータ送りピッチ; 7mm
1. APPLICABLE WIRE RANGE; CHFUS 0.13~0.5mm²
 2. MUST BE REFERRED TO THE FOLLOWING DOCUMENTS FOR CRIMPING OPERATION
APPLICATION SPEC; 114-5379
 3. APPLICATOR FEED; 7mm

BARREL SIZE MARK
(SEE TABLE)

	Ø0.85~0.95	0.13mm ²	1.74	1.82	1.26	1.7	S	0.50 REC (S)	1827855-4
	Ø1.3~1.5	0.22~0.35mm ²	2.45	2.1	1.35	1.7	C	0.50 REC (C)	1827855-3
	Ø1.1~1.4	0.35~0.5mm ²	2.45	2.1	1.7	1.8	L	0.50 REC (L)	1827855-2
1903365-1	Ø0.95~1.2	0.22~0.35mm ²	1.95	1.82	1.35	1.7	M	0.50 REC (M)	1827855-1
LOOSE PIECE	INS RANGE	WIRE RANGE	G	F	E	D	BARREL SIZE MARK	NAME	PART NO

THIS DRAWING IS A CONTROLLED DOCUMENT FOR TYCO ELECTRONICS CORPORATION. IT IS SUBJECT TO CHANGE AND THE CONTROLLING ENGINEERING ORGANIZATION SHOULD BE CONTACTED FOR THE LATEST REVISION.

DIMENSIONS: 単位: 毫 mm	TOLERANCES UNLESS OTHERWISE SPECIFIED: 一般公差 ±0.3 0-PLC ± 1-PLC ±0.3 2-PLC ±0.10 3-PLC ±0.001 4-PLC ±0.001 ANGLES ±3'00"	DWN Y. SUEMITSU 25APR05 CHK K. SAKAMAKI 25APR05 APVD S. ISOHATA 25APR05	Tyco Electronics AMP K.K. Kawasaki, Japan
MATERIAL 材料 COPPER ALLOY	FINISH 仕上 PRE-TIN	PRODUCT SPEC 108-78208 APPLICATION SPEC 114-5379 WEIGHT 0.1 g	

NAME 名称 RECEPTACLE CONTACT, CRIMP TYPE, 0.50 SERIES
メス端子, 圧着タイプ, 0.50シリーズ

SIZE A3	CAGE CODE 00779	DRAWING NO 番号 1827855	RESTRICTED TO -
---------	-----------------	-----------------------	-----------------

CUSTOMER DRAWING SCALE 10:1 SHEET 1 OF 1 REV A

Mouser Electronics

Authorized Distributor

Click to View Pricing, Inventory, Delivery & Lifecycle Information:

[TE Connectivity:](#)

[1827855-2](#)