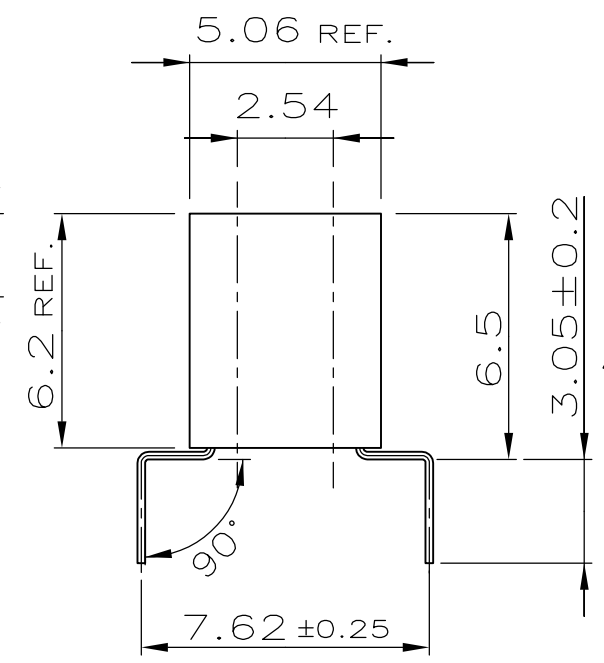
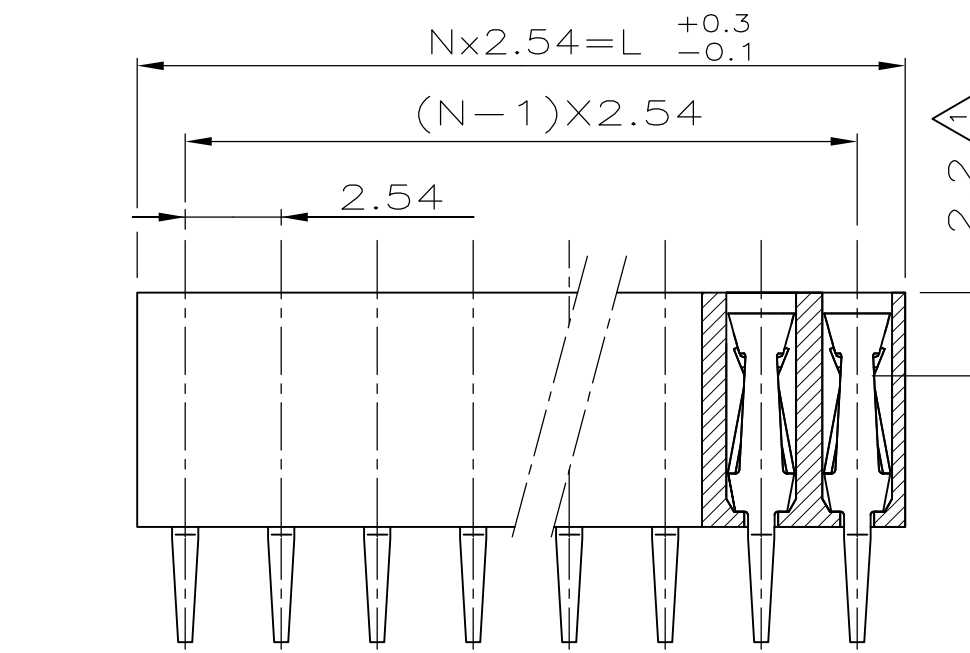


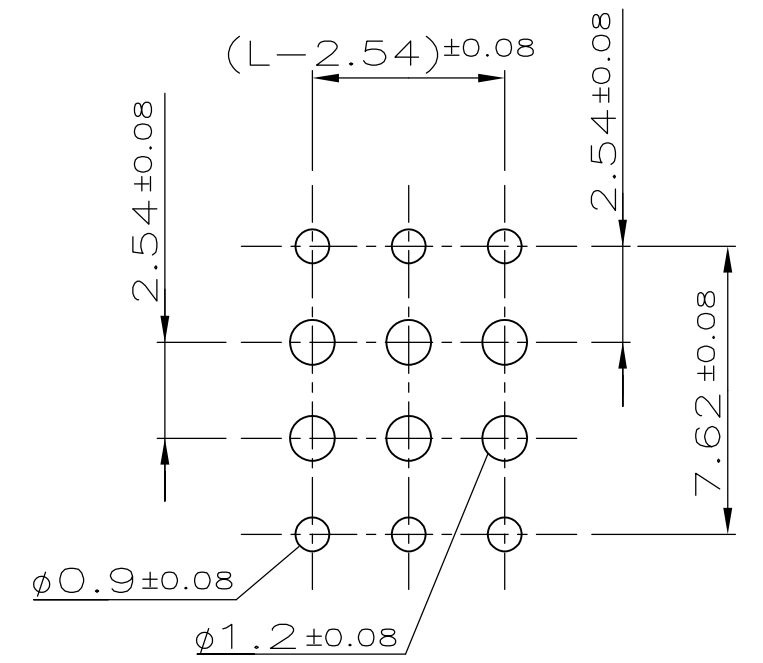
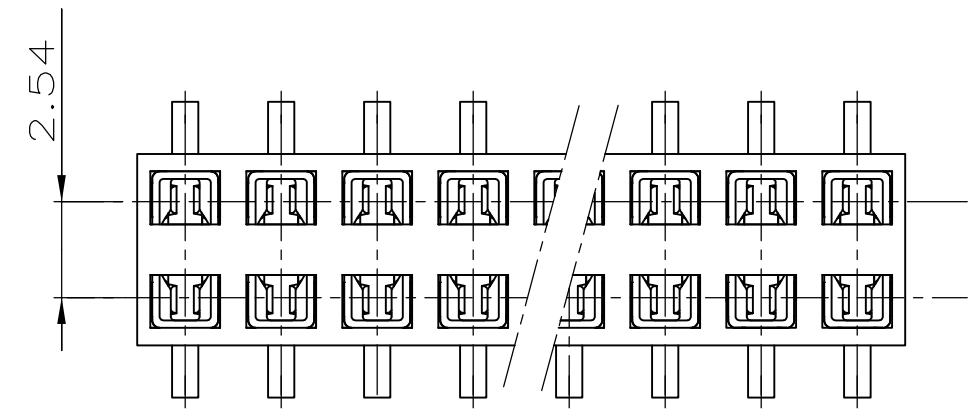
THIS DRAWING IS UNPUBLISHED. RELEASED FOR PUBLICATION  
 © COPYRIGHT - By - ALL RIGHTS RESERVED.

LOC	DIST	REVISIONS			
P	LTR	DESCRIPTION	DATE	DWN	APVD
A1	-				
	D	Hsg mat change to readily available PBT resin	06JAN2014	PS	JK

POS. PER ROW 'N'	L	PART NUMBER	
-	-	-	-
2	5.08	829 264-2	
3	7.62		-3
4	10.16		-4
5	12.70		-5
6	15.24		-6
7	17.78		-7
8	20.32		-8
9	22.86		-9
10	25.40	1-	-0
11	27.94	1-	-1
12	30.48	1-	-2
13	33.02	1-	-3
14	35.56	1-	-4
15	38.10	1-	-5
16	40.64	1-	-6
17	43.18	1-	-7
18	45.72	1-	-8
19	48.26	1-	-9
20	50.80	2-	-0
21	53.34	2-	-1
22	55.88	2-	-2
23	58.42	2-	-3
24	60.96	2-	-4
25	63.50	2-	-5
26	66.04	2-	-6
27	68.58	2-	-7
28	71.12	2-	-8
29	73.66	2-	-9
30	76.20	3-	-0
31	78.74	3-	-1
32	81.28	3-	-2
33	83.82	3-	-3
34	86.36	3-	-4
35	88.90	3-	-5
36	91.44	3- 829 264-6	-6



- NOTES:
- ① CONTACT-POINT.
  - ② PLATING: UNDERCOATING: 1.3 μm Ni.  
AT CONT.PLACE: 0.8 μm Au.  
AT SOLDER-TYNES: 3.0-5.0 μm Sn
  - 3. RECOMMENDED P.C.BOARD-THICKNESS: 1.6 mm
  - 4. MATES WITH 0.63 SQUARE/ROUND MODU POSTS.
  - 5. HV100 CONNECTOR PACKED IN ANTI-STATIC BLISTER TRAY
  - ⑥ OBSOLETE PARTS: OBSOLETE CIS STREAMLINING PER D.RENAUD/D.SINISI



P.C.-BOARD HOLE-PATTERN

HV 100 CONTACT	CuSn	②
HV 100 HOUSING	PBT	GREEN
DESCRIPTION	MATERIAL	FINISH /COLOR

THIS DRAWING IS A CONTROLLED DOCUMENT.	
DIMENSIONS: mm	TOLERANCES UNLESS OTHERWISE SPECIFIED: ±0.15
	0 PLC ± - 1 PLC ± - 2 PLC ± - 3 PLC ± - 4 PLC ± - ANGLES ± 3'
MATERIAL SEE TABLE	FINISH SEE TABLE

DWN A.HO 26.05.88	<b>STE</b> TE Connectivity			
CHK M.SCHAARSCHMIDT 06.12.90				
APVD -	NAME HV100 CONN. VERTICAL, 6.2mm TOP ENTRY, DUAL ROW, GOLD			
PRODUCT SPEC 108-19056	SIZE A3	CAGE CODE 00779	DRAWING NO C-829264	RESTRICTED TO -
APPLICATION SPEC -	CUSTOMER DRAWING		SCALE 5:1	SHEET 1 OF 1
WEIGHT -			REV D	