



**Have a Question?**  
 Chat with a Product  
 Information Specialist

What can we help you find?

[Products](#) | 
 [Industries](#) | 
 [Resources](#) | 
 [About TE](#) | 
 [My Account](#) | 
 [Innovation](#) | 
 [Support Center](#)

## 1838258-3 Product Details

[Share](#) | 
 [Print](#) | 
 [Email](#)



**1838258-3**

TE Internal Number: 1838258-3

Active

[View 3D PDF](#)

### M8/M12 Connector System

Always EU RoHS/ELV Compliant (Statement of Compliance)

#### Product Highlights:

- Cable Assembly
- Receptacle
- Single Ended Configuration
- Wire Size = 0.34 (22 AWG) mm<sup>2</sup> [AWG]
- With Environmental Protection

[View all Features](#)

### Quick Links

- ▶ [Pricing & Availability](#)
- ▶ [Search for Tooling](#)
- ▶ [Product Feature Selector](#)
- ▶ [Contact Us About This Product](#)

[Add to My Part List](#) | 
 [Request Sample](#) | 
 [Find Similar Products](#) | 
 [Buy Product](#)

### Documentation & Additional Information

#### Product Drawings:

- [M12 RIGHT ANGLED FEMALE CONNECTOR 5 POSITION, PVC CABLE \(PDF, English\)](#)

#### Catalog Pages/Data Sheets:

- None Available

#### Product Specifications:

- None Available

#### Application Specifications:

- None Available

#### Instruction Sheets:

- None Available

#### CAD Files: [\(CAD Format & Compression Information\)](#)

- [2D Drawing \(DXF, Version B\)](#)
- [3D Model \(IGES, Version B\)](#)
- [3D Model \(STEP, Version B\)](#)

[List all Documents](#)

#### Additional Information:

- [Product Line Information](#)

#### Related Products:

- [Tooling](#)

### Product Features (Please use the Product Drawing for all design activity)

#### Product Type Features:

- [Product Type](#) = Cable Assembly
- [Connector Type](#) = Receptacle
- [Wire Size \(mm<sup>2</sup> \[AWG\]\)](#) = 0.34 (22 AWG)
- [Thread Size](#) = M12
- [Mount Angle](#) = Right Angle
- [LED](#) = Without

#### Electrical Characteristics:

- [Shielded](#) = No

#### Dimensions:

- [Cable Length \(M \[ft\]\)](#) = 5.00 [16.404]

#### Body Features:

- [Cable Color](#) = Black
- [Connector Color](#) = Black
- [Insulation Material](#) = PVC
- [Wire Color](#) = Brown, White, Blue, Black, Green

#### Configuration Features:

- [Configuration](#) = Single Ended
- [Environmental Protection](#) = With
- [Number of Positions](#) = 5

#### Industry Standards:

- [RoHS/ELV Compliance](#) = RoHS compliant, ELV compliant
- [Lead Free Solder Processes](#) = Not relevant for lead free process
- [RoHS/ELV Compliance History](#) = Always was RoHS compliant

#### Operation/Application:

- [Application](#) = Sensors

#### Packaging Features:

- [Packaging Quantity](#) = 20

#### Other:

- [Brand](#) = TE Connectivity

### Corporate Information

- [About TE](#)
- [Investors](#)
- [News Room](#)
- [Supplier Portal](#)
- [Careers](#)

### Quick Links

- [Distributor Inventory](#)
- [Product Cross Reference](#)
- [Documents & Drawings](#)
- [Product Compliance Support Center](#)
- [Site Map](#)

### Customer Support

- [Email or Chat With Us](#)
- [Find a Phone Number](#)
- [Knowledge Base](#)
- [Manage Your Account](#)

THIS DRAWING IS UNPUBLISHED. RELEASED FOR PUBLICATION AUG ,2005.

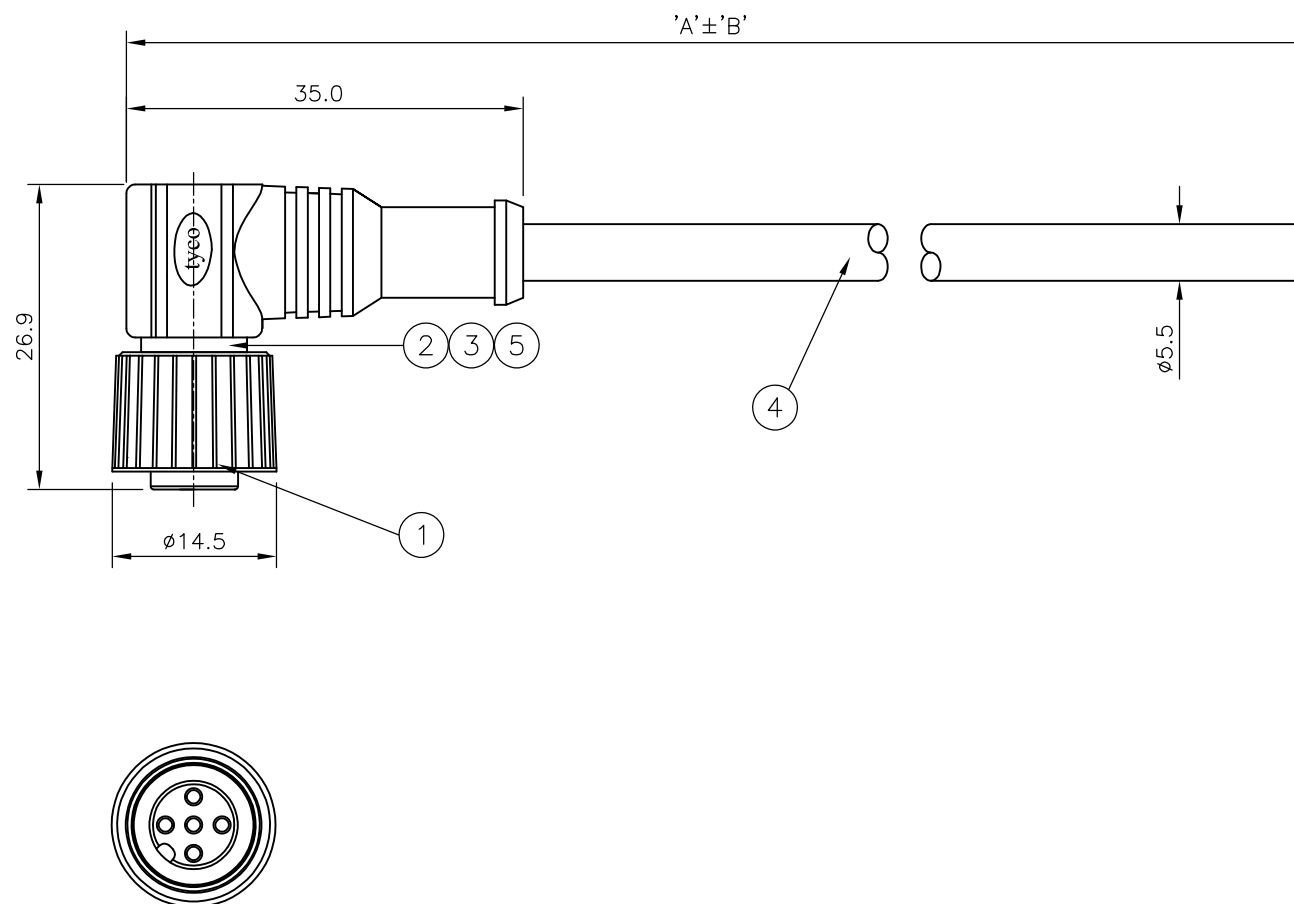
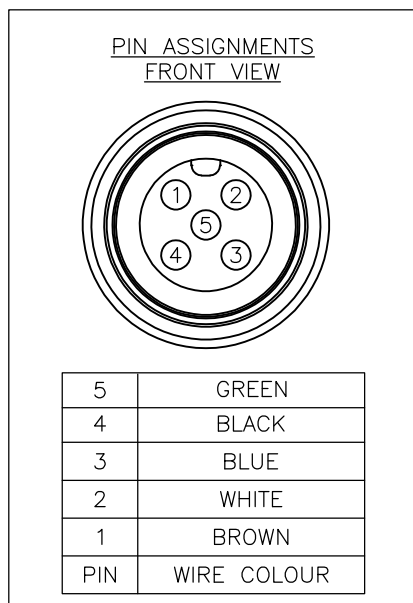
© COPYRIGHT 2005 BY TYCO ELECTRONICS CORPORATION. ALL RIGHTS RESERVED.

LOC	DIST	REVISIONS					
E	B	P	LTR	DESCRIPTION	DATE	DWN	APVD
		B		ECR-07-011908	16/05/07	AM	FWK

NOTES:

- ELECTRICAL DATA: CONTACT RESISTANCE: 10 mOhm MAX  
INSULATION RESISTANCE: 100 MOhm MIN at 500VDC  
CURRENT RATING: 5 AMPS  
BREAKDOWN VOLTAGE: 500 VAC MIN PER MINUTE
- ENVIRONMENTAL: OPERATING TEMPERATURE: -20°C TO +80°C  
SEALING REQUIREMENTS: IP67
- PROD SPEC: 108-3641
- PACKAGING: 107-3334
- FOR TECHNICAL DATA REFER TO YOUR LOCAL TYCO ELECTRONICS SALES OFFICE
- ALL DIMENSIONS ARE NOMINAL FOR REFERENCE ONLY UNLESS OTHERWISE STATED

ITEM	DESCRIPTION	MATERIAL	FINISH/COLOUR	QTY
1	SCREW NUT	ZINC DIE CAST	2.5µm NICKEL PLATED	1
2	CONNECTOR BODY	POLYURETHANE	BLACK	1
3	SOCKET CONTACT	BRASS	0.15µm GOLD PLATED OVER NICKEL	5
4	5 CORE CABLE (CORES 22AWG TO UL2464)	PVC JACKET UV RESISTANT	BLACK	1
5	'O' RING	VITON	GREEN	1



10000	500 mm	M12 RIGHT ANGLED FEMALE CONNECTOR 10.0m CABLE	1838258-5
7000	350 mm	M12 RIGHT ANGLED FEMALE CONNECTOR 7.0m CABLE	1838258-4
5000	250 mm	M12 RIGHT ANGLED FEMALE CONNECTOR 5.0m CABLE	1838258-3
3000	150 mm	M12 RIGHT ANGLED FEMALE CONNECTOR 3.0m CABLE	1838258-2
2000	100 mm	M12 RIGHT ANGLED FEMALE CONNECTOR 2.0m CABLE	1838258-1
DIM A	TOL 'B'	DESCRIPTION	PART NUMBER

THIS DRAWING IS A CONTROLLED DOCUMENT.		DWN H M RAGHAVENDRA 22AUG05	Tyco Electronics Corporation Bideford, UK, EX39 4HE	
DIMENSIONS: mm		CHK F.WHEELER-KING 15DEC05	NAME M12 RIGHT ANGLED FEMALE CONNECTOR 5 POSITION, PVC CABLE	
		APVD F.WHEELER-KING 15DEC05	SIZE A3	
TOLERANCES UNLESS OTHERWISE SPECIFIED:		PRODUCT SPEC	CAGE CODE	DRAWING NO
0 PLC ± -		APPLICATION SPEC	00779	1838258
1 PLC ± -		WEIGHT	RESTRICTED TO	
2 PLC ± -			-	
3 PLC ± -		CUSTOMER DRAWING		
4 PLC ± -		SCALE NTS		
ANGLES ± -		SHEET 1 OF 1		
FINISH -		REV B		