



Have a Question?
Chat with a Product Information Specialist

What can we help you find?

[Products](#) [Industries](#) [Resources](#) [About TE](#) [My Account](#) [Innovation](#) [Support Center](#)

1838274-3 Product Details

[Share](#) [Print](#) [Email](#)



1838274-3

TE Internal Number: 1838274-3

Active

[View 3D PDF](#)

M8/M12 Connector System

Always EU RoHS/ELV Compliant (Statement of Compliance)

Product Highlights:

- Connector
- Receptacle
- Field Serviceable
- 5 Positions
- Connector Color = Black

[View all Features](#)

Quick Links

- ▶ [Pricing & Availability](#)
- ▶ [Search for Tooling](#)
- ▶ [Product Feature Selector](#)
- ▶ [Contact Us About This Product](#)

[Add to My Part List](#) [Request Sample](#) [Find Similar Products](#) [Buy Product](#)

Documentation & Additional Information

Product Drawings:

- [M12 FIELD SERVICEABLE CONNECTOR, FEMALE SOCKET, SOLD...](#) (PDF, English)

Catalog Pages/Data Sheets:

- None Available

Product Specifications:

- None Available

Application Specifications:

- None Available

Instruction Sheets:

- None Available

CAD Files: ([CAD Format & Compression Information](#))

- [2D Drawing](#) (DXF, Version C)
- [3D Model](#) (IGES, Version C)
- [3D Model](#) (STEP, Version C)

[List all Documents](#)

Additional Information:

- [Product Line Information](#)

Related Products:

- [Tooling](#)

Product Features (Please use the Product Drawing for all design activity)

Product Type Features:

- [Product Type](#) = Connector
- Connector Type = Receptacle
- Thread Size = M12
- [LED](#) = Without

Mechanical Attachment:

- Mount = Cable

Body Features:

- Connector Color = Black

Configuration Features:

- [Number of Positions](#) = 5

Industry Standards:

- [RoHS/ELV Compliance](#) = RoHS compliant, ELV compliant
- [Lead Free Solder Processes](#) = Hand solderable with lead free solder
- [RoHS/ELV Compliance History](#) = Always was RoHS compliant

Conditions for Usage:

- [Field Serviceable](#) = Yes

Operation/Application:

- [Application](#) = Sensors

Packaging Features:

- [Packaging Quantity](#) = 20

Other:

- [Brand](#) = TE Connectivity

Corporate Information

- [About TE](#)
- [Investors](#)
- [News Room](#)
- [Supplier Portal](#)
- [Careers](#)
- [Terms & Conditions](#)
- [Privacy Policy](#)

Quick Links

- [Distributor Inventory](#)
- [Product Cross Reference](#)
- [Documents & Drawings](#)
- [Product Compliance Support Center](#)
- [Site Map](#)

Customer Support

- [Email or Chat With Us](#)
- [Find a Phone Number](#)
- [Knowledge Base](#)
- [Manage Your Account](#)

Keep Me Informed

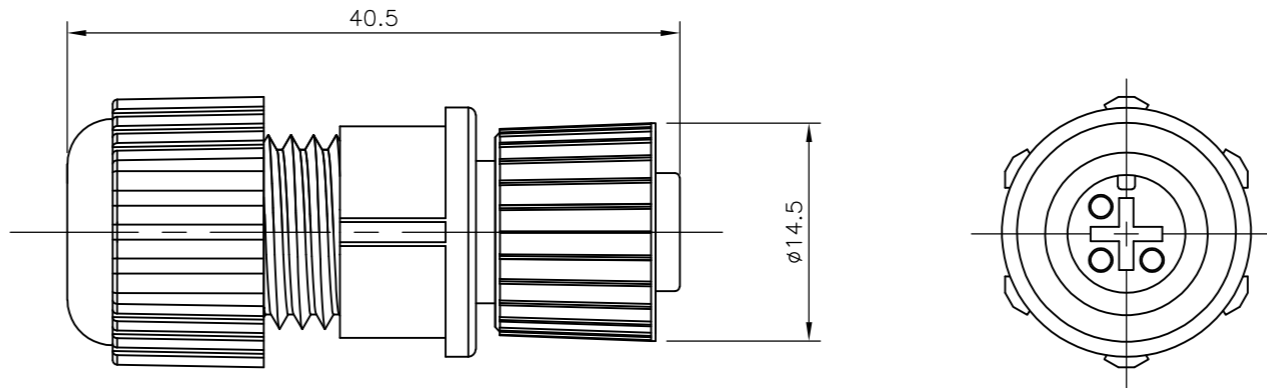
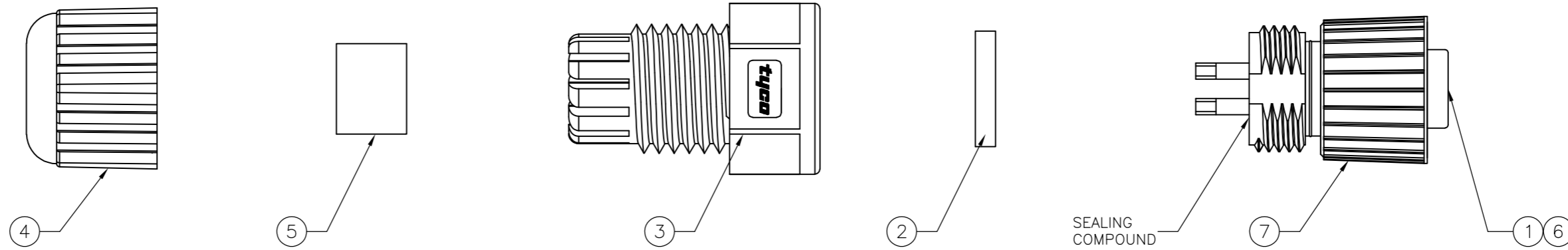
THIS DRAWING IS UNPUBLISHED. RELEASED FOR PUBLICATION
 © COPYRIGHT - By - ALL RIGHTS RESERVED.

LOC	DIST	REVISIONS					
E	B	P	LTR	DESCRIPTION	DATE	DWN	APVD
		C1		REVISED PER ECO-11-005150	21MAR11	RK	HMR

NOTES:

- ELECTRICAL DATA: CONTACT RESISTANCE: 10 mOhm MAX
 INSULATION RESISTANCE: 100 MOhm MIN at 500VDC
 CURRENT RATING: 5 AMPS (FOR 3, 4 AND 5 POSITIONS) AND 2 AMPS (FOR 8 POSITION ONLY)
 BREAKDOWN VOLTAGE: 500 VAC MIN PER MINUTE
- ENVIRONMENTAL: OPERATING TEMPERATURE: -25°C TO +90°C
 SEALING REQUIREMENTS: IP67
- PACKAGING: 107-3334
- SEAL FOR CABLE OD: $\phi 4.5\text{mm}$ - $\phi 6.5\text{mm}$
- FOR TECHNICAL DATA REFER TO YOUR LOCAL TE CONNECTIVITY SALES OFFICE.
- ALL DIMENSIONS ARE FOR NOMINAL REFERENCE ONLY UNLESS OTHERWISE STATED.

ITEM	DESCRIPTION	MATERIAL	FINISH/COLOUR	QUANTITY / ITEM		
				-1	-2	-3
1	CONNECTOR HOUSING	GF NYLON	BLACK	1	1	1
2	GASKET	SILICONE	BLACK	1	1	1
3	CONNECTOR BODY	GF NYLON	BLACK	1	1	1
4	SEALING NUT	GF NYLON	BLACK	1	1	1
5	SEAL	EPDM	BLACK	1	1	1
6	SOCKET CONTACT	BRASS	0.15 μm GOLD OVER NICKEL	3	4	5
7	SCREW NUT	ZINC DIE CAST	2.5 μm NICKEL PLATED	1	1	1
8	'O' RING	VITON	GREEN	1	1	1

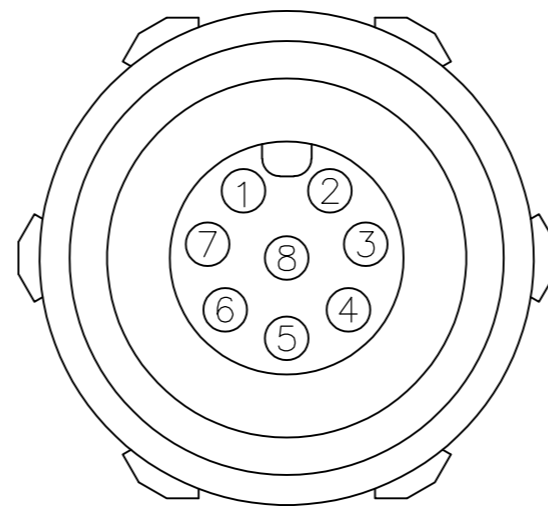
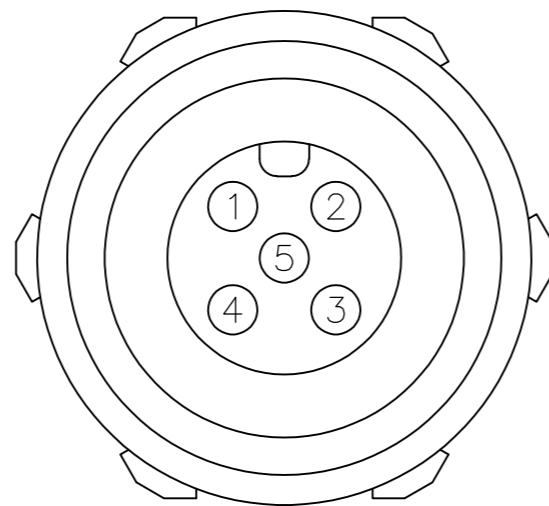
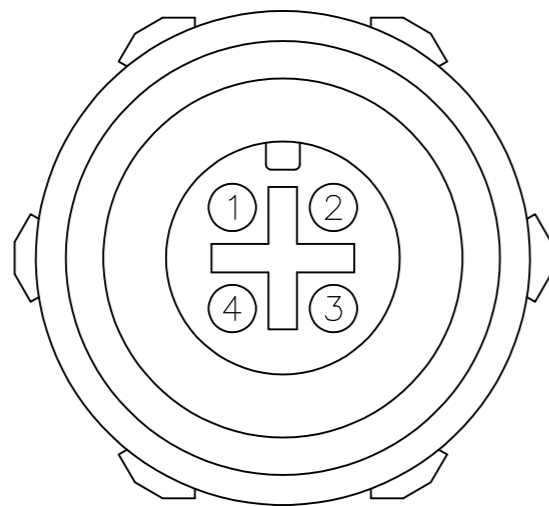
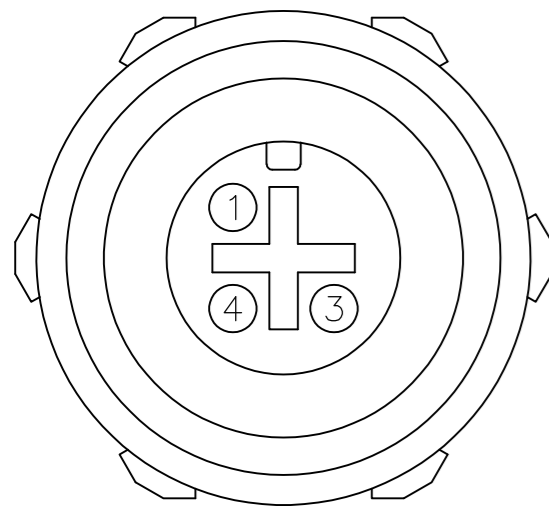


1838274-1
PIN ASSIGNMENTS
FRONT VIEW

1838274-2
PIN ASSIGNMENTS
FRONT VIEW

1838274-3
PIN ASSIGNMENTS
FRONT VIEW

1838274-4
PIN ASSIGNMENTS
FRONT VIEW



M12 FIELD SERVICEABLE CONNECTOR, FEMALE SOCKET, SOLDER TYPE	8	1838274-4
M12 FIELD SERVICEABLE CONNECTOR, FEMALE SOCKET, SOLDER TYPE	5	1838274-3
M12 FIELD SERVICEABLE CONNECTOR, FEMALE SOCKET, SOLDER TYPE	4	1838274-2
M12 FIELD SERVICEABLE CONNECTOR, FEMALE SOCKET, SOLDER TYPE	3	1838274-1
DESCRIPTION	NO. OF POS	PART NUMBER

THIS DRAWING IS A CONTROLLED DOCUMENT.

DWN	A. Morey	14MAR06
CHK	F. Wheeler-King	12APR06
APVD	F. Wheeler-King	12APR06
PRODUCT SPEC		
APPLICATION SPEC		
WEIGHT	-	
CUSTOMER DRAWING		

TE Connectivity

M12 FIELD SERVICEABLE CONNECTOR, FEMALE SOCKET, SOLDER TYPE

SIZE: A2 CAGE CODE: 00779 DRAWING NO: C=1838274 RESTRICTED TO: -

SCALE: NTS SHEET: 1 OF 1 REV: C1