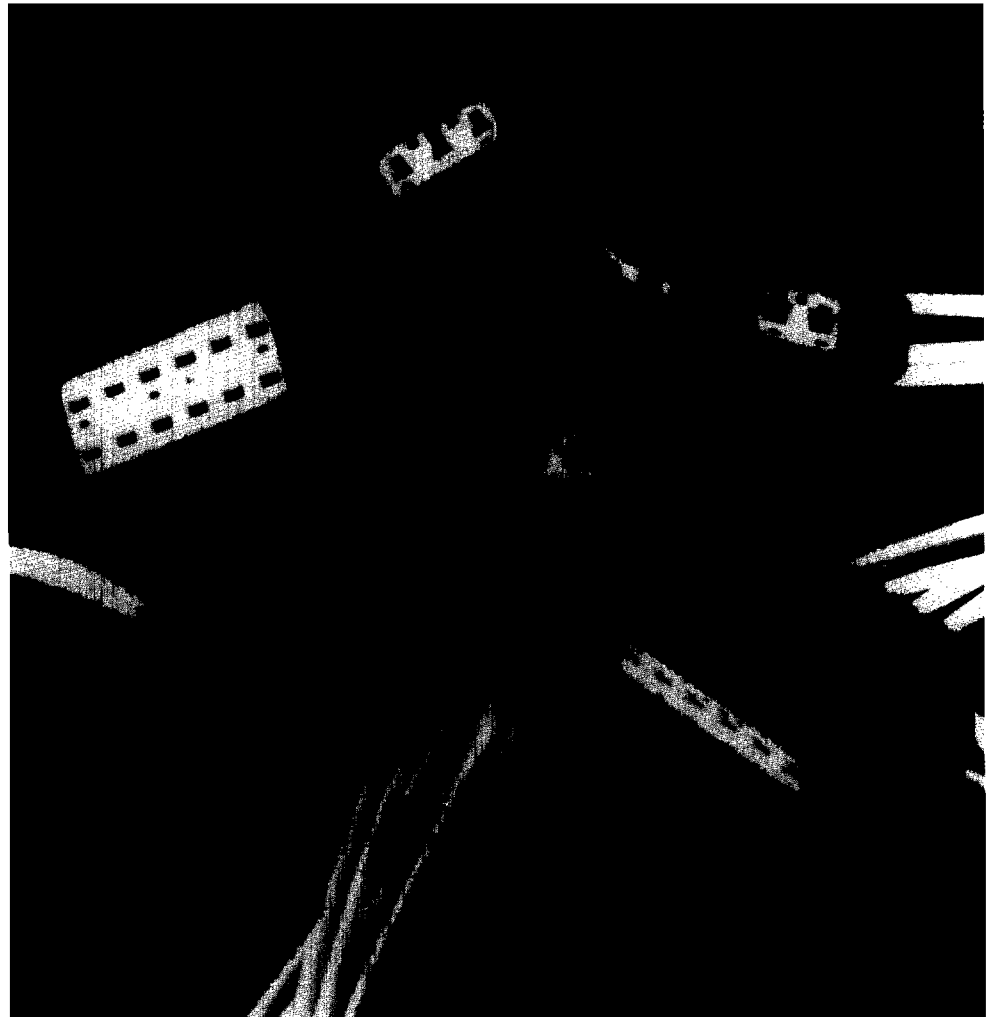


## SSC (Sealed Sensor Connector) System

### Features

- Robust housing, glass filled PBT for high temperature applications
- Terminal Position Assurance (TPA) to assure proper position of contact in housing
- Damage protected internal silicone seal interface
- Industry common .070 series receptacle and tab available in gold or tin plate
- High density 5mm centerline spacing
- Audible "Click" during mating
- Multiple positions available
- Multiple keying and housing colors available



### Technical Documents:

**Product Specification:**

108-1790

**Application Specification:**

114-8004

The AMP SSC System has been developed to meet the severe requirements of the automotive under hood environment.

However, the system's water-proof and high temperature capabilities make it ideal for many different severe environmental applications.

Both the wire seal and the connector seal ring are made of high temperature silicone and have 3 sealing ridges on their external circumferences for effective sealing and ease of assembly and connector mating.

Wire sealing is achieved by means of an individual wire seal which is inserted on the wire and crimped in the insulation support of the contact

simultaneously with the contact. Interfacial sealing is achieved with a pre-assembled seal ring located in the plug assembly.

Another important feature of the plug assembly is the yellow double-lock plate. This pre-assembled plate is shipped in the "open" position and once closed provides additional retention of the contact in the housing as well as helping to detect contacts which are not fully seated.

Also, when mating, the AMP SSC Housing provides an audible "click" to indicate proper connector mating. For applications where more than one connector is required, various keying and colors are available.

The contact used in the system is an industry standard .070 tab and receptacle and comes in tin or gold platings.

### Performance Specifications:

**Resistance:**

3 m $\Omega$  max. (initial)  
10 m $\Omega$  max. (final)

**Insulation Resistance:**

100 m $\Omega$  max. (initial)

**Dielectric Strength:**

1.0 K Vac

**Sealing:**

7 Psi initial  
4 Psi after heat age  
Conforms to IEC 529 I.P. 65/67 standard

**Temperature Range:**

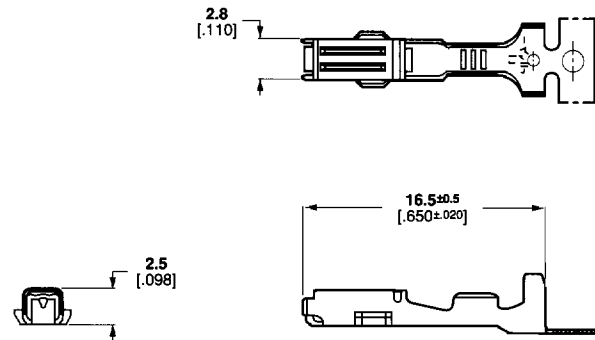
-40°C to 125°C

**Current Rating:**

10 Amps max

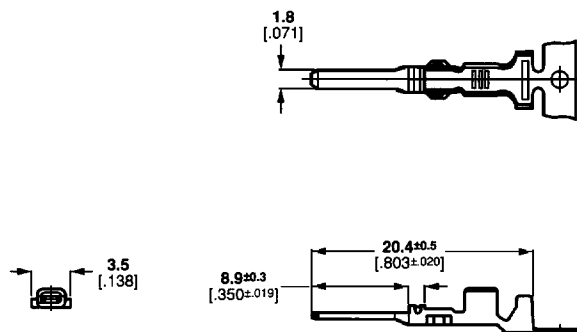
**SSC (Sealed Sensor Connector) System** (Continued)

**Receptacles**



Wire Range		Wire Ins. Dia.	Material and Finish	Part Number	Tooling	
AWG	mm <sup>2</sup>				Applicator	Hand Tool
20-14	0.50-1.25	1.2-2.7	Phos. Bro./Pre-tin Phos. Bro./Select Gold	184030-3 184030-1	680144-2	755262-1
22-18	0.50-1.00	1.2-2.1	Phos. Bro./Select Gold Phos. Bro./Pre-tin	184095-1 184095-2	680143-2 680143-2	—

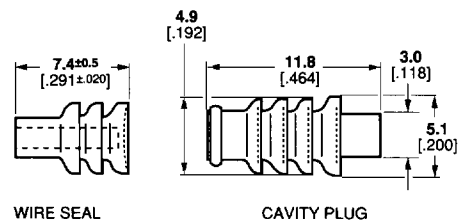
**Tabs**



Wire Range		Wire Ins. Dia.	Material and Finish	Part Number	Tooling	
AWG	mm <sup>2</sup>				Applicator	Hand Tool
20-16	0.50-1.25	2.0-2.6	Brass/Pre-tin Brass/Select Gold	171661-1 171661-2	567266-2	755241-1

**Wire Seal  
(Crimp with Contact) and**

**Cavity Plug  
(for Unloaded Cavity)**



Description	Wire Insulation Diameter	Material (color)	Part Number
Wire Seal	1.2-1.7	Silicone (blue)	184139-1
	1.6-2.1	Silicone (orange)	184140-1
	2.2-2.7	Silicone (purple)	184141-1
Cavity Plug	—	NBR (black)	172748-1
	—	NBR (grey)	172748-2



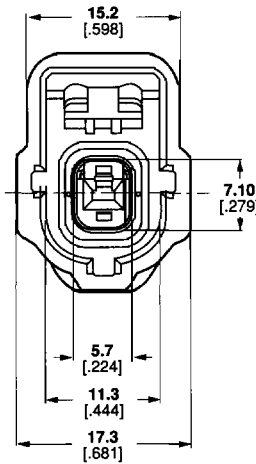
### SSC (Sealed Sensor Connector) System (Continued)

#### Plug Assemblies

##### Material and Finish:

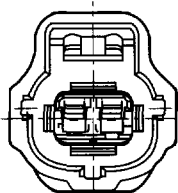
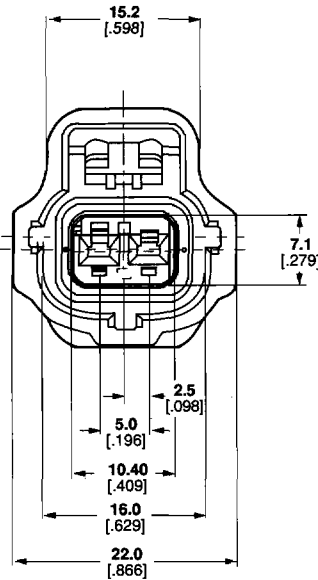
- Housing**—Glass-filled PBT
- Seal Ring**—Silicone
- Double-Lock Plate**—PBT, yellow

#### One Position

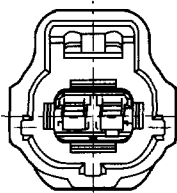


Part Number  
184042-1

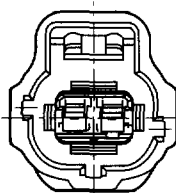
#### Two Position



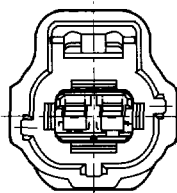
184000-1  
BLACK, KEY A



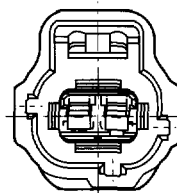
184002-1  
GRAY, KEY B



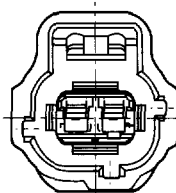
184004-1  
BLACK, KEY C



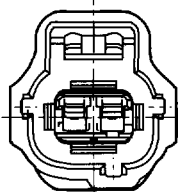
184006-1  
GREEN, KEY D



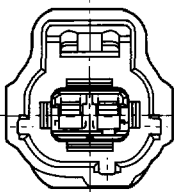
184008-1  
BLACK, KEY E



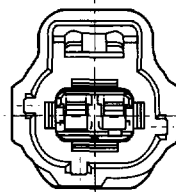
184010-1  
BLACK, KEY F



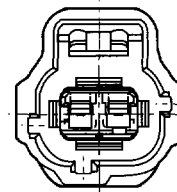
184012-1  
GREY, KEY G



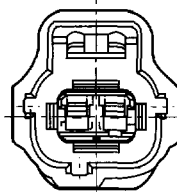
184014-1  
BLACK, KEY H  
184014-2  
GREEN, KEY H  
184014-3  
BROWN, KEY H



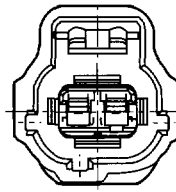
184016-1  
BLACK, KEY J



184018-1  
BLACK, KEY K



184020-1  
NATURAL, KEY L

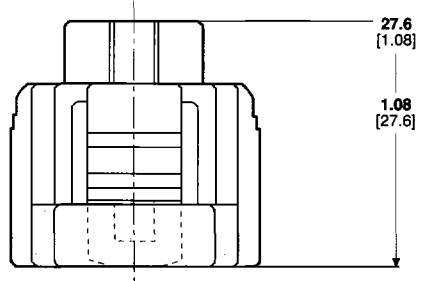
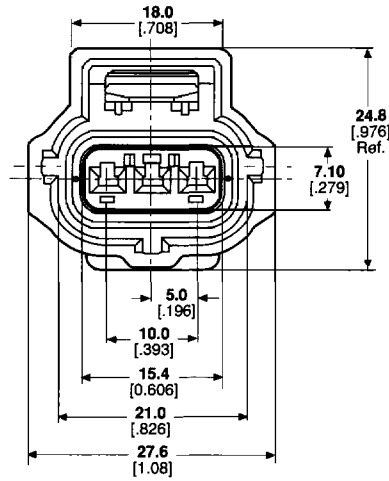


184022-1  
BLACK, KEY M

**SSC (Sealed Sensor Connector) System** (Continued)

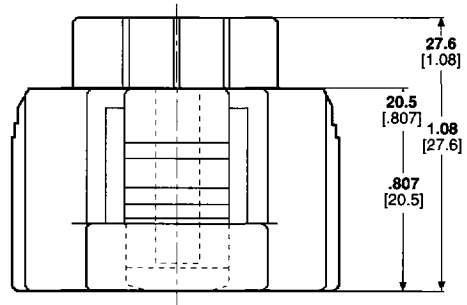
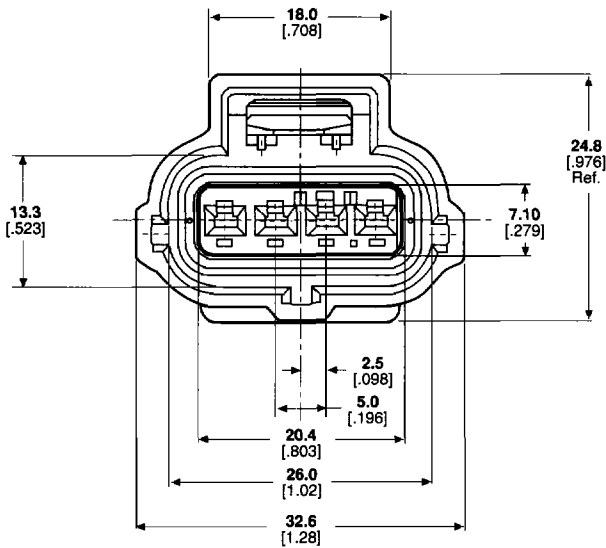
**Plug Assemblies** (Continued)

**Three Position**



**Part Number 184032-1**  
**Black**

**Four Position**



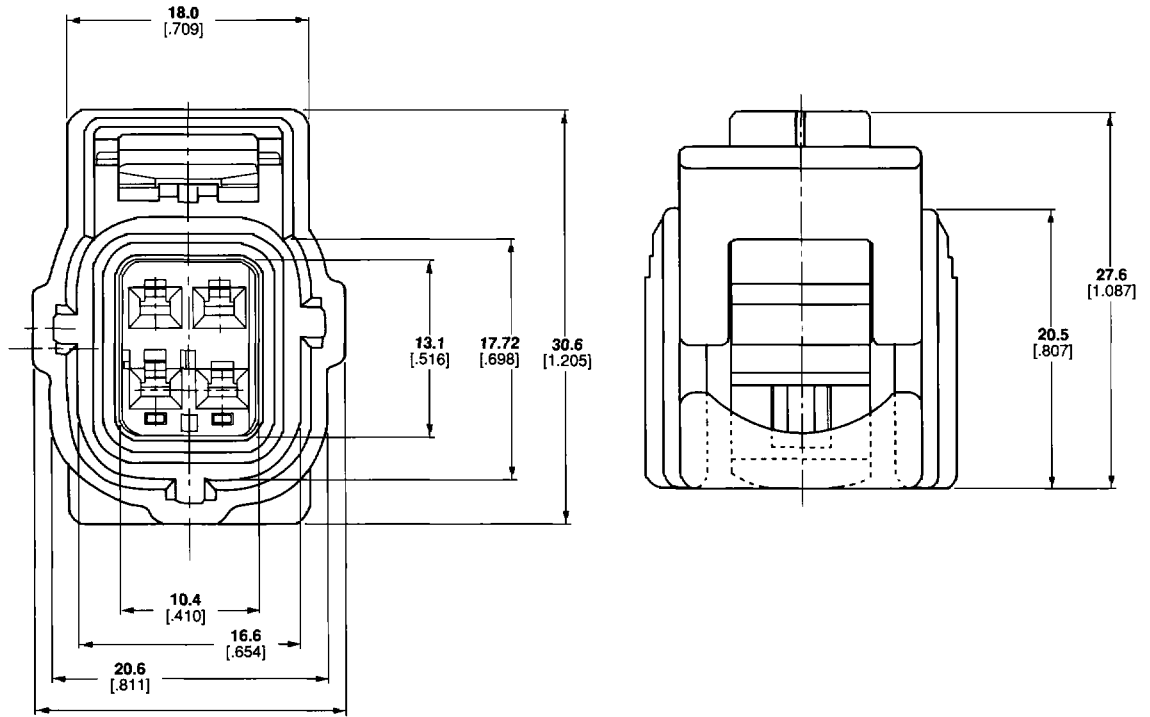
**Part Number 184046-1**  
**Black**



**SSC (Sealed Sensor Connector) System** (Continued)

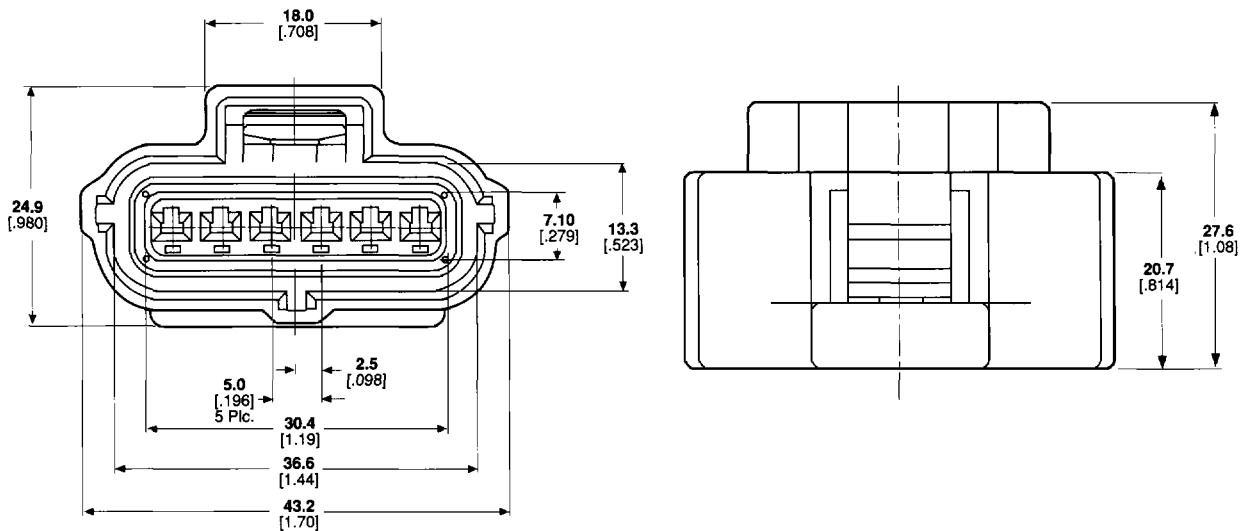
**Plug Assemblies** (Continued)

**Four Position 2x2**



**Part Number 184248-1**  
**Black**

**Six Position**

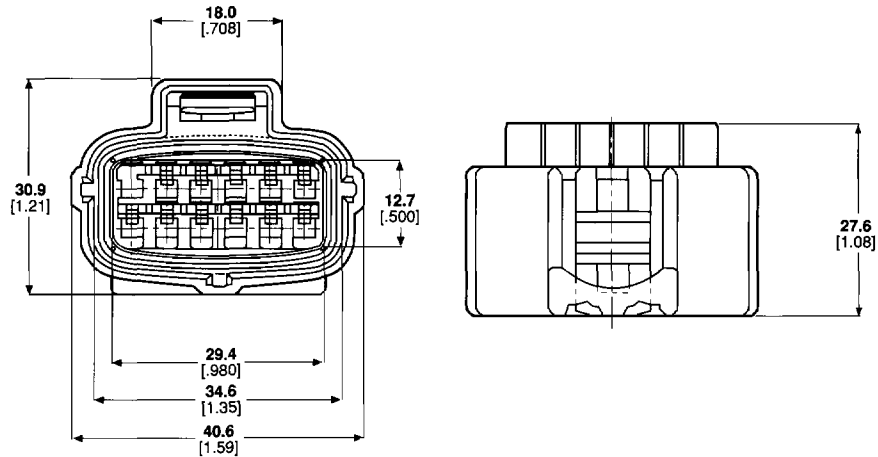


**Part Number 184060-1**  
**Black**

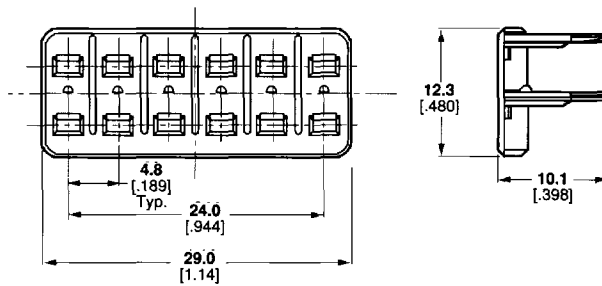
**SSC (Sealed Sensor Connector) System** (Continued)

**Plug Assemblies** (Continued)

**Twelve Position**



Part Number—See chart page 55 for possible combinations



Part Number 184058-1  
Double-Lock Plate (Yellow)

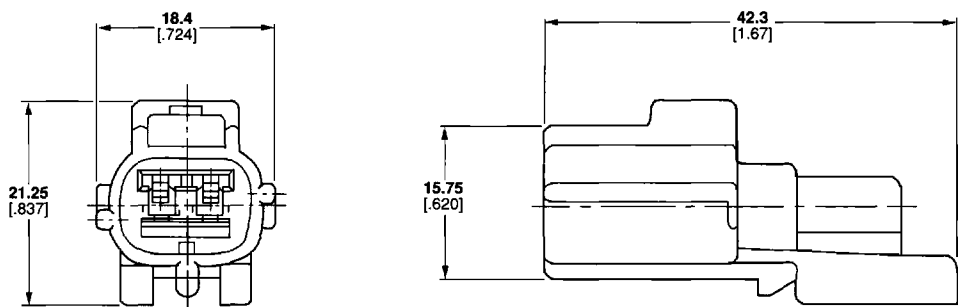
**CAP Housings and Lock Plates**

**Material:**

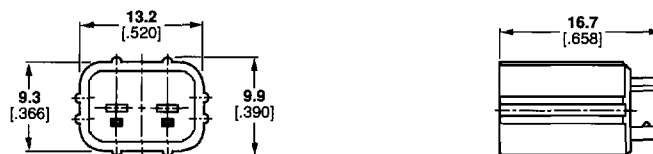
**Housing**—Glass-filled PBT

**Lock Plate**—PBT, yellow

**Two Position**



CAP Housing Part Number—See chart on page 55 for possible combinations

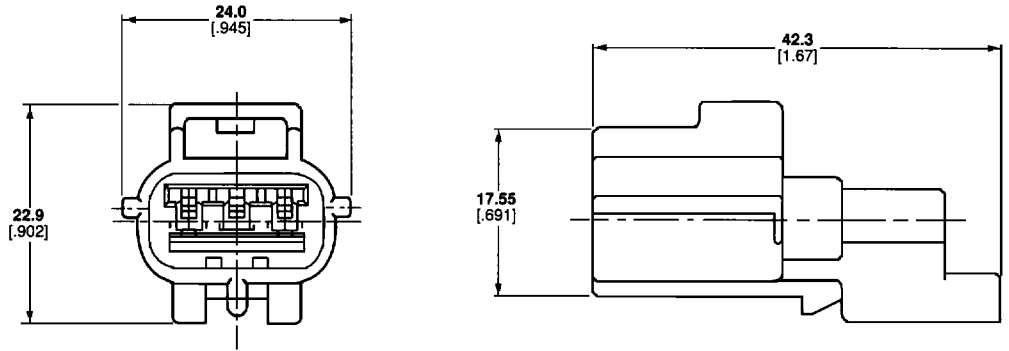


Lock Plate Part Number 184175-1

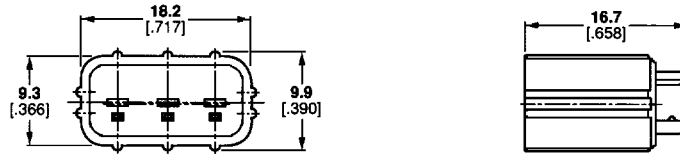


### SSC (Sealed Sensor Connector) System (Continued)

#### Three Position



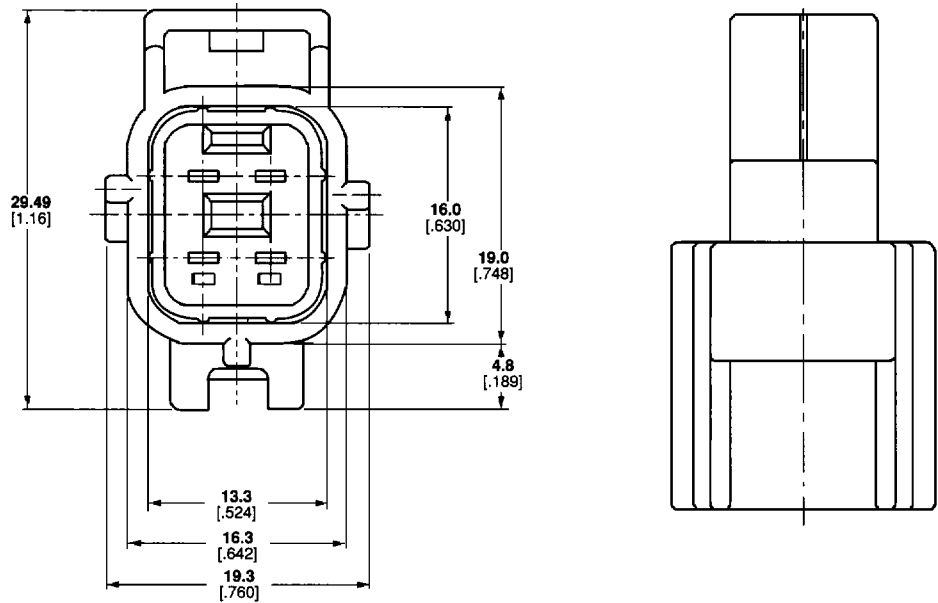
CAP Housing Part Number—See chart on page 55 for possible combinations



Lock Plate Part Number 184196-1

Note: CAP housings with circuits blocked for END CAP applications are available—contact product engineering.

#### Four Position 2x2



Part Number 184246-1  
Black

**SSC (Sealed Sensor Connector) System** (Continued)**Connector Part Number List**

No. of Positions	Type	Keying	Color	Additional Notes	Part Numbers
1	Plug Assembly	A	Black		184042-1
1	Plug Assembly	A	Natural		184042-2
1	Plug Assembly	B	Black		184240-1
2	Plug Assembly	A	Black		184000-1
2	Plug Assembly	B	Gray		184002-1
2	Plug Assembly	C	Black		184004-1
2	Plug Assembly	D	Green		184006-1
2	Plug Assembly	D	Gray		184006-2
2	Plug Assembly	E	Black		184008-1
2	Plug Assembly	F	Black		184010-1
2	Plug Assembly	G	Gray		184012-1
2	Plug Assembly	H	Black		184014-1
2	Plug Assembly	H	Green		184014-2
2	Plug Assembly	H	Brown		184014-3
2	Plug Assembly	J	Black		184016-1
2	Plug Assembly	K	Black		184018-1
2	Plug Assembly	L	Natural		184020-1
2	Plug Assembly	M	Black		184022-1
2	Plug Assembly	H	Brown	Circuit #2 Blocked	184116-1
2	Cap Housing	A	Black		184163-1
2	Cap Housing	B	Black		184164-1
2	Cap Housing	C	Black		184165-1
2	Cap Housing	D	Black		184166-1
2	Lock Plate for Cap	—	Yellow	Required with all 2 pos. Cap Housings	184175-1
2	Plug Assembly	J	Black	High Temp Material for 150 C Rating	184207-1
3	Plug Assembly	A	Black		184032-1
3	Plug Assembly	B	Black		184034-1
3	Plug Assembly	C	Black		184036-1
3	Plug Assembly	D	Black		184038-1
3	Plug Assembly	A	Black	Circuit #2 Blocked	184292-1
3	Cap Housing	A	Black		184192-1
3	Cap Housing	B	Black		184193-1
3	Cap Housing	C	Black		184194-1
3	Cap Housing	D	Black		184195-1
3	Lock Plate for Cap	—	Yellow	Required with all 3 pos. Cap Housings	184196-1
4	Plug Assembly	A	Black		184046-1
4	Plug Assembly	B	Black		184048-1
4	Plug Assembly	C	Black		184050-1
4	Plug Assembly	D	Black		184052-1
6	Plug Assembly	A	Black	Circuits #1 and #6 Blocked	184026-1
6	Plug Assembly	A	Black		184060-1
6	Plug Assembly	B	Black		184124-1
6	Plug Assembly	C	Black		184126-1
6	Plug Assembly	D	Black		184128-1
2x2	Plug Assembly	A	Black		184248-1
2x2	Plug Assembly	A	Black	Circuit #2 Blocked	184282-1
2x2	Cap Assembly	A	Black		184246-1
12	Housing and Seal	A	Black	Circuit #6 Blocked	184056-1
12	Double Lock Plate	—	Yellow		184058-1
12	Housing and Seal	A	Black	Circuit #1 Blocked	184097-1
12	Housing and Seal	A	Black	Circuits #1, #7 and #8 Blocked	184099-1
12	Housing and Seal	A	Black		184115-1
12	Plug Assembly	A	Black	Circuits #1, #2, #3, #6, #7 and #8 Blocked	184286-1
12	Plug Assembly	A	Black	Circuits #1, #7, #8, #9 and #11 Blocked	184291-1

\*Note: Assembly includes; Housing, Housing Seal and Double Lock Plate.