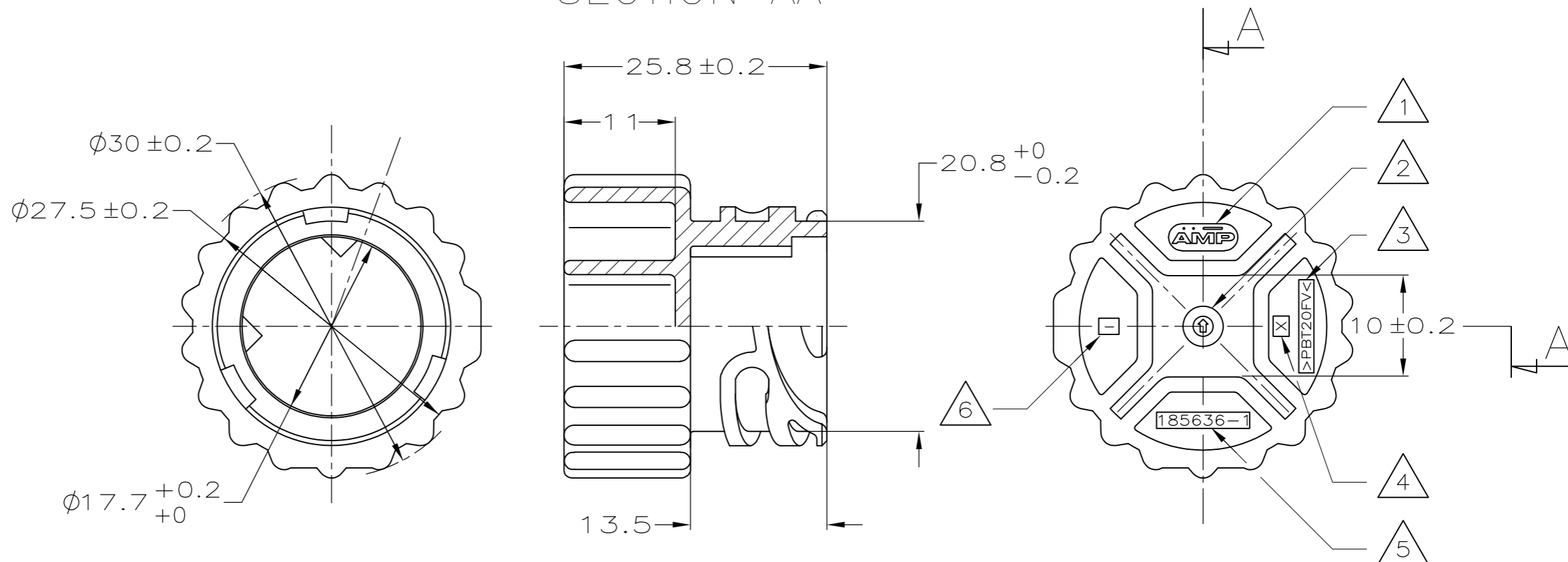


P	LTR REV	DESCRIPTION MODIFICATIONS	DATE	DWN DESS.	APVD APP.
	A	UPDATE OF RING DESIGN	14-JAN-97	RB	-
	B	ADD ENGLISH TRANSLATION	18JAN2011	CS	JPP

SECTION AA
SECTION AA



NOTES

- 1 MARQUAGE LOGO
LOGO MARKING
- 2 DATEUR
DATE CODE
- 3 MARQUAGE MATIERE
MATERIEL MARKING
- 4 REPERE D'EMPREINTE
CAVITY NUMBER
- 5 MARQUAGE REF. TE
PART NUMBER MARKING
- 6 INDICE DE REVISION PRODUIT
PART REVISION CODE

<small>THIS DRAWING IS A CONTROLLED DOCUMENT FOR AMP INCORPORATED. IT IS SUBJECT TO CHANGE AND THE CONTROLLING ENGINEERING ORGANIZATION SHOULD BE CONTACTED FOR THE LATEST REVISION. CE PLAN EST UN DOCUMENT CONTROLE PAR AMP INCORPORATED. IL EST SUSCEPTIBLE D'ETRE REVISE. CONTACTER LE SERVICE TECHNIQUE D'AMP DE FRANCE POUR OBTENIR LA DERNIERE REVISION.</small>		DWN/DESSINE 11-MAR-96 D.BENOIT		Tyco Electronics France SAS 95300 Pontoise, France	
DIMENSIONS: mm		TOLERANCES UNLESS OTHERWISE SPECIFIED: TOLERANCES NON SPECIFIEES (SUIV NB DE DECIMALES): 0-PLC/DEC ± 1-PLC/DEC ±0.3 2-PLC/DEC ± 3-PLC/DEC ± 4-PLC/DEC ± ANGLES ±5°		CHK/VERIFIE 05-FEB-97 R.BONNET	
		APVD/APPROUVE 05-FEB-97 J.J.REVIL		NAME/TITRE OBTURATEUR DE PORTE-DOUILLE DIA2.5MM OBTURATOR OF CARRY-CASING DIA2.5MM	
MATERIAL MATIERE PBT 20 FV FINISH FINITION NOIR BLACK		PRODUCT SPEC SPEC. PRODUIT APPLICATION SPEC SPEC. APPLICATION		SIZE FORMAT A3 CAGE CODE 00779 DRAWING NO No PLAN C=185636	
		WEIGHT MASSE APPROX. -		SCALE ECHELLE 2:1 SHEET FEUILLE 1 OF 1 DE 1 REV B	
CUSTOMER DRAWING/PLAN CLIENT POUR REFERENCE					