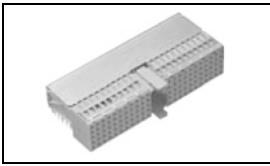


1857994-1 Product Details

[Share](#) [Print](#) [Email](#)



1857994-1

TE Internal Number: 1857994-1

Active

[View 3D PDF](#)

2mm Hard Metric PCB Mount Connectors (Z-PACK 2mm HM)

Always EU RoHS/ELV Compliant (Statement of Compliance)

Product Highlights:

- Connector
- Connector Assembly
- Connector Style = Receptacle
- Type = Type A
- Interface Type = 2mm HM

[View all Features](#)

Quick Links

- ▶ [Pricing & Availability](#)
- ▶ [Search for Tooling](#)
- ▶ [Product Feature Selector](#)
- ▶ [Contact Us About This Product](#)

[Add to My Part List](#) [Request Sample](#) [Find Similar Products](#) [Buy Product](#)

Documentation & Additional Information

Product Drawings:

- [Z-PACK 2mm HM TYPE A - 25 COLUMNS PRE-SHIELDED RECEPTACLE](#) (PDF, English)

Catalog Pages/Data Sheets:

- None Available

Product Specifications:

- [Z-Pack 2 mm HM CONNECTORS](#) (PDF, English)

Application Specifications:

- [Z-PACK 2mm HM Interconnection System for Board-to-Board](#) (PDF, English)

Instruction Sheets:

- None Available

CAD Files: (CAD Format & Compression Information)

- [2D Drawing](#) (DXF, Version A1)
- [3D Model](#) (IGES, Version A1)
- [3D Model](#) (STEP, Version A1)

[List all Documents](#)

Additional Information:

- [Product Line Information](#)

Related Products:

- [Tooling](#)

Product Features (Please use the Product Drawing for all design activity)

Product Type Features:

- Product Type = Connector
- Connector Type = Connector Assembly
- [PCB Mounting Orientation](#) = Right Angle

Mechanical Attachment:

- [Board Mount](#) = Free Board

Termination Features:

- [Interface Type](#) = 2mm HM
- Termination End Plating = Tin over Nickel

Dimensions:

- [Module Length \(mm \[in\]\)](#) = 50.00 [1.968]

Body Features:

- [Type](#) = Type A
- CompactPCI Designation = J1, J4

Contact Features:

- Contact Configuration = Compliant Pin, Signal
- [Feedthrough Post Length \(mm \[in\]\)](#) = 3.30 [0.130]
- CompactPCI = Yes
- [Contact Plating, Mating Area, Material](#) = Performance-Based
- [Grounding Contact](#) = Without
- Contact Style = Short Tail
- Number of Signal Contacts = 110
- Contact Base Material = Phosphor Bronze

Housing Features:

- Connector Style = Receptacle
- [Mating Alignment](#) = With
- [Mating Alignment Type](#) = Multi-Purpose Center
- Housing Color = Gray
- Housing Material = Polyester GF
- UL Flammability Rating = UL 94V-0

Configuration Features:

- [Number of Rows](#) = 5
- [Number of Positions](#) = 110
- [Crosstalk Version](#) = Standard
- [Shielded](#) = Yes
- Rows Loaded = A, B, C, D, E
- Shield Type = Ground Return Shielding
- Shield Style = Upper

Industry Standards:

- [RoHS/ELV Compliance](#) = RoHS compliant, ELV compliant
- [Lead Free Solder Processes](#) = Not relevant for lead free process
- RoHS/ELV Compliance History = Always was RoHS compliant

Other:

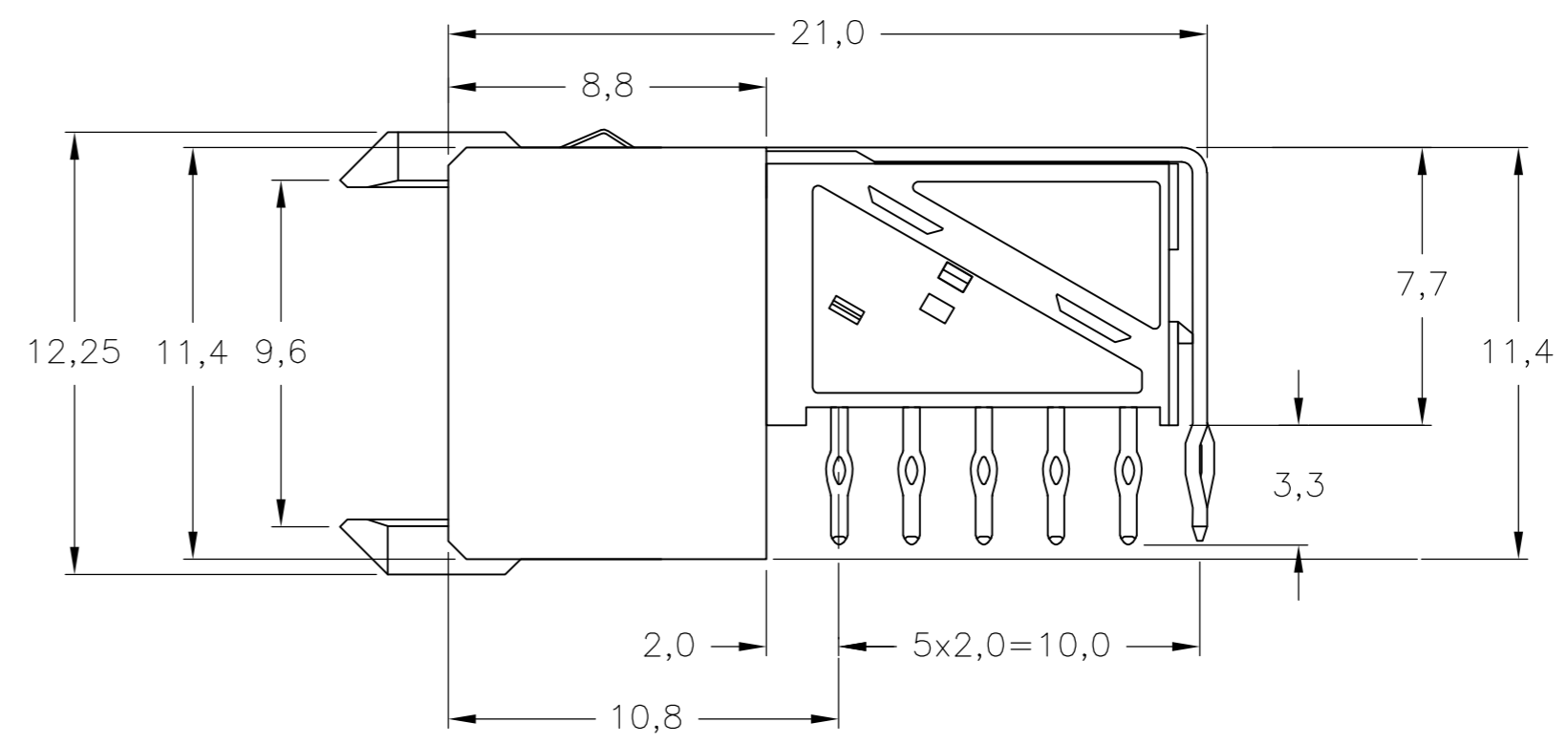
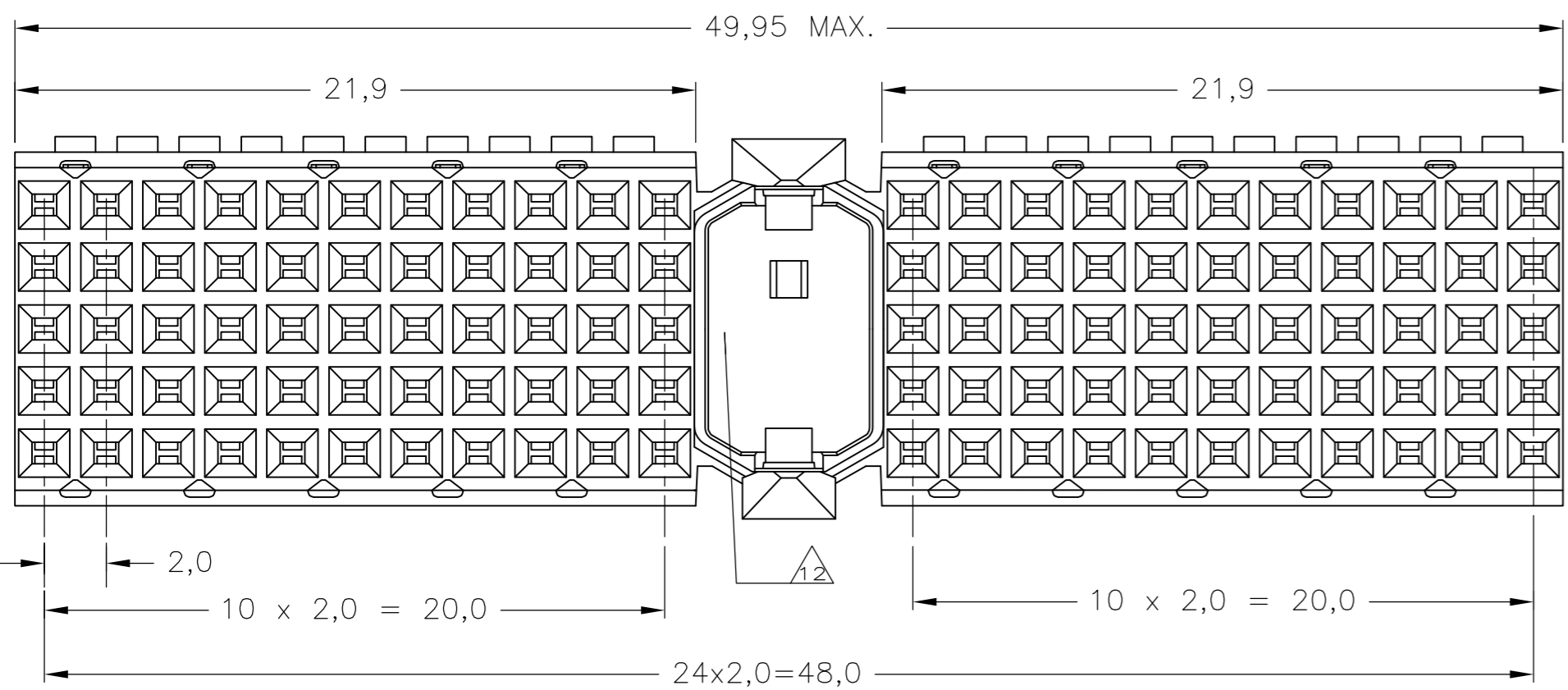
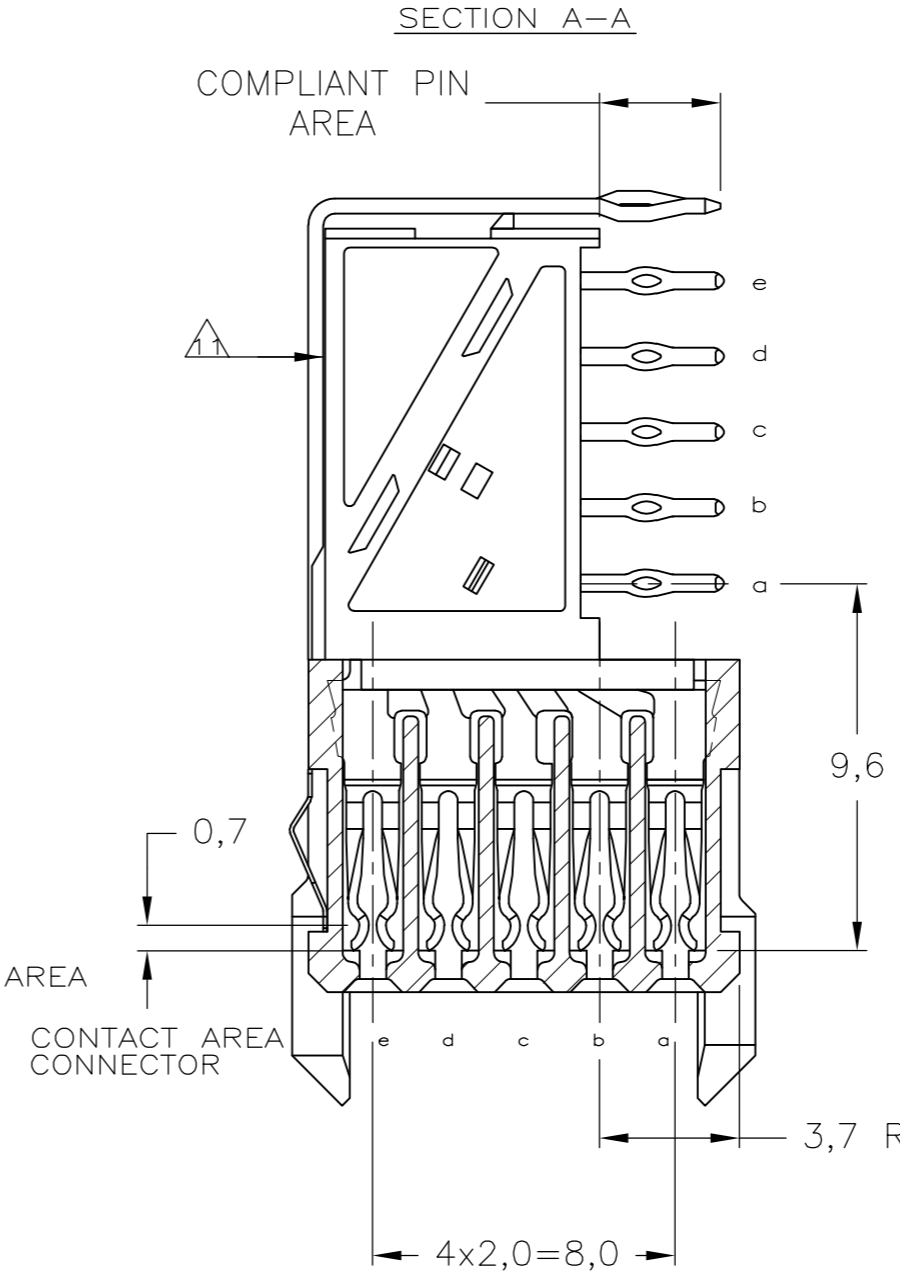
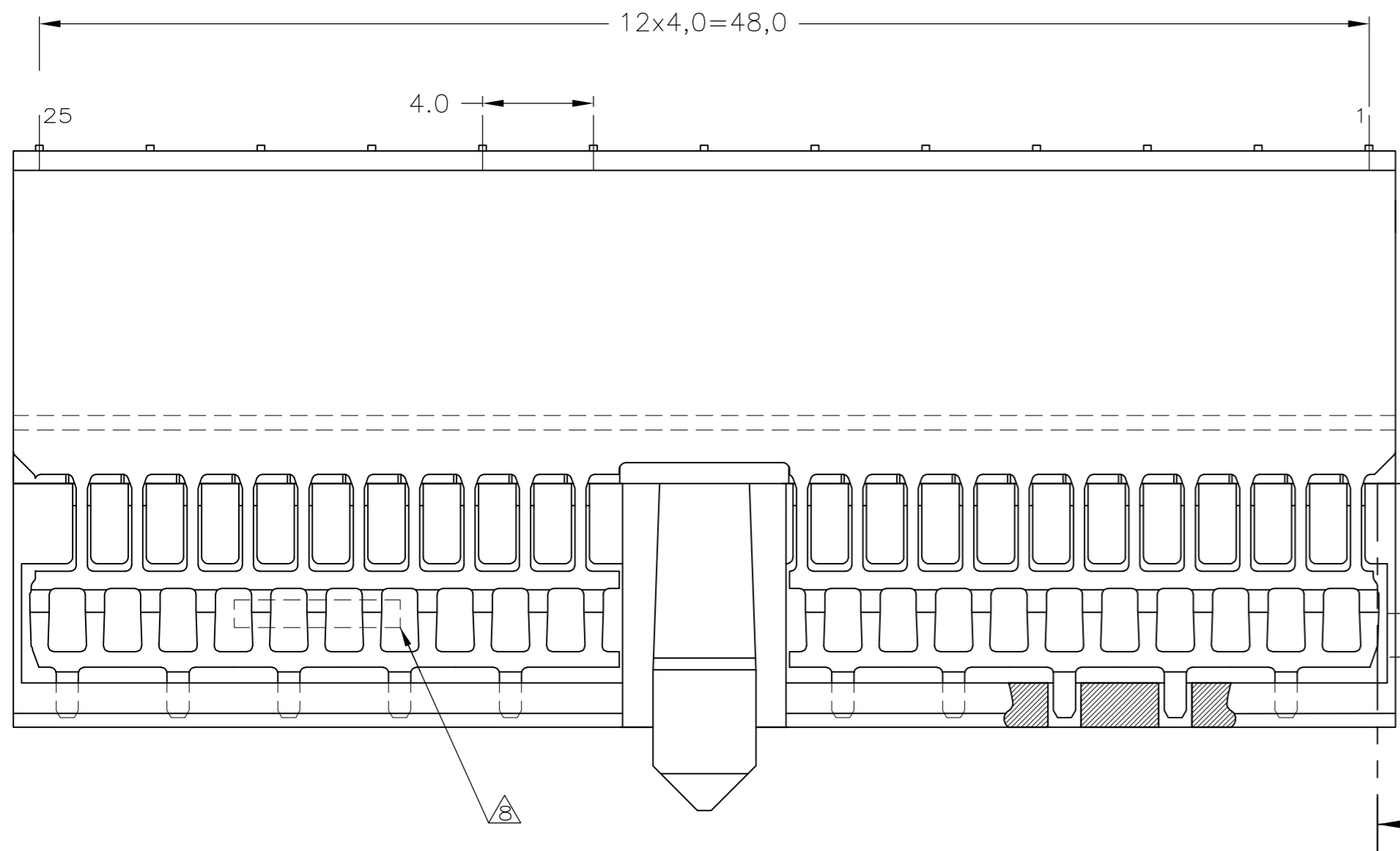
- Brand = TE Connectivity
- Comment = Female connector with pre-installed shield.

THIS DRAWING IS UNPUBLISHED. RELEASED FOR PUBLICATION
 © COPYRIGHT BY TYCO ELECTRONICS CORPORATION. ALL RIGHTS RESERVED.

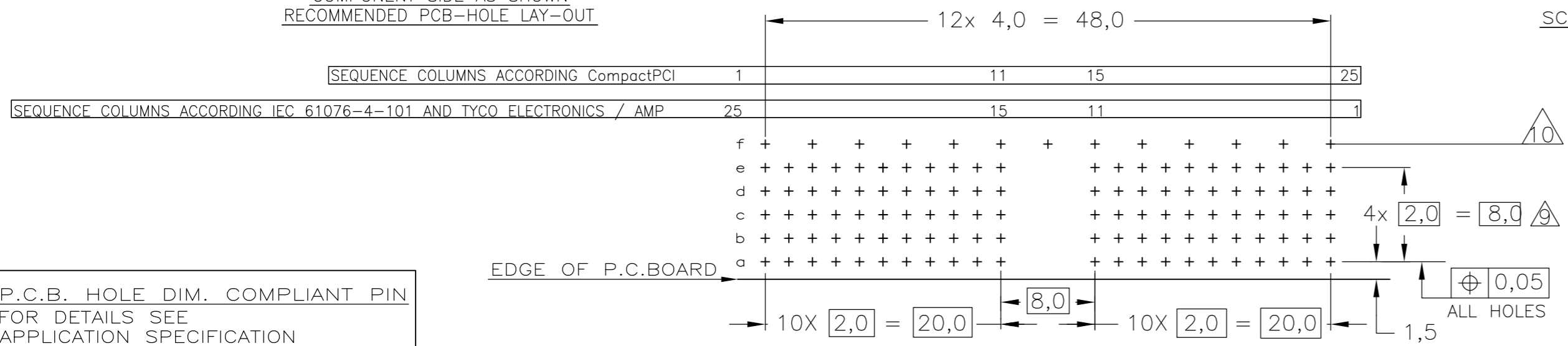
| LOC | DIST | REVISIONS | | | | | |
|-----|------|-----------|-----|---------------|-----------|-----|------|
| | | P | LTR | DESCRIPTION | DATE | DWN | APVD |
| H | - | A1 | | ECR-07-024984 | 19OCT2007 | JvH | JB |
| | | C | | ECO-11-024491 | 13DEC11 | SY | MQW |

NOTES:

- ⚠ MATERIAL CONTACTS; PHOSPHORBRONZE MATERIAL HOUSING; GLASSFILLED POLYESTER (GRAY)
- ⚠ GENERAL PLATING SPECIFICATION: UNDERPLATING (ENTIRE CONTACT): 1,27µm NICKEL MIN. AND COMPLIANT PIN SECTION: 0,5µm TIN MIN. FOR PLATING OF MATING SURFACES SEE APPLICABLE SPECIFICATION REFERENCE FOR EACH DASH NUMBER.
- ⚠ CONFORMS TO ALL TESTING ACCORDING IEC 61076-4-101 PERFORMANCE LEVEL 2.
- ⚠ CONFORMS TO ALL TESTING ACCORDING IEC 61076-4-101 PERFORMANCE LEVEL 1.
- ⚠ CONNECTOR TESTED AND QUALIFIED AGAINST TELCORDIA GR-1217-CORE QUALITY LEVEL III, CENTRAL OFFICE APPLICATIONS. CONNECTOR LUBRICATED WITH TELCORDIAGR-1217-CORE APPROVED LUBRICANT.
- ⚠ PLATING SHIELD: CONTACT AREA: 0,76µm Au MIN. COMPLIANT PIN SECTION: 0,5µm Sn MIN. REMAINDER : Ni
- ⚠ ASSEMBLY PRINTED WITH P/N AND DATECODE THE MARKING CAN APPEAR ON THE FRONT SIDE OR BACK SIDE.
- ⚠ HOLE PATTERN FOR FEMALE CONNECTOR TYPE A 110 PLATED-THROUGH HOLES AT 2x2mm SQUARE GRID
- ⚠ ROW "f" 13 PLATED THROUGH HOLES FOR UPERSHIELD
- ⚠ SHIELD MOUNTED ON CONNECTOR WITH DOUBLE SIDED ADHESIVE TAPE OR ADHESIVE.
- ⚠ AREA RESERVED FOR KEYING PART (BASIC P.N. 100526) 13 BASIC P.N. LOWERSHIELD: 5338108



COMPONENT SIDE AS SHOWN
 RECOMMENDED PCB-HOLE LAY-OUT



P.C.B. HOLE DIM. COMPLIANT PIN
 FOR DETAILS SEE APPLICATION SPECIFICATION

SCALE 2,5:1

| FINISH | MATERIAL | PARTNUMBER |
|---------|----------|------------|
| ⚠ ⚠ ⚠ ⚠ | ⚠ | 1857994-9 |
| ⚠ ⚠ ⚠ | ⚠ | 1857994-4 |
| ⚠ ⚠ ⚠ | ⚠ | 1857994-1 |

THIS DRAWING IS A CONTROLLED DOCUMENT.

| | | | |
|----------------|---|----------------------------|--|
| DIMENSIONS: mm | TOLERANCES UNLESS OTHERWISE SPECIFIED: ±0.2 | DWN J.van Hoek 23AUG2007 | Tyco Electronics Corporation 's-Hertogenbosch, 5222AR-32 |
| | | CHK J.Broeksteeg 23AUG2007 | |
| | | APVD B.Mooij 23AUG2007 | |
| | | PRODUCT SPEC 108-19082 | |
| MATERIAL | FINISH | APPLICATION SPEC 114-19029 | NAME Z-PACK 2mm HM TYPE A - 25 COLUMNS PRE-SHIELDED RECEPTACLE |
| | | WEIGHT | SIZE A2 CAGE CODE 00779 C=1857994 |
| | | CUSTOMER DRAWING | RESTRICTED TO |

SCALE 5:1 SHEET 1 OF 1 REV C