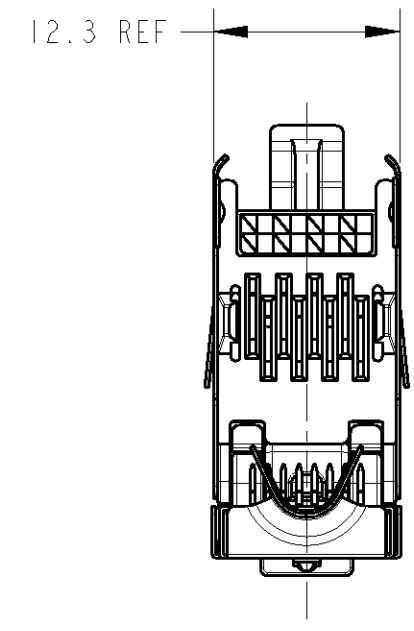
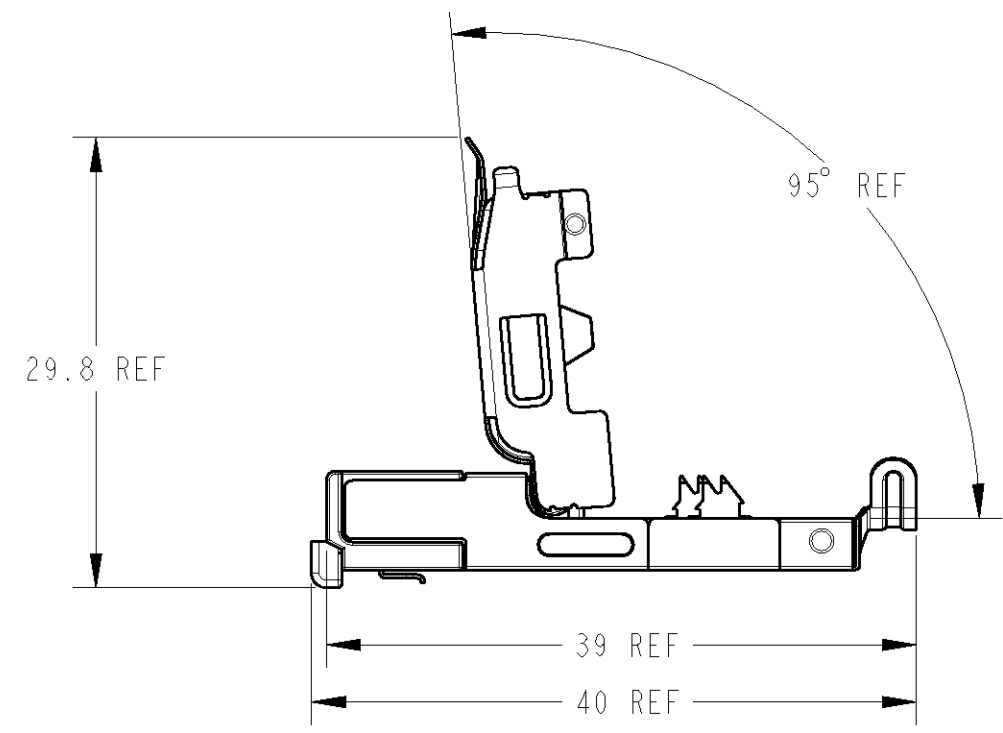
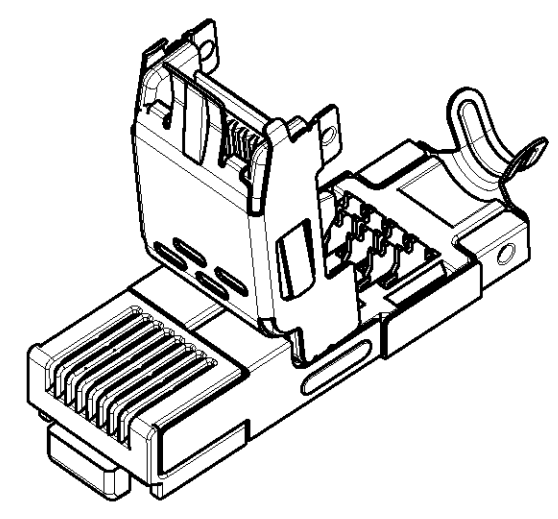


THIS DRAWING IS UNPUBLISHED. RELEASED FOR PUBLICATION 20
 © COPYRIGHT 20 BY TYCO ELECTRONICS CORPORATION. ALL RIGHTS RESERVED.

LOC	DIST	REVISIONS					
		P	LTR	DESCRIPTION	DATE	DWN	APVD
J	-	A		RELEASED	16APR2008	J.A	A.O



1. MATERIAL : HOUSING-THERMOPLASTIC.
 CONTACT-COPPER ALLOY.
 SHELL-COPPER ALLOY.
 2. FINISH : CONTACT-UNDERPLATE: Ni
 CONTACT AREA: Au
 SHELL: Ni

<small>THIS DRAWING IS A CONTROLLED DOCUMENT FOR TYCO ELECTRONICS CORPORATION IT IS SUBJECT TO CHANGE AND THE CONTROLLING ENGINEERING ORGANIZATION SHOULD BE CONTACTED FOR THE LATEST REVISION.</small>		DWN J.AKASAKA 16APR2008 CHK A.OOISHI 16APR2008 APVD A.OOISHI 16APR2008		Tyco Electronics Corporation Kawasaki, Japan	
DIMENSIONS: 单位: 毫 mm		TOLERANCES UNLESS OTHERWISE SPECIFIED: 一般公差 ± - 0-PLC ± - 1-PLC ± - 2-PLC ± - 3-PLC ± - 4-PLC ± - ANGLES ± ±		NAME 名称 CORE 8P ASSY INDUSTRIAL ETHERNET	
		PRODUCT SPEC 製品規格 108-78381		SIZE CAGE CODE DRAWING NO 番号 A3 00779 C-1871295	
MATERIAL 材料 -		FINISH 仕上 -		WEIGHT -	
CUSTOMER DRAWING				RESTRICTED TO -	
				SCALE 2:1 SHEET 1 OF 1 REV A	