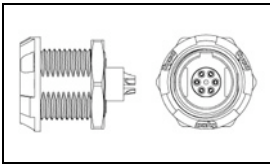


1877067-1 Product Details

[Share](#) [Print](#) [Email](#)



1877067-1

TE Internal Number: 1877067-1

 Active

 [View 3D PDF](#)

CPC Medical Connectors

 Always EU RoHS/ELV Compliant (Statement of Compliance)

Product Highlights:

- Connector
- Connector Style = Receptacle
- Housing Color = Gray
- 6 Positions
- Alignment Keyed = 0°

[View all Features](#)

Quick Links

- ▶ [Pricing & Availability](#)
- ▶ [Search for Tooling](#)
- ▶ [Product Feature Selector](#)
- ▶ [Contact Us About This Product](#)

[Add to My Part List](#)

[Request Sample](#)

[Find Similar Products](#)

[Buy Product](#)

Documentation & Additional Information

Product Drawings:

- [RECEPTACLE ASSEMBLY PANEL MOUNT 6 POSITION \(PDF, English\)](#)

Catalog Pages/Data Sheets:

- [CPC Medical Connector \(PDF, English\)](#)

Product Specifications:

- [Medical Circular Plastic Connector \(PDF, English\)](#)

Application Specifications:

- [Push-Pull Latch Medical Circular Plastic Connectors ... \(PDF, English\)](#)

Instruction Sheets:

- None Available

CAD Files: [\(CAD Format & Compression Information\)](#)

- [2D Drawing \(DXF, Version C2\)](#)
- [3D Model \(IGES, Version C2\)](#)
- [3D Model \(STEP, Version C2\)](#)

[List all Documents](#)

Additional Information:

- [Product Line Information](#)

Related Products:

- [Tooling](#)

Product Features (Please use the Product Drawing for all design activity)

Product Type Features:

- Product Type = Connector

Mechanical Attachment:

- Nut Type = Front

Body Features:

- Nut Color = Gray
- Hex Nut Material = Brass
- Hex Nut Finish = Nickel

Contact Features:

- Contact Finish = Gold over Nickel
- Contact Base Material = Phosphor Bronze

Housing Features:

- Connector Style = Receptacle
- Housing Color = Gray
- Alignment Keyed = 0°
- Housing Material = Thermoplastic - GF
- UL Flammability Rating = UL 94V-0

Configuration Features:

- Number of Positions = 6

Industry Standards:

- [RoHS/ELV Compliance](#) = RoHS compliant, ELV compliant
- [Lead Free Solder Processes](#) = Hand solderable with lead free solder
- RoHS/ELV Compliance History = Always was RoHS compliant
- Industry Standard = IP50 (Mated)

Other:

- Brand = TE Connectivity

Corporate Information

[About TE](#)

[Investors](#)

[News Room](#)

[Supplier Portal](#)

[Careers](#)

Quick Links

[Distributor Inventory](#)

[Product Cross Reference](#)

[Documents & Drawings](#)

[Product Compliance Support Center](#)

[Site Map](#)

Customer Support

[Email or Chat With Us](#)

[Find a Phone Number](#)

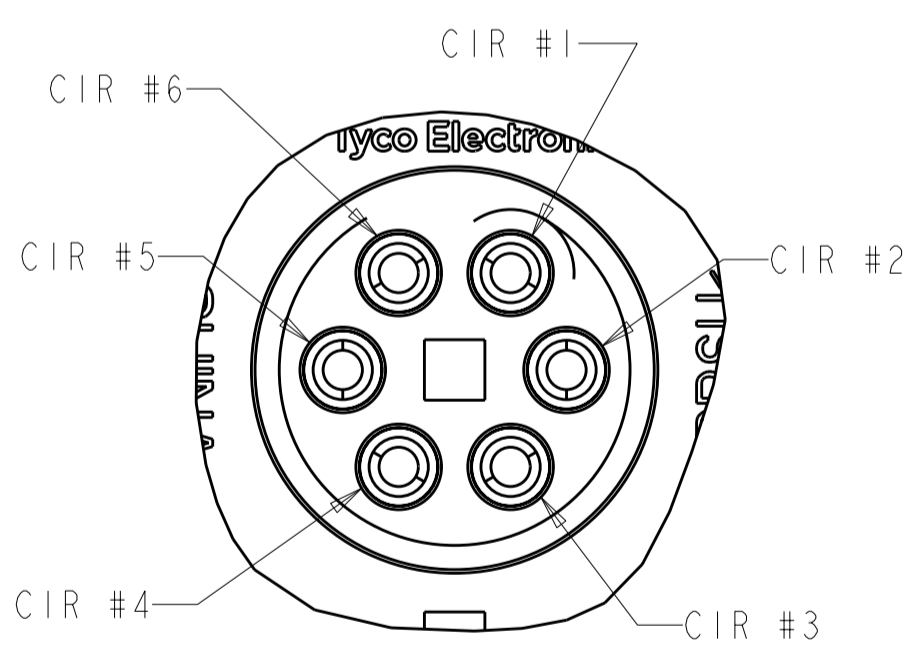
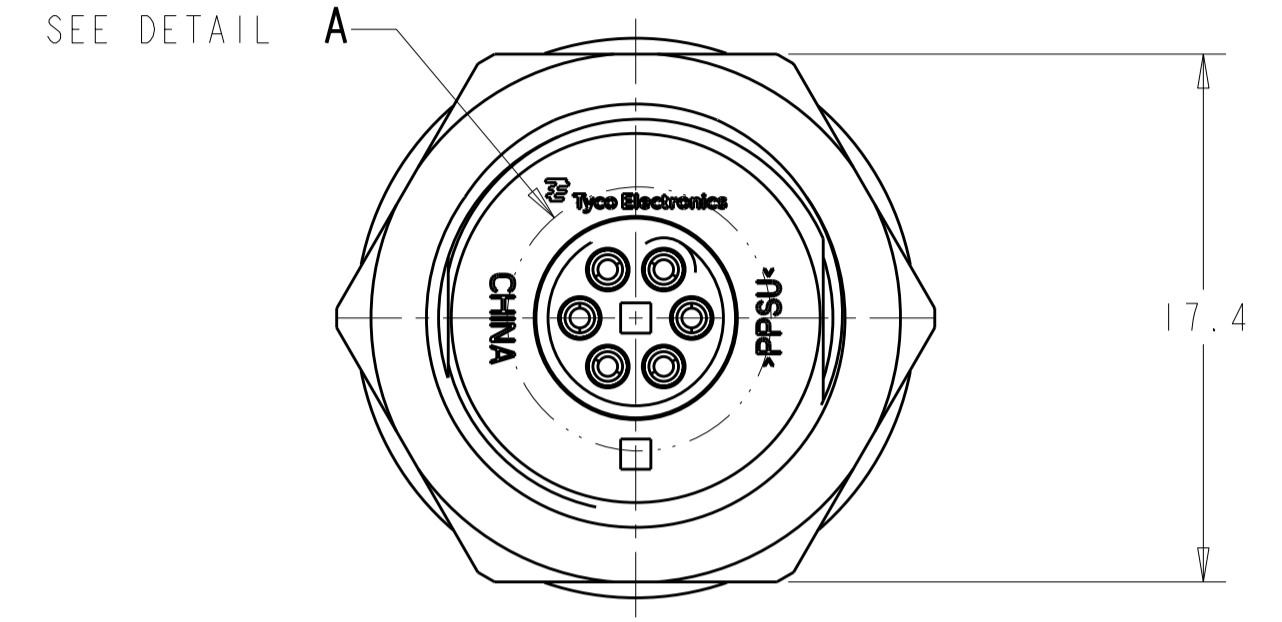
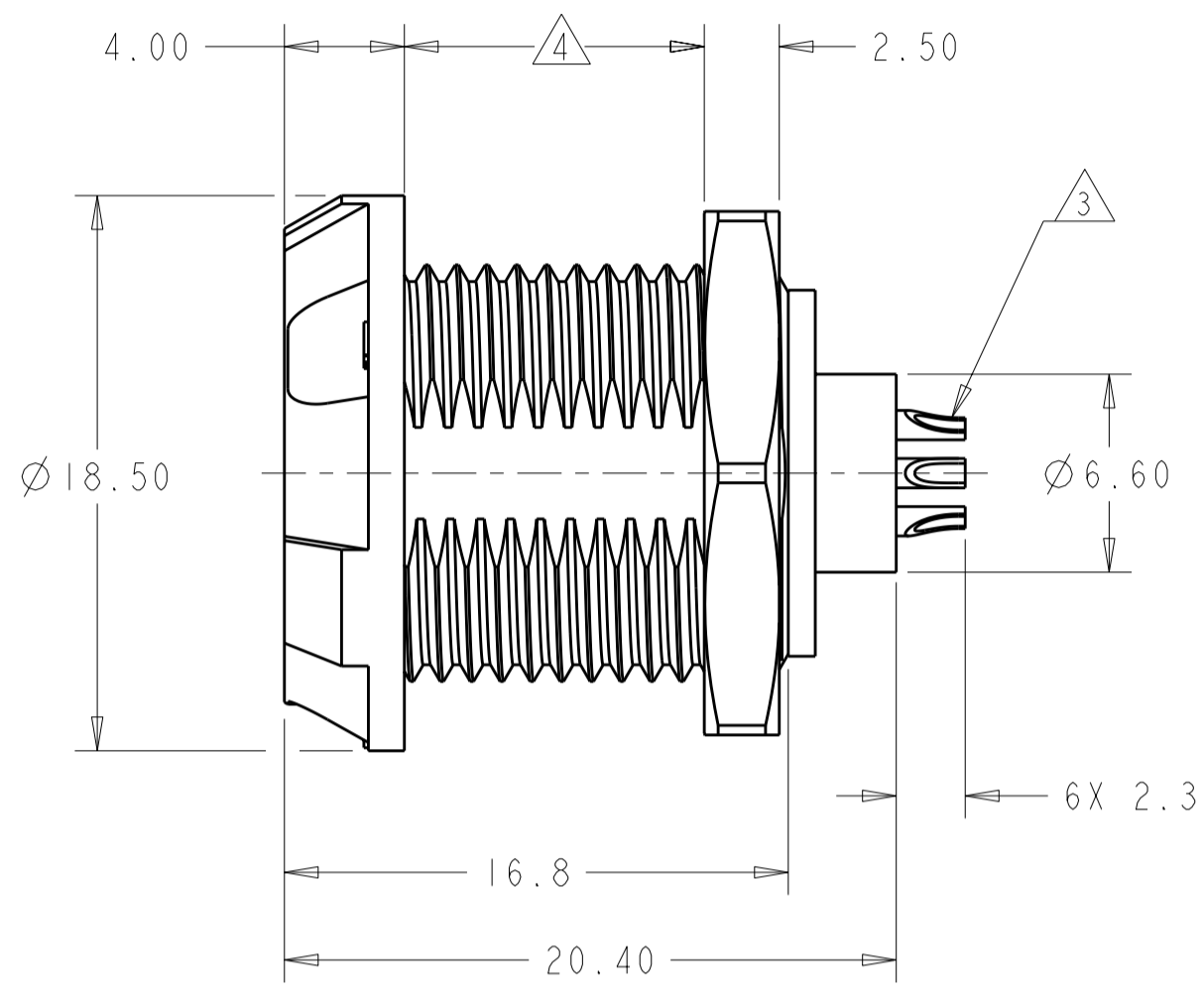
[Knowledge Base](#)

[Manage Your Account](#)

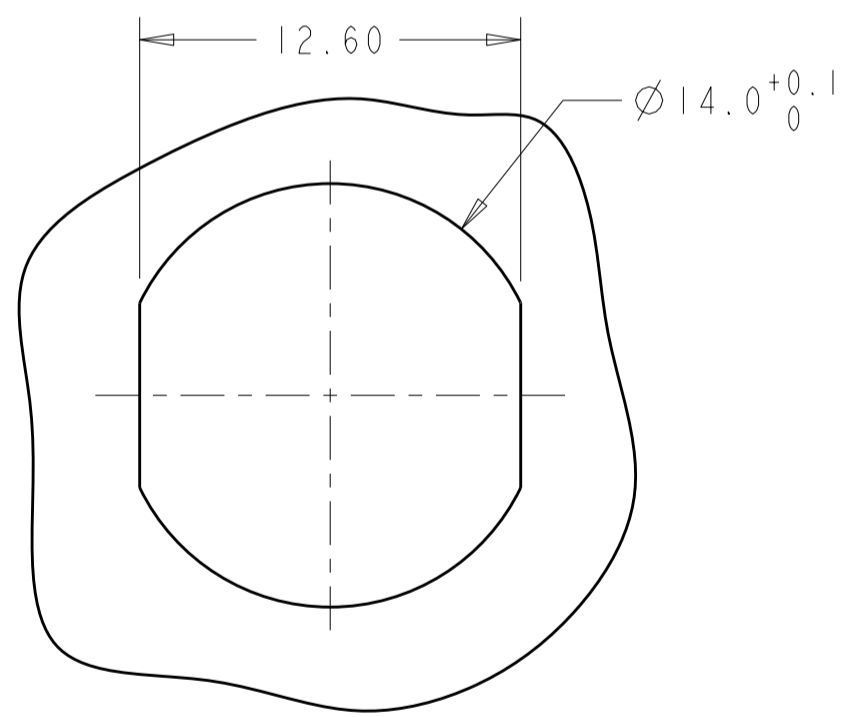
THIS DRAWING IS UNPUBLISHED. RELEASED FOR PUBLICATION 20
 © COPYRIGHT 20 BY - ALL RIGHTS RESERVED.

LOC	DIST	REVISIONS			
P	LTR	DESCRIPTION	DATE	DWN	APVD
AD	00				
	C3	REVISED PER ECO-11-005027	12MAR2011	RK	HMR

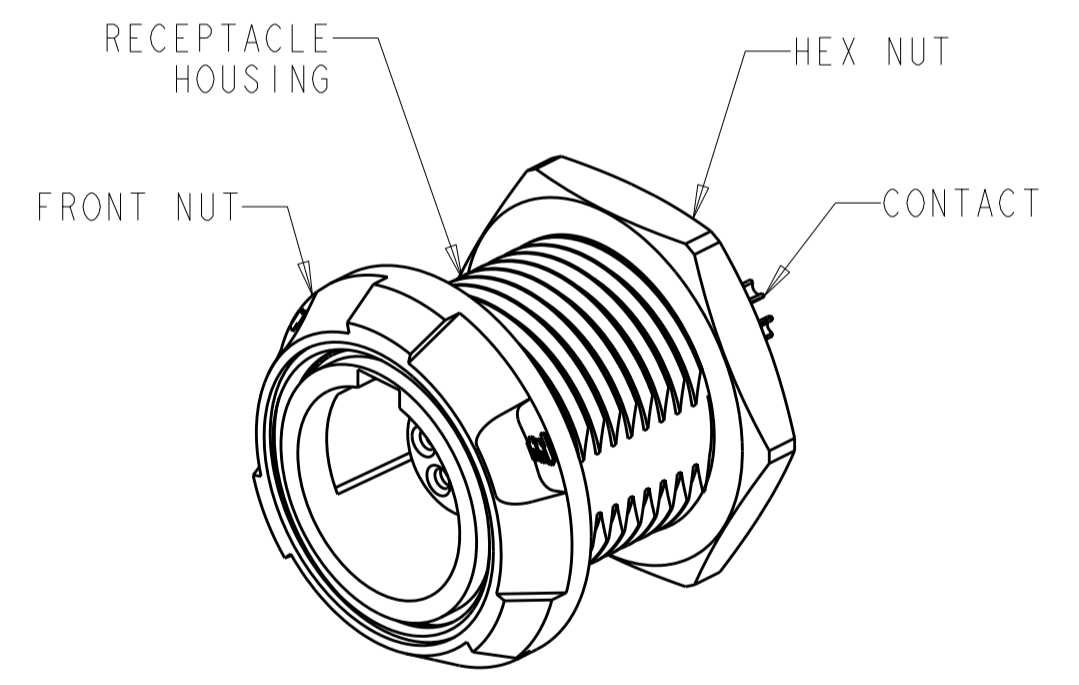
- 1 MATERIAL:
RECEPTACLE HOUSING, UL 94V-0 RATED THERMOPLASTIC, COLOR:SEE TABLE
CONTACT, PHOSPHOR BRONZE
FRONT NUT, UL 94V-0 RATED THERMOPLASTIC, COLOR:SEE TABLE
HEX NUT, BRASS
- 2 FINISH:
CONTACT, 0.75µm MIN. GOLD OVER NICKEL
HEX NUT, NICKEL
- 3 SOLDER TERMINATION CONTACT, 26 AWG WIRE MAX.
- 4 10.0 MAXIMUM PANEL THICKNESS
- 5. INSTALLS FROM FRONT OR REAR OF PANEL
- 6. INGRESS PROTECTION: IP50 (MATED)
- 7 PRELIMINARY PART NUMBER.



DETAIL A
CIRCUIT DESIGNATION VIEW
SCALE 8:1



SUGGESTED
PANEL CUTOUT
SCALE 4:1



SCALE 3:1

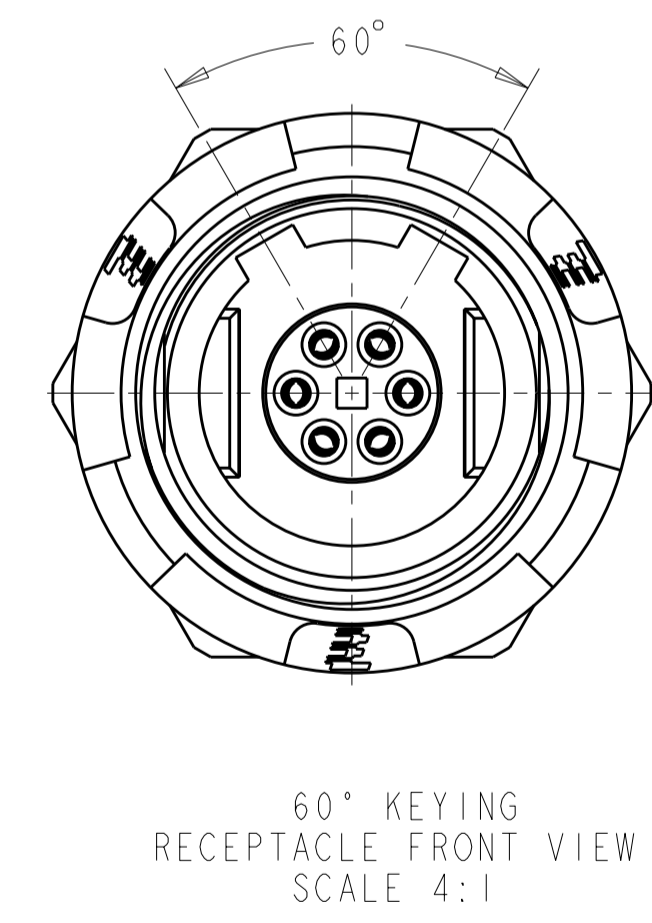
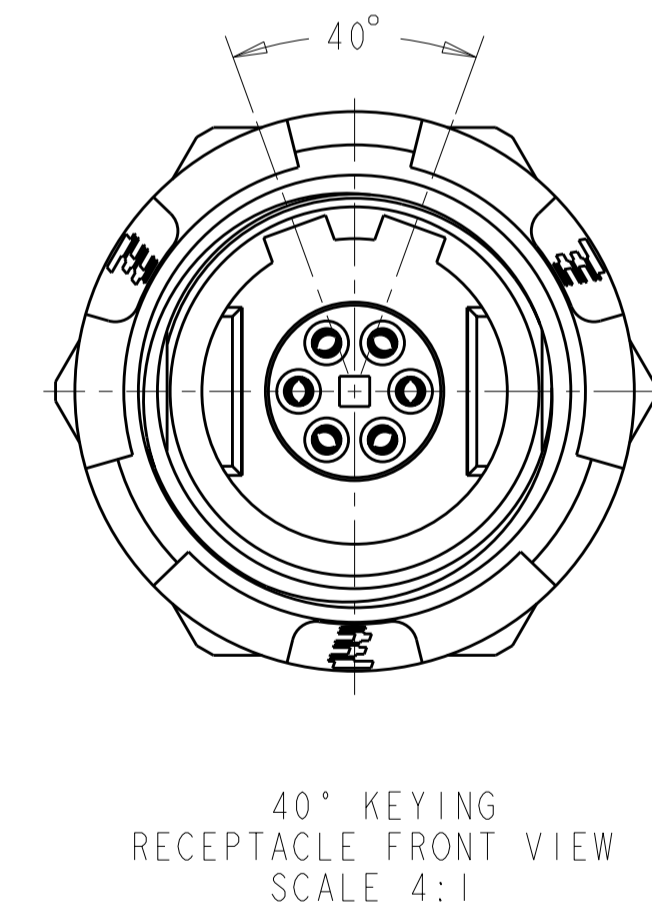
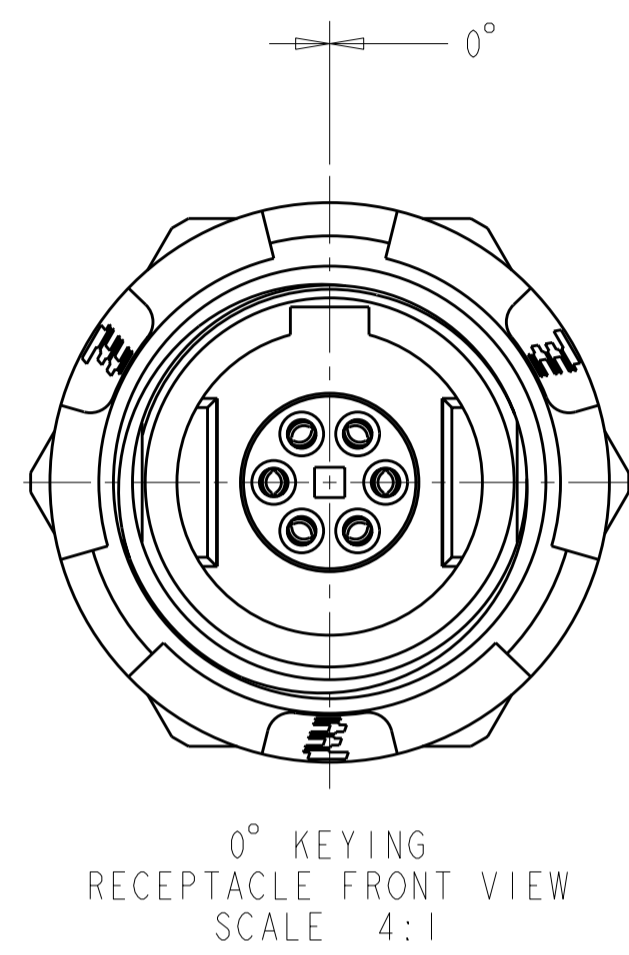
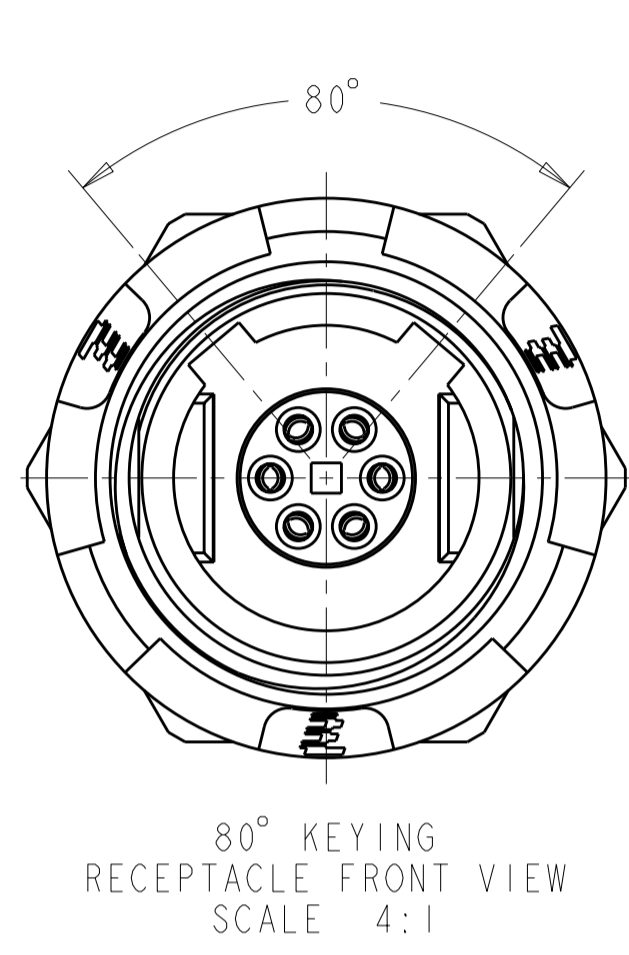
THIS DRAWING IS A CONTROLLED DOCUMENT.		DWN R.L. KOLLER 21 JUN 2005	TE Connectivity	
		CHK L. BREKOSKY 28 JUN 2005		
DIMENSIONS: mm		TOLERANCES UNLESS OTHERWISE SPECIFIED:		NAME RECEPTACLE ASSEMBLY PANEL MOUNT 6 POSITION
		0 PLC ±-	1 PLC ±0.2	PRODUCT SPEC 108-2249
		2 PLC ±0.08	3 PLC ±-	APPLICATION SPEC 114-13184
		4 PLC ±-	ANGLES ±1°	WEIGHT -
MATERIAL 1		FINISH 2		SIZE A2
		CUSTOMER DRAWING		CAGE CODE 00779
		SCALE 5:1		DRAWING NO 1877067
		SHEET 1 OF 2		RESTRICTED TO -
		REV C3		

THIS DRAWING IS UNPUBLISHED. RELEASED FOR PUBLICATION 20
 © COPYRIGHT 20 BY - ALL RIGHTS RESERVED.

LOC	DIST	REVISIONS				
P	LTR	DESCRIPTION	DATE	DWN	APVD	
AD	00	SEE SHEET 1				

KEYING	FRONT NUT COLOR	HOUSING COLOR	PART NUMBER
40°	BLUE	BLACK	4-1877067-2
	BLUE	GRAY	4-1877067-1
40°	GREEN	BLACK	4-1877067-0
	GREEN	GRAY	3-1877067-9
40°	YELLOW	BLACK	3-1877067-8
	YELLOW	GRAY	3-1877067-7
40°	WHITE	BLACK	3-1877067-6
	WHITE	GRAY	3-1877067-5
40°	RED	BLACK	3-1877067-4
	RED	GRAY	3-1877067-3
40°	BLACK	BLACK	3-1877067-2
	BLACK	GRAY	3-1877067-1
40°	GRAY	BLACK	3-1877067-0
	GRAY	GRAY	2-1877067-9
80°	BLACK	GRAY	2-1877067-8
	GRAY	BLACK	2-1877067-7
0°	BLACK	GRAY	2-1877067-6
	GRAY	BLACK	2-1877067-5
80°	BLUE	BLACK	2-1877067-4
	BLUE	GRAY	2-1877067-3
0°	BLUE	BLACK	2-1877067-2
	BLUE	GRAY	2-1877067-1
80°	GREEN	BLACK	2-1877067-0
	GREEN	GRAY	1-1877067-9
0°	GREEN	BLACK	1-1877067-8
	GREEN	GRAY	1-1877067-7
80°	YELLOW	BLACK	1-1877067-6
	YELLOW	GRAY	1-1877067-5
0°	YELLOW	BLACK	1-1877067-4
	YELLOW	GRAY	1-1877067-3
80°	WHITE	BLACK	1-1877067-2
	WHITE	GRAY	1-1877067-1
0°	WHITE	BLACK	1-1877067-0
	WHITE	GRAY	1877067-9
80°	RED	BLACK	1877067-8
	RED	GRAY	1877067-7
0°	RED	BLACK	1877067-6
	RED	GRAY	1877067-5
80°	BLACK	BLACK	1877067-4
	GRAY	GRAY	1877067-3
0°	BLACK	BLACK	1877067-2
	GRAY	GRAY	1877067-1

60°	BLUE	BLACK	5-1877067-6	7
	BLUE	GRAY	5-1877067-5	7
60°	GREEN	BLACK	5-1877067-4	7
	GREEN	GRAY	5-1877067-3	7
60°	YELLOW	BLACK	5-1877067-2	7
	YELLOW	GRAY	5-1877067-1	7
60°	WHITE	BLACK	5-1877067-0	7
	WHITE	GRAY	4-1877067-9	7
60°	RED	BLACK	4-1877067-8	7
	RED	GRAY	4-1877067-7	7
60°	BLACK	BLACK	4-1877067-6	7
	BLACK	GRAY	4-1877067-5	7
60°	GRAY	BLACK	4-1877067-4	7
	GRAY	GRAY	4-1877067-3	7



THIS DRAWING IS A CONTROLLED DOCUMENT.		DWN R.L. KOLLER 21 JUN 2005	TE Connectivity	
		CHK L. BREKOSKY 28 JUN 2005		
DIMENSIONS:	TOLERANCES UNLESS OTHERWISE SPECIFIED:	APVD -	NAME RECEPTACLE ASSEMBLY PANEL MOUNT 6 POSITION	
mm	0 PLC ± 1 PLC ±0.2 2 PLC ±0.08 3 PLC ± 4 PLC ±	PRODUCT SPEC 108-2249	SIZE A2	CAGE CODE 00779
MATERIAL	ANGLES ±1° FINISH	APPLICATION SPEC 114-13184	DRAWING NO C-1877067	RESTRICTED TO -
		WEIGHT -	SCALE 5:1 SHEET 2 OF 2 REV C.3	
		CUSTOMER DRAWING		