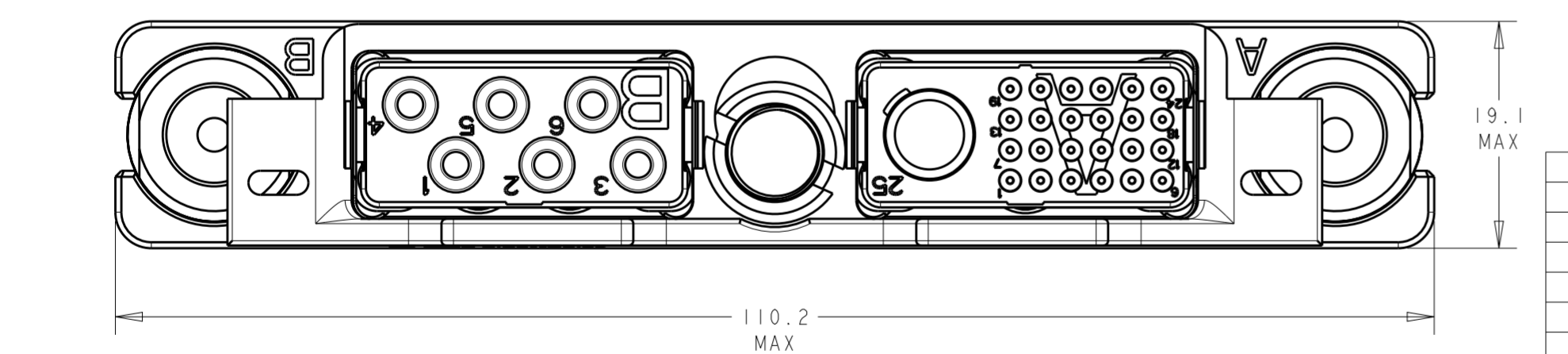
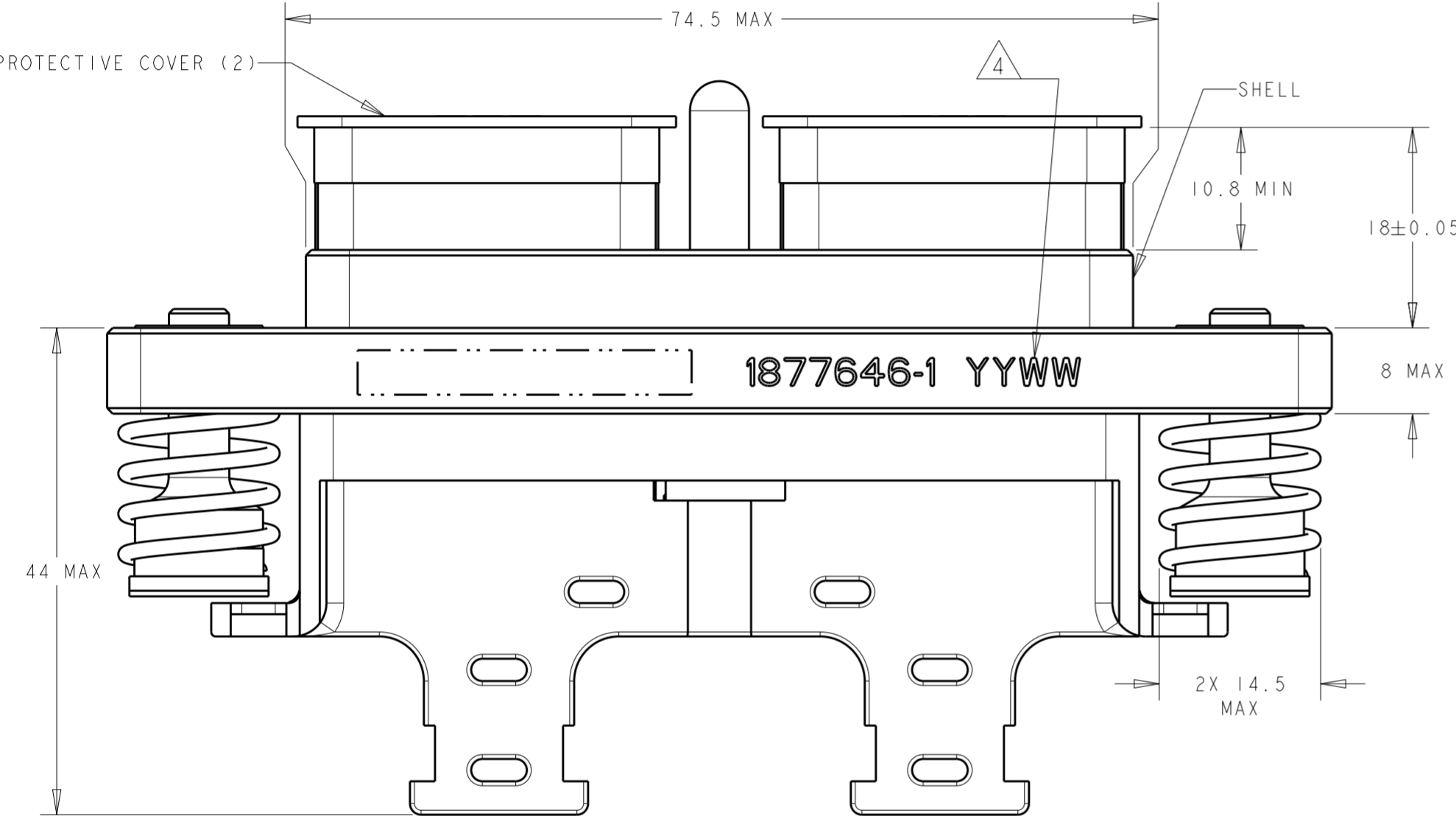
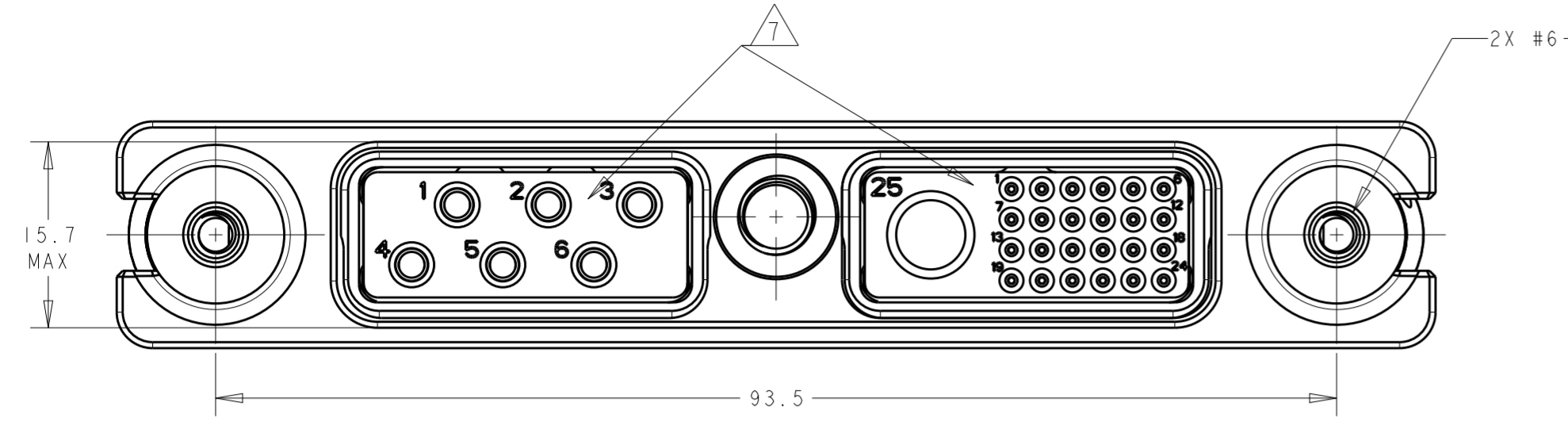
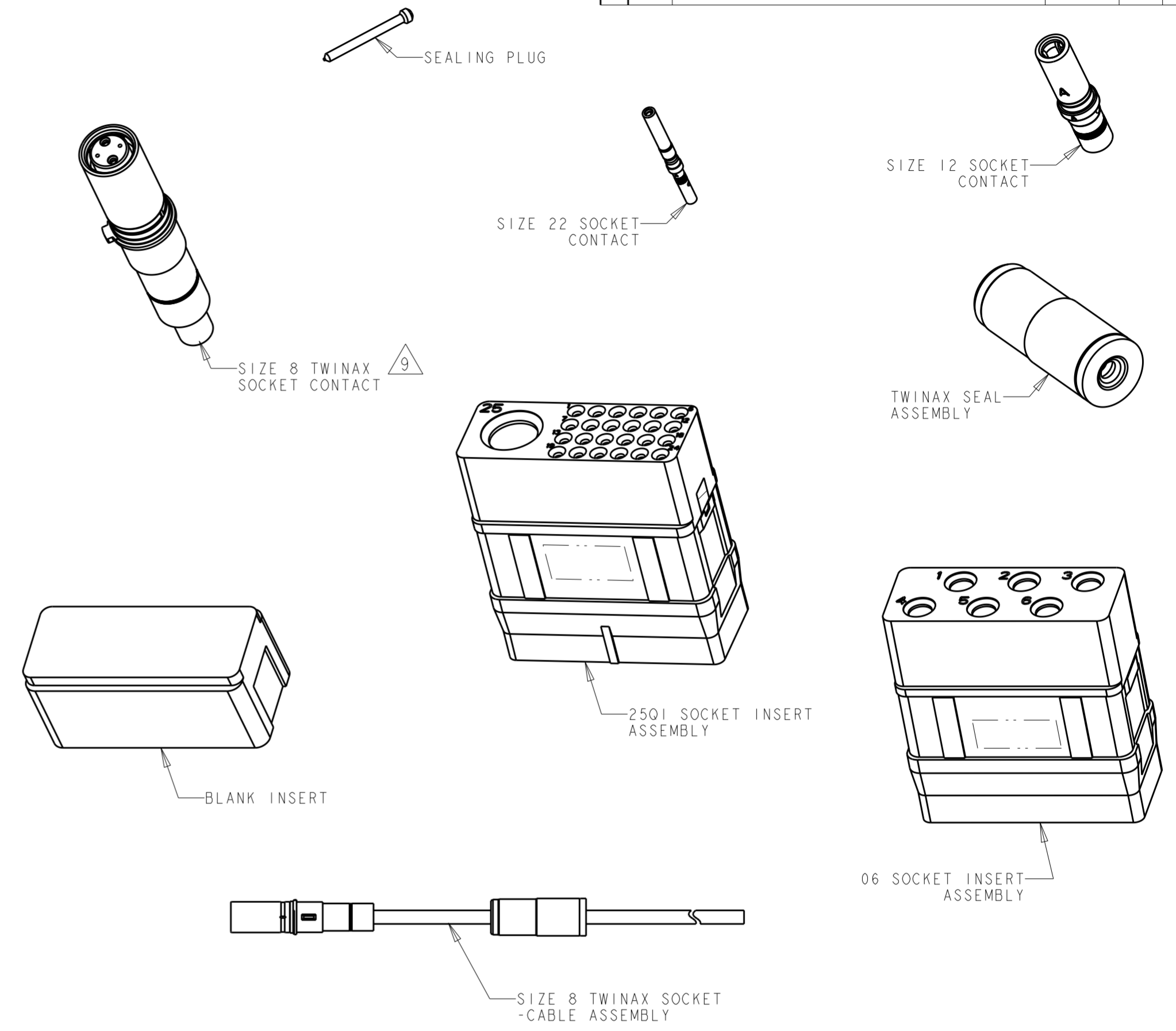


THIS DRAWING IS UNPUBLISHED. RELEASED FOR PUBLICATION 20  
 © COPYRIGHT 20 BY - ALL RIGHTS RESERVED.

REVISIONS					
P	LTR	DESCRIPTION	DATE	DWN	APVD
	12	REV PER ECO 18-017622	11-9-18	CT	CD



PART NUMBER 1877646-1 SHOWN



-	-		24	6	24	-	-				1877646-9
-			24	6	24		-				1877646-8
-			3	6	24		-				1877646-7
-			-	6	24		-				1877646-6
	-		-	6	24	-	-				1877646-5
-	-		9	6	15	-	-				1877646-4
-	-		-	6	-	-	-				1877646-3
-	-		-	6	-	-	-			-	1877646-2
-			9	6	15		-				1877646-1
CABLE ASSEMBLY SIZE 8 TWINAX SOCKET 2102215-2	SEAL ASSEMBLY TWINAX 1954046-1	STRAIN RELIEF KIT 1738313-1	SEALING PLUG 592104-4	SIZE 12 SOCKET CONTACT 1738018-1	SIZE 22 SOCKET CONTACT 1738008-1	SIZE 8 TWINAX SOCKET CONTACT KIT, 1811866-3	BLANK INSERT 1738085-1	06 SOCKET INSERT ASSEMBLY 1738104-1	250I SOCKET INSERT ASSEMBLY 1811122-1	PLUG SHELL ASSEMBLY 1877070-2	PART NUMBER

THIS PRINT IS  
**PRELIMINARY**  
 UNQUALIFIED PRODUCT  
 CONTACT PRODUCT ENGINEERING  
 BEFORE USING THIS PRINT

THIS DRAWING IS A CONTROLLED DOCUMENT.

DIMENSIONS:	TOLERANCES UNLESS OTHERWISE SPECIFIED:	DWN	14MAR2005
mm	0 PLC ±0.2	CHK	14MAR2005
	1 PLC ±0.2	JPM	14MAR2005
	2 PLC ±0.2	APVD	14MAR2005
	3 PLC ±	NAME	KIT, PLUG CONNECTOR, GAIN, GRB2
	4 PLC ±	PRODUCT SPEC	2mm SQ. AIRCRAFT DATA NETWORK
MATERIAL	ANGLES ±	APPLICATION SPEC	
	FINISH ±	WEIGHT	
		CUSTOMER DRAWING	SCALE 2:1 SHEET 1 OF 2 REV 12

STE TE Connectivity  
**PRELIMINARY**  
 SIZE A2 CAGE CODE 00779 DRAWING NO C-1877646 RESTRICTED TO

THIS DRAWING IS UNPUBLISHED. RELEASED FOR PUBLICATION  
 © COPYRIGHT - BY - ALL RIGHTS RESERVED.

REVISIONS				
P	LTR	DESCRIPTION	DATE	APVD
-	-	SEE SHEET 1	-	-

- THE PLUG CONNECTOR KITS CONSIST OF THE FOLLOWING ITEMS, WHICH ARE ALSO AVAILABLE SEPARATELY. THE QUANTITIES OF EACH ARE LISTED IN THE PART NUMBER TABLE.
  - 1877070-2 SOCKET SHELL ASSEMBLY (UNMARKED)
  - 1811122-1 SOCKET INSERT ASSEMBLY, 2501, KEY A - INSTALLED.
  - 1738104-1 SOCKET INSERT ASSEMBLY, 06, KEY B - INSTALLED.
  - 181866-3 SOCKET CONTACT, SIZE 8, TWINAX - NOT INSTALLED.
  - 1738008-1 SOCKET CONTACT, SIZE 22 - NOT INSTALLED.
  - 1738018-1 SOCKET CONTACT, SIZE 12 - NOT INSTALLED.
  - 592104-4 SEALING PLUG - NOT INSTALLED.
  - 1954046-1 SEAL ASSEMBLY, TWINAX - NOT INSTALLED.
  - 1738313-1 STRAIN RELIEF KIT - INSTALLED.
  - 1738085-1 BLANK INSERT - INSTALLED
  - 2102215-2 CABLE ASSEMBLY, SINGLE-ENDED, SOCKET CONTACT TO 120Ω TWINAXIAL CABLE-NOT INSTALLED

- PLUG SHELL ASSEMBLY:
  - SHELL: ALUMINUM ALLOY 6061 T651 PER SAE AMS-QQ-A-250
  - INSERT RETENTION CLIP: COPPER ALLOY PER ASTM B194
  - GUIDE PIN & MOUNTING POST: STAINLESS STEEL PER AISI 303
  - RETAINING NUT & SPRING: STAINLESS STEEL PER AISI 316
  - PROTECTIVE COVER: THERMOPLASTIC ELASTOMER

- 2501 SOCKET INSERT AND 06 SOCKET INSERT ASSEMBLY:
  - FRONT & REAR INSULATORS: HIGH-TEMP THERMOPLASTIC OR THERMOSET EPOXY PER ASTM D5948
  - CONTACT RETENTION CLIPS: STAINLESS STEEL PER AISI 302 OR COPPER ALLOY PER ASTM B194
  - REAR GROMMET: FLUOROSILICONE ELASTOMER PER MIL-R-25988 B EXCEPT 4.6.6.1

- BLANK INSERT: PEI THERMOPLASTIC PER ASTM D5205

- SIZE 22 SOCKET CONTACT AND SIZE 12 SOCKET CONTACTS:
  - CONTACT BODY: COPPER ALLOY PER ASTM B196
  - SLEEVE: STAINLESS STEEL PER AISI 305

- STRAIN RELIEF KIT:
  - SHROUD: PEI THERMOPLASTIC PER ASTM D5205
  - RETAINING NUT: STAINLESS STEEL PER AISI 316

- SIZE 8 TWINAX SOCKET ASSEMBLY:
  - HOOD: STAINLESS STEEL: PER AISI 305
  - OUTER SHELL BODY: COPPER ALLOY PER ASTM B196
  - FRONT AND REAR DIELECTRICS: HIGH-TEMP THERMOPLASTIC
  - SOCKET CONTACTS: COPPER ALLOY PER ASTM B197
  - CRIMP FERRULE: COPPER ALLOY PER ASTM B16

- SEAL ASSEMBLY:
  - SEAL SLEEVE: PPS THERMOPLASTIC PER ASTM D4067, COLOR: NATURAL.
  - SEAL BOOT: FLUOROSILICONE ELASTOMER PER SAE AMS-R-25988, EXCEPT 4.6.6.1.

- SEALING PLUG:
  - TEFLON PER MS27488.

- CABLE ASSEMBLY:
  - TWINAXIAL CABLE:
    - JACKET: MODIFIED FEP
    - SHIELD: COPPER, AWG 40
    - FILLERS: FEP
    - DIELECTRIC: RAYFOAM H
    - CONDUCTORS: HIGH-STRENGTH COPPER ALLOY, AWG 26: 7 STRANDS OF AWG 34
  - SIZE 8 TWINAX SOCKET CONTACT ASSEMBLY: MATERIALS AS LISTED ABOVE
  - SEAL ASSEMBLY: MATERIALS AS LISTED ABOVE

- SHELL: ELECTROLYTIC NICKEL PER SAE AMS QQ-N-290 OVER ELECTROLESS NICKEL PER SAE AMS-2404, CLASS 3.

- GUIDE PIN & MOUNTING POST: PASSIVATED

- SIZE 22 SOCKET AND SIZE 12 SOCKET CONTACT:
  - CONTACT BODY: 1.27µm MIN GOLD PER ASTM B488 OVER 2.54µm MIN NICKEL PER QQ-N-290 ON ENTIRE STOCK.
  - SLEEVE: PASSIVATED.

- SIZE 8 TWINAX SOCKET ASSEMBLY:
  - OUTER SHELL, PIN CONTACTS AND CRIMP FERRULE: 1.27µm MIN GOLD PER ASTM B488 OVER 1.27µm MIN NICKEL PER QQ-N-290 ON ENTIRE STOCK.
  - SLEEVE: PASSIVATED

- CABLE ASSEMBLY:
  - TWINAX CABLE:
    - SHIELD & CONDUCTORS: SILVER
  - SIZE 8 TWINAX SOCKET CONTACT ASSEMBLY: FINISHES AS LISTED ABOVE

- DATE CODE - YEAR & WEEK (YY WW)

- 6-32 SCREWS ARE REQUIRED FOR PANEL MOUNTING (NOT INCLUDED).
  - SCREW HEAD DIAMETER: 8.5mm MAX
  - RECOMMENDED TORQUE: 1.3 N-m [11.5 in-lb] MIN.

- 6-32 THREADED HOLES ARE SELF-LOCKING, HAVING THE SPIRALOCK® THREAD FORM. SPIRALOCK® IS A REGISTERED TRADEMARK OF SPIRALOCK CORPORATION.

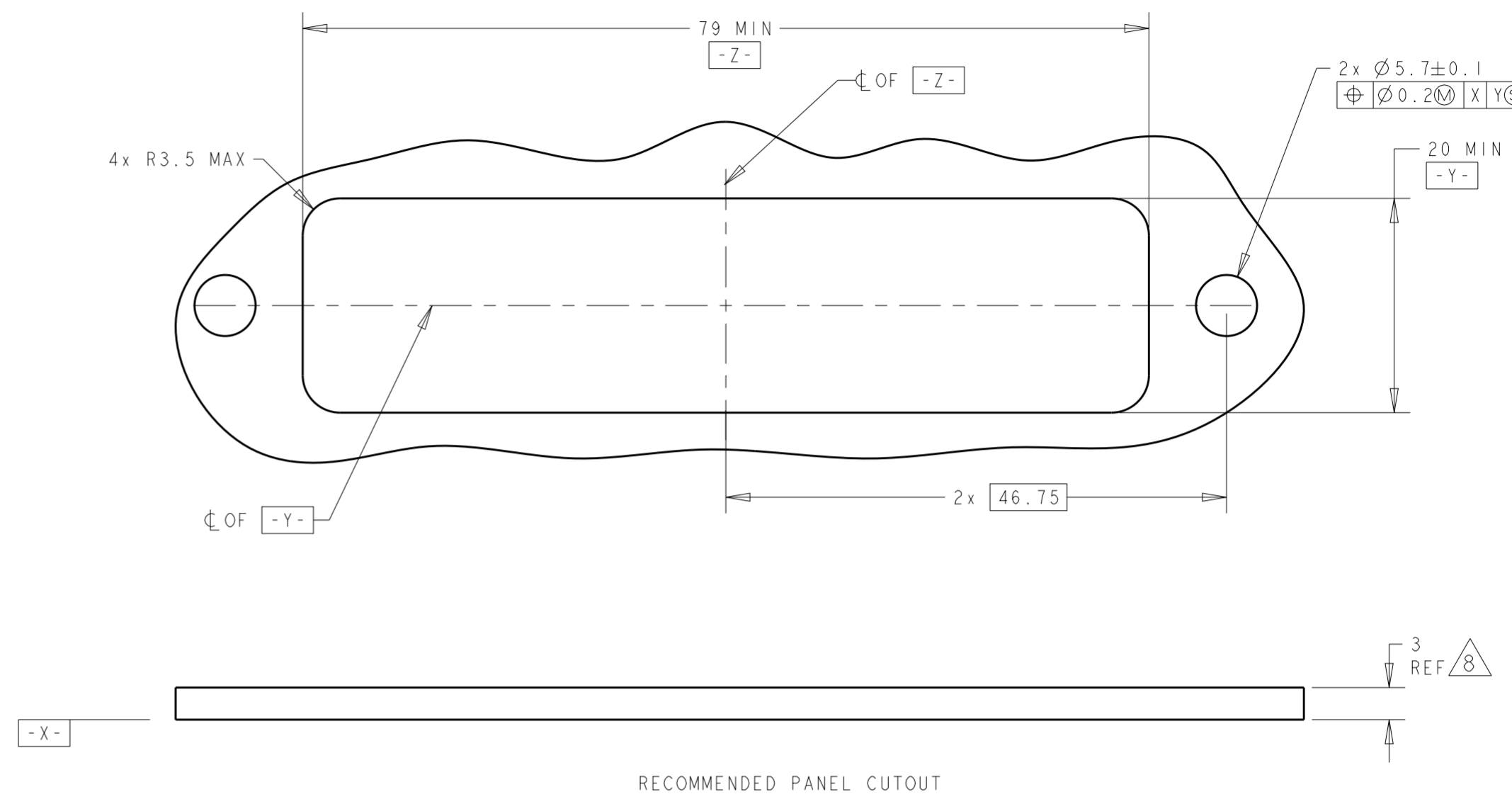
- THE PROTECTIVE COVERS ARE NOT SHOWN FOR CLARITY.

- PANEL THICKNESS: 4.06mm MAX.

- TWINAX CONTACT COMPONENTS ARE PACKAGED IN KIT FORM. THE CABLE MUST BE PURCHASED SEPARATELY.

- TOTAL LATERAL FLOAT: Ø4mm (±2mm)
- REQUIRED AXIAL DISPLACEMENT IN THE MATING DIRECTION: 2.25±1mm

- THIS PRODUCT IS SOLD BY TYCO ELECTRONICS UNDER A LICENSE FROM RADIALL SA.



RECOMMENDED PANEL CUTOUT

THIS PRINT IS  
**PRELIMINARY**  
 UNQUALIFIED PRODUCT  
 CONTACT PRODUCT ENGINEERING  
 BEFORE USING THIS PRINT

THIS DRAWING IS A CONTROLLED DOCUMENT.		DWN BW	06 JAN 06	 TE Connectivity
		CHK JPM	06 JAN 06	
		APVD JPM	06 JAN 06	
		NAME	KIT, PLUG CONNECTOR, GAIN, GPRB2 2mm SQ, AIRCRAFT DATA NETWORK	
DIMENSIONS: mm		TOLERANCES UNLESS OTHERWISE SPECIFIED: 0 PLC ±0.2 1 PLC ±0.2 2 PLC ±0.2 3 PLC ± 4 PLC ± ANGLES ± FINISH ±		PRODUCT SPEC - APPLICATION SPEC - WEIGHT - CUSTOMER DRAWING
		SCALE 2:1 SHEET 2 OF 2 REV 12		SIZE A2 CAGE CODE 00779 DRAWING NO. C-1877646 RESTRICTED TO