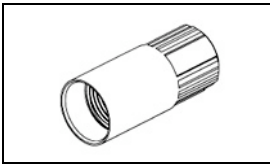


1877841-4 Product Details

[Share](#) [Print](#) [Email](#)



1877841-4

TE Internal Number: 1877841-4
✔ Active

[View 3D PDF](#)

CPC Medical Connectors

✔ Always EU RoHS/ELV Compliant (Statement of Compliance)

Product Highlights:

- Accessory
- Accessory Type = Nut
- Nut Color = Green
- Nut Type = Back
- RoHS compliant, ELV compliant

[View all Features](#)

Quick Links

- ▶ [Pricing & Availability](#)
- ▶ [Search for Tooling](#)
- ▶ [Product Feature Selector](#)
- ▶ [Contact Us About This Product](#)

[Add to My Part List](#) [Request Sample](#) [Find Similar Products](#) [Buy Product](#)

Documentation & Additional Information

Product Drawings:

- [COLLET, BACK-NUT](#) (PDF, English)

Catalog Pages/Data Sheets:

- [CPC Medical Connector](#) (PDF, English)

Product Specifications:

- None Available

Application Specifications:

- [Push-Pull Latch Medical Circular Plastic Connectors ...](#) (PDF, English)

Instruction Sheets:

- None Available

CAD Files: [\(CAD Format & Compression Information\)](#)

- [2D Drawing](#) (DXF, Version A)
- [3D Model](#) (IGES, Version A)
- [3D Model](#) (STEP, Version A)

[List all Documents](#)

Additional Information:

- [Product Line Information](#)

Related Products:

- [Tooling](#)

Product Features (Please use the Product Drawing for all design activity)

Product Type Features:

- Product Type = Accessory
- Accessory Type = Nut

Mechanical Attachment:

- Nut Type = Back

Body Features:

- Nut Color = Green

Industry Standards:

- [RoHS/ELV Compliance](#) = RoHS compliant, ELV compliant
- [Lead Free Solder Processes](#) = Hand solderable with lead free solder
- [RoHS/ELV Compliance History](#) = Always was RoHS compliant

Other:

- Brand = TE Connectivity

Corporate Information

[About TE](#)
[Investors](#)
[News Room](#)
[Supplier Portal](#)
[Careers](#)
[Terms & Conditions](#)
[Privacy Policy](#)

Quick Links

[Distributor Inventory](#)
[Product Cross Reference](#)
[Documents & Drawings](#)
[Product Compliance Support Center](#)
[Site Map](#)

Customer Support

[Email or Chat With Us](#)
[Find a Phone Number](#)
[Knowledge Base](#)
[Manage Your Account](#)

Keep Me Informed



4

3

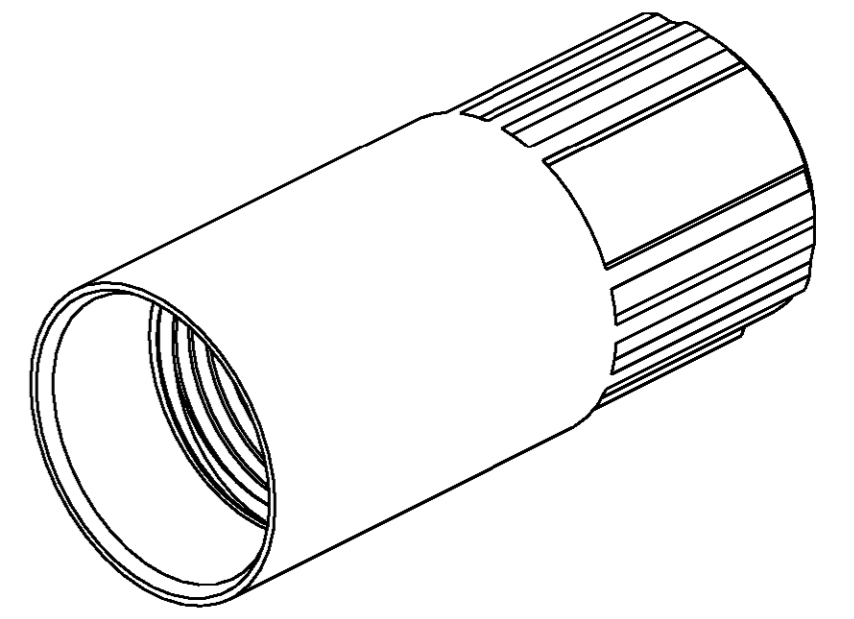
2

1

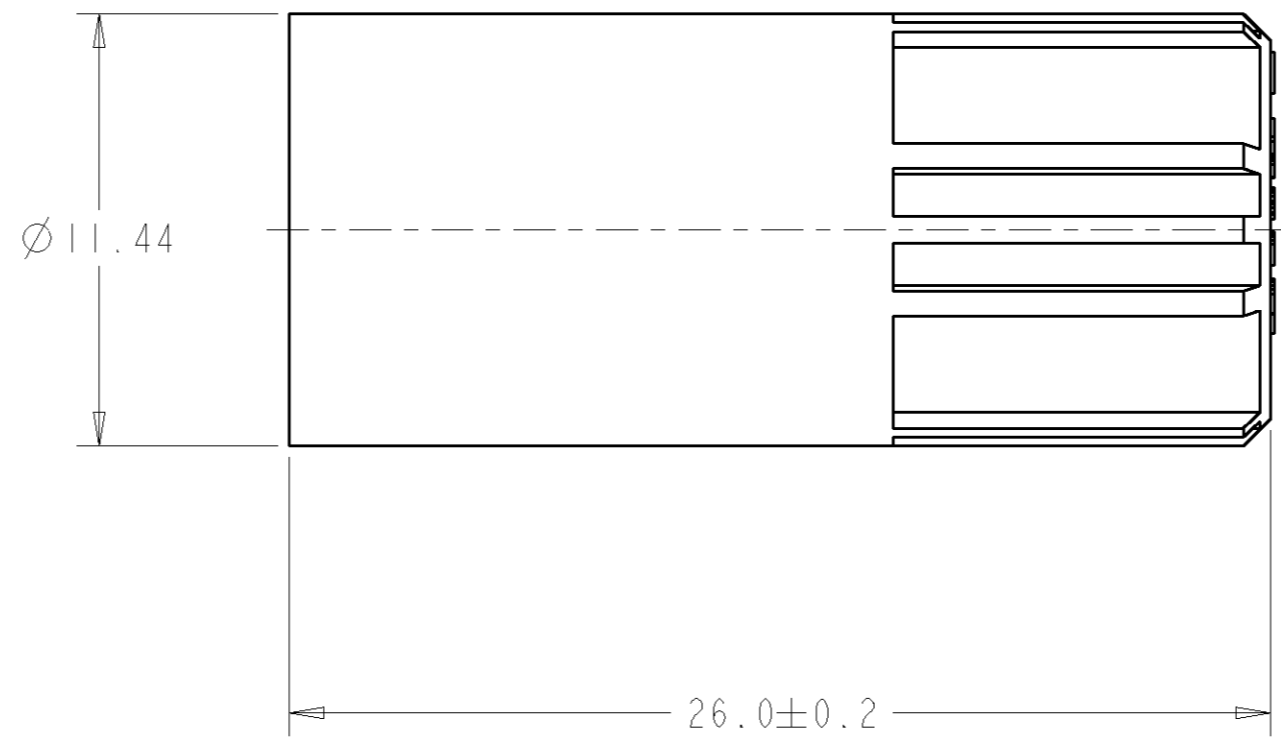
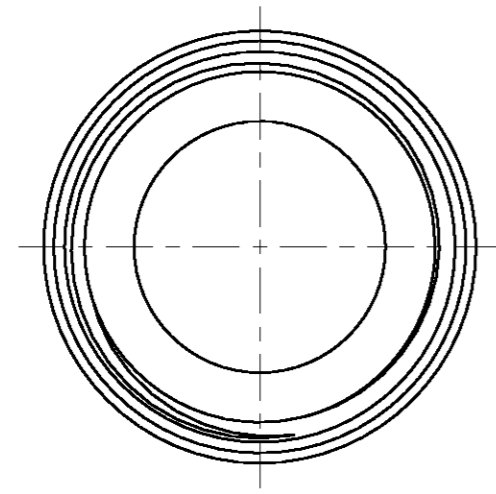
THIS DRAWING IS UNPUBLISHED. RELEASED FOR PUBLICATION 20
 © COPYRIGHT 20 BY TYCO ELECTRONICS CORPORATION. ALL RIGHTS RESERVED.

LOC	DIST	REVISIONS					
		P	LTR	DESCRIPTION	DATE	DWN	APVD
AD	00		A	ECO-07-01031	14MAY2007	RB	DR

⚠ MATERIAL: THERMOPLASTIC, COLOR: SEE TABLE



SCALE 4:1



BLACK	1877841-7
GRAY	1877841-6
BLUE	1877841-5
GREEN	1877841-4
YELLOW	1877841-3
WHITE	1877841-2
RED	1877841-1
COLOR	PART NO.

<small>THIS DRAWING IS A CONTROLLED DOCUMENT FOR TYCO ELECTRONICS CORPORATION. IT IS SUBJECT TO CHANGE AND THE CONTROLLING ENGINEERING ORGANIZATION SHOULD BE CONTACTED FOR THE LATEST REVISION.</small>		DWN: 07DEC2006 RLK CHK: 14DEC2006 L. BREKOSKY APVD: -	Tyco Electronics Harrisburg, PA 17105-3608
DIMENSIONS: mm 	TOLERANCES UNLESS OTHERWISE SPECIFIED: 0 PLC ± 1 PLC ±0.13 2 PLC ±0.08 3 PLC ± 4 PLC ± ANGLES ±° FINISH	PRODUCT SPEC: - APPLICATION SPEC: - WEIGHT: -	NAME: COLLET, BACK-NUT SIZE: A2 CAGE CODE: 00779 DRAWING NO: 1877841 RESTRICTED TO: -
MATERIAL:		CUSTOMER DRAWING SCALE: 5:1 SHEET 1 OF 1 REV A	