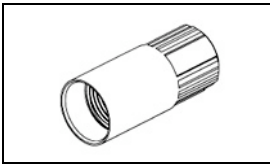


## 1877841-5 Product Details

[Share](#) [Print](#) [Email](#)



**1877841-5**

TE Internal Number: 1877841-5

 Active

 [View 3D PDF](#)

### CPC Medical Connectors

 Always EU RoHS/ELV Compliant (Statement of Compliance)

#### Product Highlights:

- Accessory
- Accessory Type = Nut
- Nut Color = Blue
- Nut Type = Back
- RoHS compliant, ELV compliant

[View all Features](#)

### Quick Links

- ▶ [Pricing & Availability](#)
- ▶ [Search for Tooling](#)
- ▶ [Product Feature Selector](#)
- ▶ [Contact Us About This Product](#)

[Add to My Part List](#)

[Request Sample](#)

[Find Similar Products](#)

[Buy Product](#)

### Documentation & Additional Information

#### Product Drawings:

- [COLLET, BACK-NUT](#) (PDF, English)

#### Catalog Pages/Data Sheets:

- [CPC Medical Connector](#) (PDF, English)

#### Product Specifications:

- None Available

#### Application Specifications:

- [Push-Pull Latch Medical Circular Plastic Connectors ...](#) (PDF, English)

#### Instruction Sheets:

- None Available

#### CAD Files: [\(CAD Format & Compression Information\)](#)

- [2D Drawing](#) (DXF, Version A)
- [3D Model](#) (IGES, Version A)
- [3D Model](#) (STEP, Version A)

[List all Documents](#)

#### Additional Information:

- [Product Line Information](#)

#### Related Products:

- [Tooling](#)

### Product Features (Please use the Product Drawing for all design activity)

#### Product Type Features:

- Product Type = Accessory
- Accessory Type = Nut

#### Mechanical Attachment:

- Nut Type = Back

#### Body Features:

- Nut Color = Blue

#### Industry Standards:

- [RoHS/ELV Compliance](#) = RoHS compliant, ELV compliant
- [Lead Free Solder Processes](#) = Hand solderable with lead free solder
- [RoHS/ELV Compliance History](#) = Always was RoHS compliant

#### Other:

- Brand = TE Connectivity

### Corporate Information

[About TE](#)  
[Investors](#)  
[News Room](#)  
[Supplier Portal](#)  
[Careers](#)  
[Terms & Conditions](#)  
[Privacy Policy](#)

### Quick Links

[Distributor Inventory](#)  
[Product Cross Reference](#)  
[Documents & Drawings](#)  
[Product Compliance Support Center](#)  
[Site Map](#)

### Customer Support

[Email or Chat With Us](#)  
[Find a Phone Number](#)  
[Knowledge Base](#)  
[Manage Your Account](#)

### Keep Me Informed



4

3

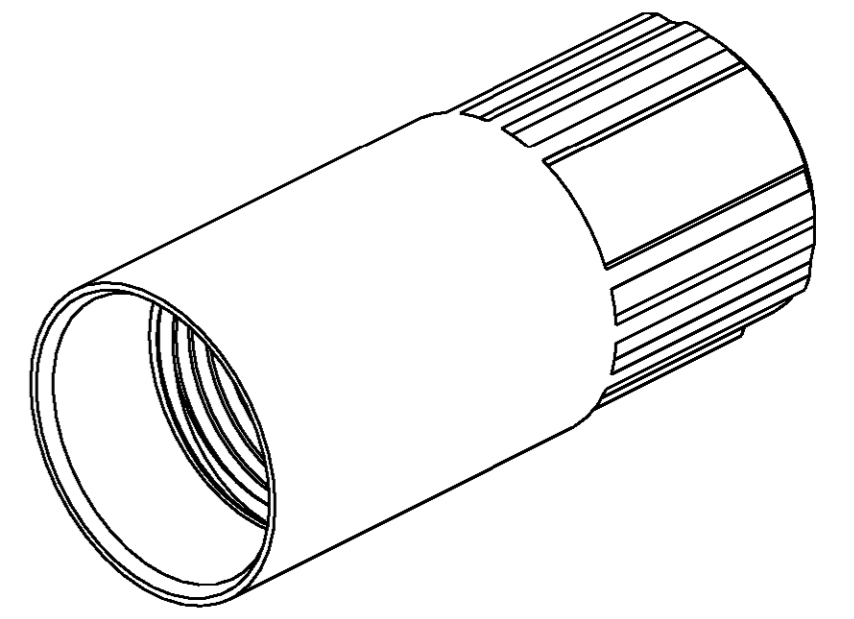
2

1

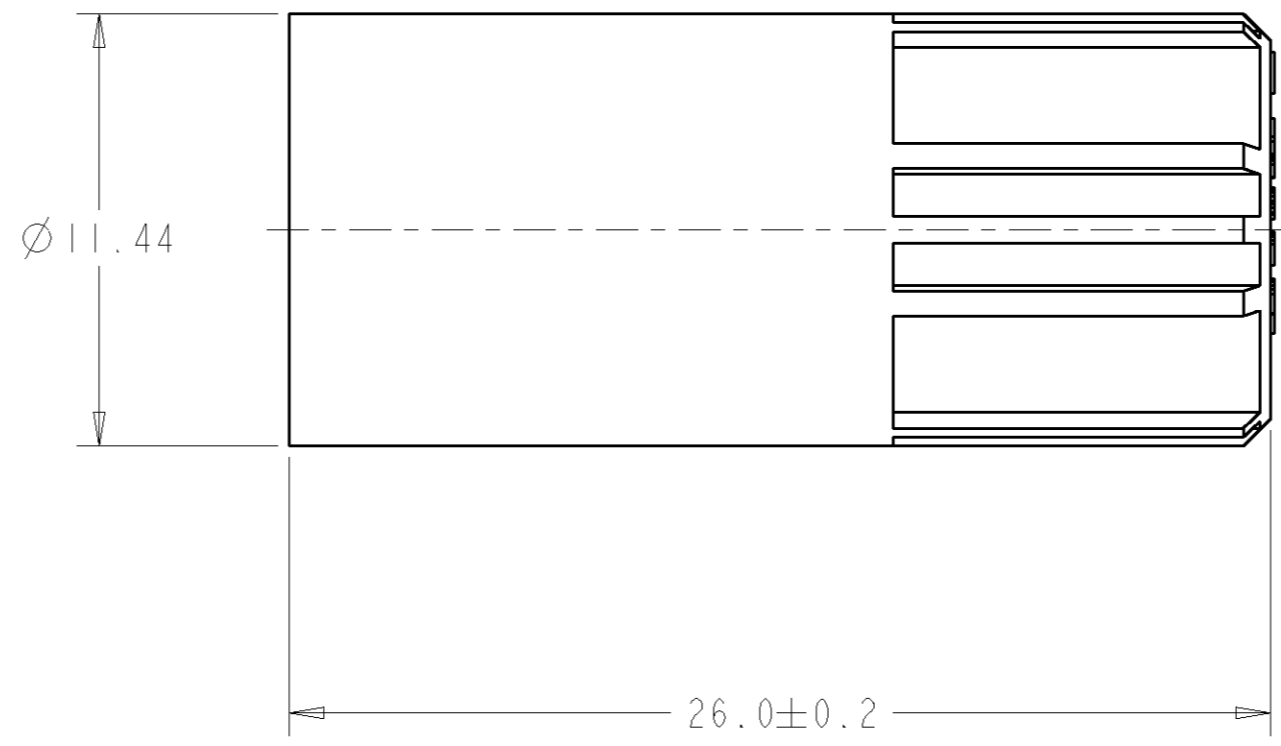
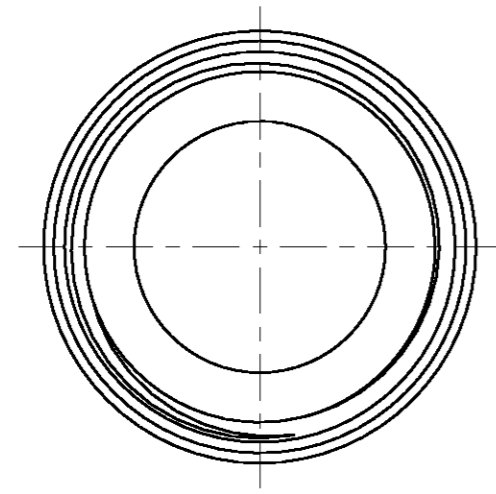
THIS DRAWING IS UNPUBLISHED. RELEASED FOR PUBLICATION 20  
 © COPYRIGHT 20 BY TYCO ELECTRONICS CORPORATION. ALL RIGHTS RESERVED.

LOC	DIST	REVISIONS					
		P	LTR	DESCRIPTION	DATE	DWN	APVD
AD	00		A	ECO-07-01031	14MAY2007	RB	DR

⚠ MATERIAL: THERMOPLASTIC, COLOR: SEE TABLE



SCALE 4:1



BLACK	1877841-7
GRAY	1877841-6
BLUE	1877841-5
GREEN	1877841-4
YELLOW	1877841-3
WHITE	1877841-2
RED	1877841-1
COLOR	PART NO.

THIS DRAWING IS A CONTROLLED DOCUMENT FOR TYCO ELECTRONICS CORPORATION. IT IS SUBJECT TO CHANGE AND THE CONTROLLING ENGINEERING ORGANIZATION SHOULD BE CONTACTED FOR THE LATEST REVISION.		DWN	07DEC2006	Tyco Electronics Harrisburg, PA 17105-3608	
DIMENSIONS: mm		CHK	14DEC2006	NAME COLLET, BACK-NUT	
TOLERANCES UNLESS OTHERWISE SPECIFIED: 0 PLC ± 1 PLC ±0.13 2 PLC ±0.08 3 PLC ± 4 PLC ±		APVD	-	PRODUCT SPEC -	
MATERIAL ⚠ -		FINISH	-	APPLICATION SPEC -	
		WEIGHT	-	SIZE	A2
		CUSTOMER DRAWING		CAGE CODE	00779
				DRAWING NO	1877841
				RESTRICTED TO	-
				SCALE	5:1
				SHEET	1
				OF	1
				REV	A