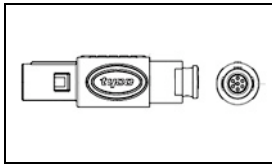


1877851-3 Product Details

[Share](#) [Print](#) [Email](#)



1877851-3

TE Internal Number: 1877851-3

 Active

[View 3D PDF](#)

CPC Medical Connectors

 Always EU RoHS/ELV Compliant (Statement of Compliance)

Product Highlights:

- Connector
- Connector Style = Plug
- Housing Color = Gray
- 7 Positions
- Cable Diameter Range = 6.4

[View all Features](#)

Quick Links

- ▶ [Pricing & Availability](#)
- ▶ [Search for Tooling](#)
- ▶ [Product Feature Selector](#)
- ▶ [Contact Us About This Product](#)

[Add to My Part List](#)

[Request Sample](#)

[Find Similar Products](#)

[Buy Product](#)

Documentation & Additional Information

Product Drawings:

- [7 POSITION OVERMOLD CABLE NUT STRAIGHT PLUG ASSEMBLY \(PDF, English\)](#)

Catalog Pages/Data Sheets:

- [CPC Medical Connector \(PDF, English\)](#)

Product Specifications:

- [Medical Circular Plastic Connector \(PDF, English\)](#)

Application Specifications:

- [Push-Pull Latch Medical Circular Plastic Connectors ... \(PDF, English\)](#)

Instruction Sheets:

- None Available

CAD Files: [\(CAD Format & Compression Information\)](#)

- [2D Drawing \(DXF, Version B4\)](#)
- [3D Model \(IGES, Version B4\)](#)
- [3D Model \(STEP, Version B4\)](#)

[List all Documents](#)

Additional Information:

- [Product Line Information](#)

Related Products:

- [Tooling](#)

Product Features (Please use the Product Drawing for all design activity)

Product Type Features:

- Product Type = Connector

Dimensions:

- Cable Diameter Range = 6.4

Body Features:

- Strain Relief Type = Overmold
- O-Ring Material = Elastomer

Contact Features:

- Contact Finish = Gold over Nickel
- Contact Base Material = Brass

Housing Features:

- Connector Style = Plug
- Housing Color = Gray
- Alignment Keyed = 0°
- Housing Material = Thermoplastic - GF
- UL Flammability Rating = UL 94V-0

Configuration Features:

- Number of Positions = 7

Industry Standards:

- [RoHS/ELV Compliance](#) = RoHS compliant, ELV compliant
- [Lead Free Solder Processes](#) = Hand solderable with lead free solder
- [RoHS/ELV Compliance History](#) = Always was RoHS compliant

Other:

- Bend Relief = With
- Brand = TE Connectivity

Corporate Information

[About TE](#)
[Investors](#)
[News Room](#)
[Supplier Portal](#)
[Careers](#)
[Terms & Conditions](#)

Quick Links

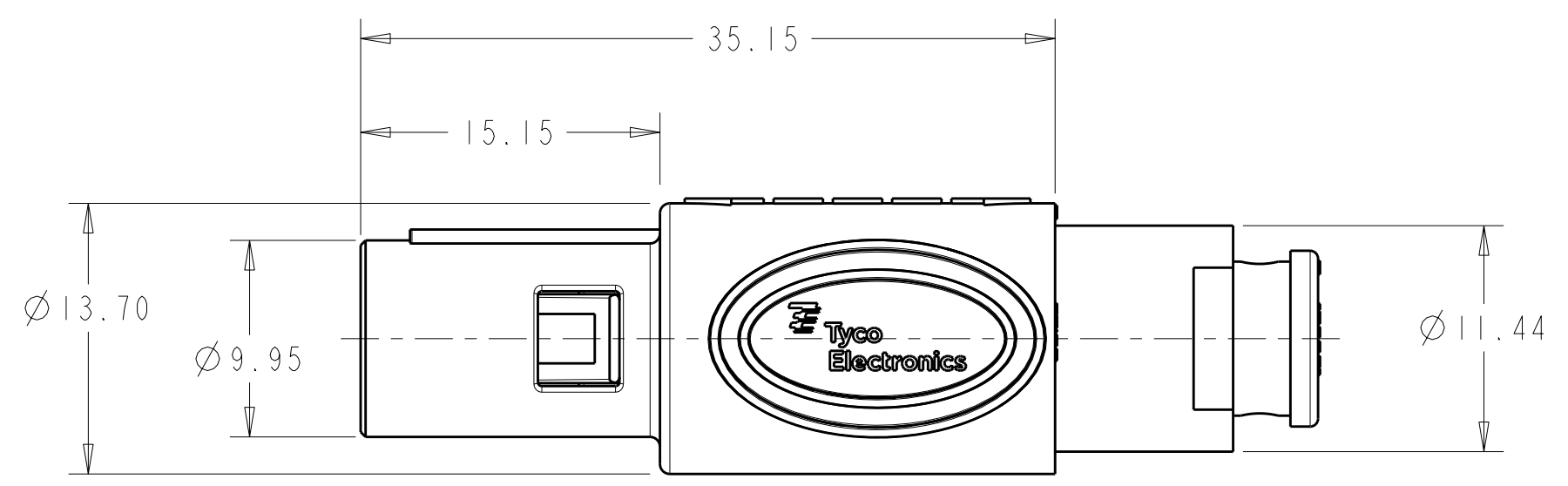
[Distributor Inventory](#)
[Product Cross Reference](#)
[Documents & Drawings](#)
[Product Compliance Support Center](#)
[Site Map](#)

Customer Support

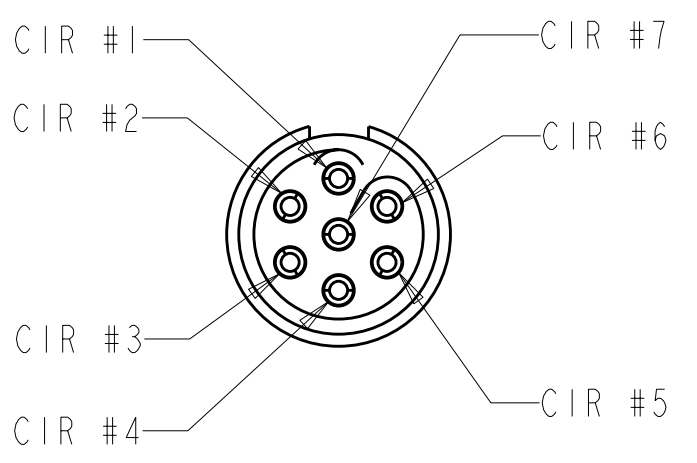
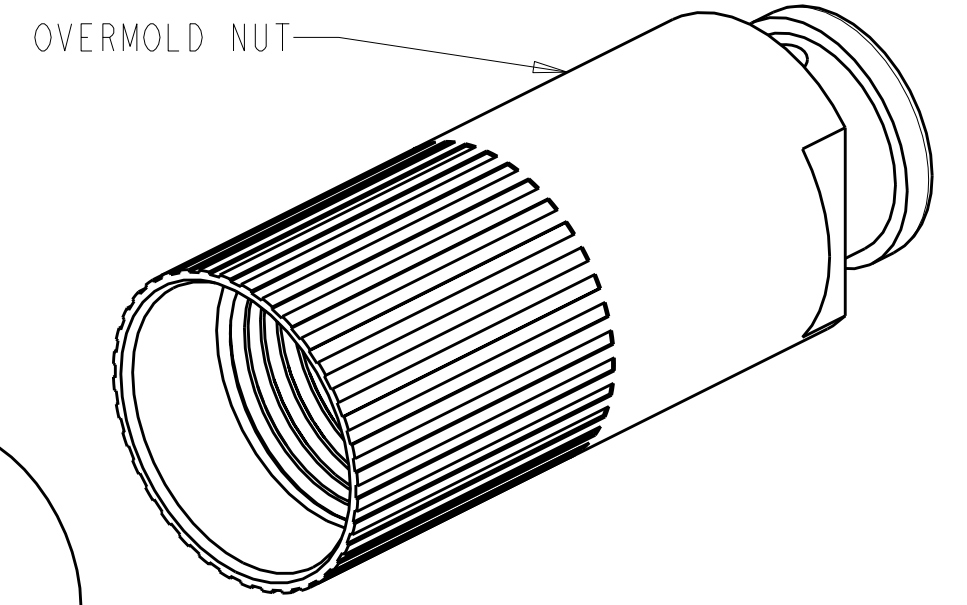
[Email or Chat With Us](#)
[Find a Phone Number](#)
[Knowledge Base](#)
[Manage Your Account](#)

THIS DRAWING IS UNPUBLISHED. RELEASED FOR PUBLICATION 20
 © COPYRIGHT 20 BY TYCO ELECTRONICS CORPORATION. ALL RIGHTS RESERVED.

LOC	DIST	REVISIONS					
AD	00	P	LTR	DESCRIPTION	DATE	DWN	APVD
		B3		REVISED PER ECO-08-022187	06SEP2008	HMR	DR
		B4		REVISED PER ECO-09-008097	07APR2009	MF	DR

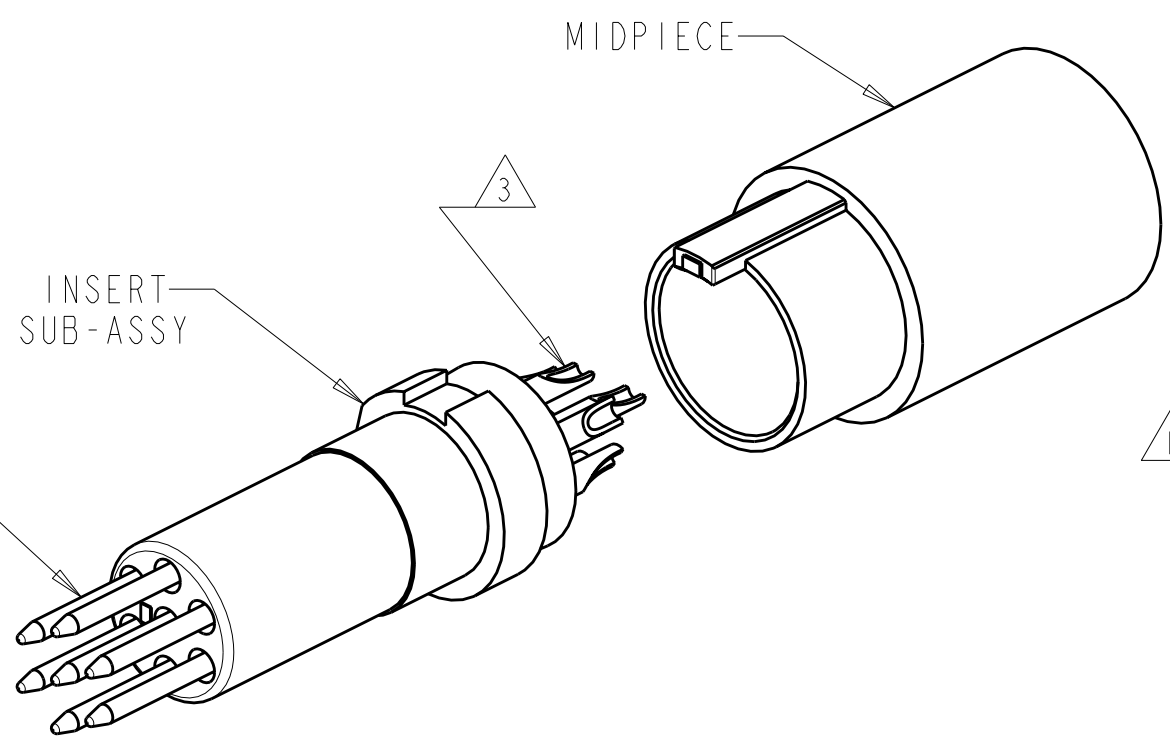
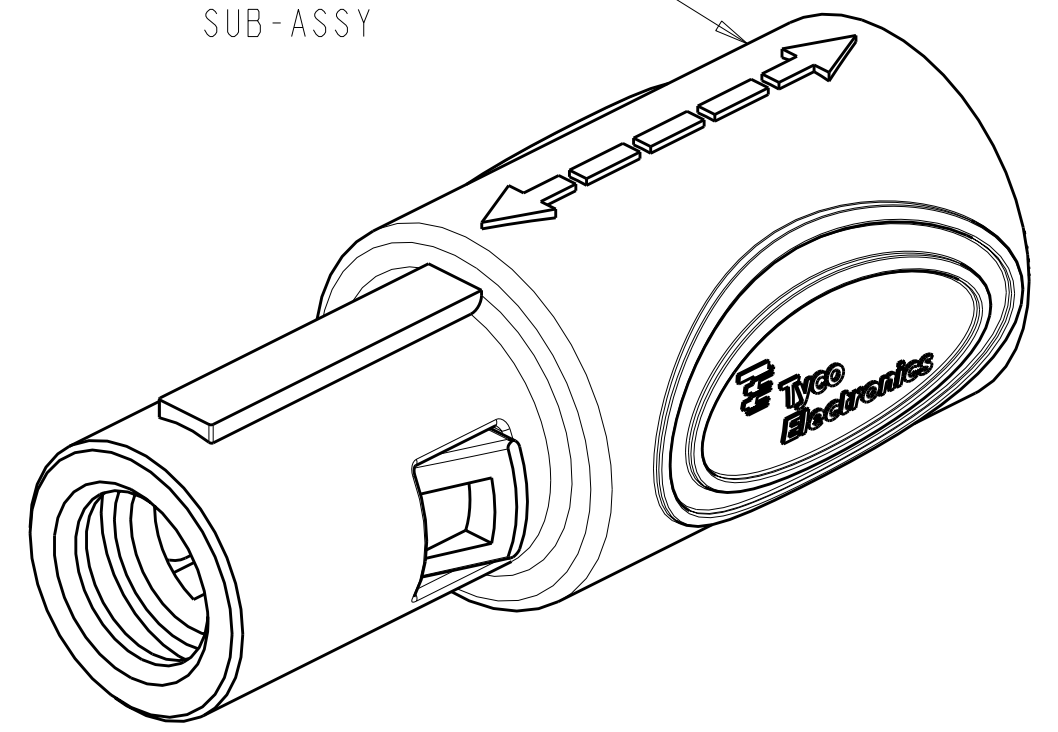


SCALE 3:1

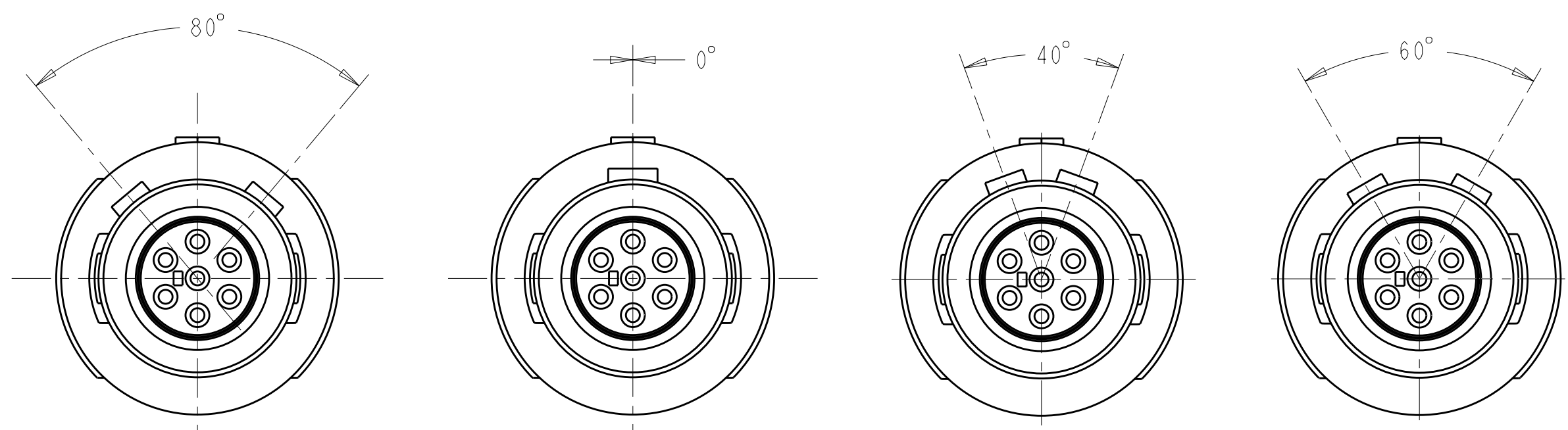


INSERT SUB-ASSY
CIRCUIT DESIGNATION VIEW

KEYED LATCH HOUSING W/ O-RING
SUB-ASSY



- 1 MATERIAL:
CONTACT: BRASS
LATCH HOUSING, INSERT, MIDPIECE, NUT:
UL 94V-0 RATED THERMOPLASTIC
O-RING: ELASTOMER
COLOR:
MIDPIECE AND INSERT: GRAY
LATCH HOUSING AND OVERMOLD NUT: SEE TABLE
O-RING: BLACK
- 2 FINISH:
CONTACT, 0.75µm MIN. GOLD OVER NICKEL
- 3 SOLDER TERMINATION CONTACT, 26 AWG WIRE MAX.
- 4. PRODUCT IS SUPPLIED UNASSEMBLED
- 5 PRELIMINARY PART NUMBER.



80° KEYING
SCALE 4:1

0° KEYING
SCALE 4:1

40° KEYING
SCALE 4:1

60° KEYING
SCALE 4:1

5	GRAY	60°	1877851-8
5	BLACK	60°	1877851-7
	GRAY	40°	1877851-6
	BLACK	40°	1877851-5
	GRAY	80°	1877851-4
	GRAY	0°	1877851-3
	BLACK	80°	1877851-2
	BLACK	0°	1877851-1
	LATCH HOUSING AND NUT COLOR	KEYING	PART NO.

THIS DRAWING IS A CONTROLLED DOCUMENT FOR TYCO ELECTRONICS CORPORATION. IT IS SUBJECT TO CHANGE AND THE CONTROLLING ENGINEERING ORGANIZATION SHOULD BE CONTACTED FOR THE LATEST REVISION.		DWN K. MILLER 09MAR2006	Tyco Electronics Harrisburg, PA 17105-3608	
DIMENSIONS: mm		CHK L. BREKOSKY 09MAR2006	NAME 7 POSITION OVERMOLD CABLE NUT STRAIGHT PLUG ASSEMBLY	
TOLERANCES UNLESS OTHERWISE SPECIFIED: 0 PLC ±- 1 PLC ±0.13 2 PLC ±0.08 3 PLC ±- 4 PLC ±- ANGLES ±1° FINISH		APVD -	PRODUCT SPEC 108-2249	RESTRICTED TO -
MATERIAL 1 -		APPLICATION SPEC 114-13184	SIZE A2	CAGE CODE 00779
CUSTOMER DRAWING		WEIGHT -	DRAWING NO C-1877851	SHEET 1 OF 1
		SCALE 5:1	REV B4	