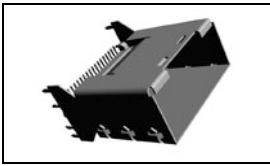


## 1888174-4 Product Details

[Share](#) [Print](#) [Email](#)



**1888174-4**

TE Internal Number: 1888174-4

 Active

[View 3D PDF](#)

### Serial ATA & Serial Attached SCSI

 Always EU RoHS/ELV Compliant (Statement of Compliance)

#### Product Highlights:

- Connector
- With Shell
- Receptacle
- 36 Positions
- 1 Ports

[View all Features](#)

### Quick Links

- ▶ [Pricing & Availability](#)
- ▶ [Search for Tooling](#)
- ▶ [Product Feature Selector](#)
- ▶ [Contact Us About This Product](#)

[Add to My Part List](#) [Request Sample](#) [Find Similar Products](#) [Buy Product](#)

### Documentation & Additional Information

#### Product Drawings:

- [EVERCLEAR Mini-SAS VERTICAL INTERNAL RECEPTACLE ASSY...](#) (PDF, English)

#### Catalog Pages/Data Sheets:

- [EVERCLEAR Mini Multi-Lane High Speed Interconnects D...](#) (PDF, English)

#### Product Specifications:

- None Available

#### Application Specifications:

- None Available

#### Instruction Sheets:

- None Available

#### CAD Files: [\(CAD Format & Compression Information\)](#)

- [2D Drawing](#) (DXF, Version A)
- [3D Model](#) (IGES, Version A)
- [3D Model](#) (STEP, Version A)

[List all Documents](#)

#### Related Products:

- [Tooling](#)

### Product Features (Please use the Product Drawing for all design activity)

#### Product Type Features:

- [Product Type](#) = Connector
- [Connector Type](#) = Receptacle
- [PCB Mounting Orientation](#) = Vertical
- [Receptacle Configuration](#) = Mini-SAS
- [PCB Mount Style](#) = Through Hole
- [PCB Mount Retention](#) = Without
- [Keyed](#) = Yes
- [Key Type](#) = 2

#### Termination Features:

- [Termination Post Length](#) (mm [in]) = 2.80 [0.1102]

#### Contact Features:

- [Contact Base Material](#) = Phosphor Bronze
- [Contact Plating, Mating Area, Material](#) = Gold (30)

#### Configuration Features:

- [Shell](#) = With
- [Number of Positions](#) = 36
- [Number of Ports](#) = 1
- [Stackable](#) = No

#### Industry Standards:

- [RoHS/ELV Compliance](#) = RoHS compliant, ELV compliant
- [Lead Free Solder Processes](#) = Reflow solder capable to 245°C, Reflow solder capable to 260°C
- [RoHS/ELV Compliance History](#) = Always was RoHS compliant

#### Conditions for Usage:

- [High Temperature Housing](#) = Yes

#### Packaging Features:

- [Packaging Method](#) = Tube

#### Other:

- [Brand](#) = TE Connectivity
- [Proprietary Name](#) = EVERCLEAR

### Corporate Information

- [About TE](#)
- [Investors](#)
- [News Room](#)
- [Supplier Portal](#)

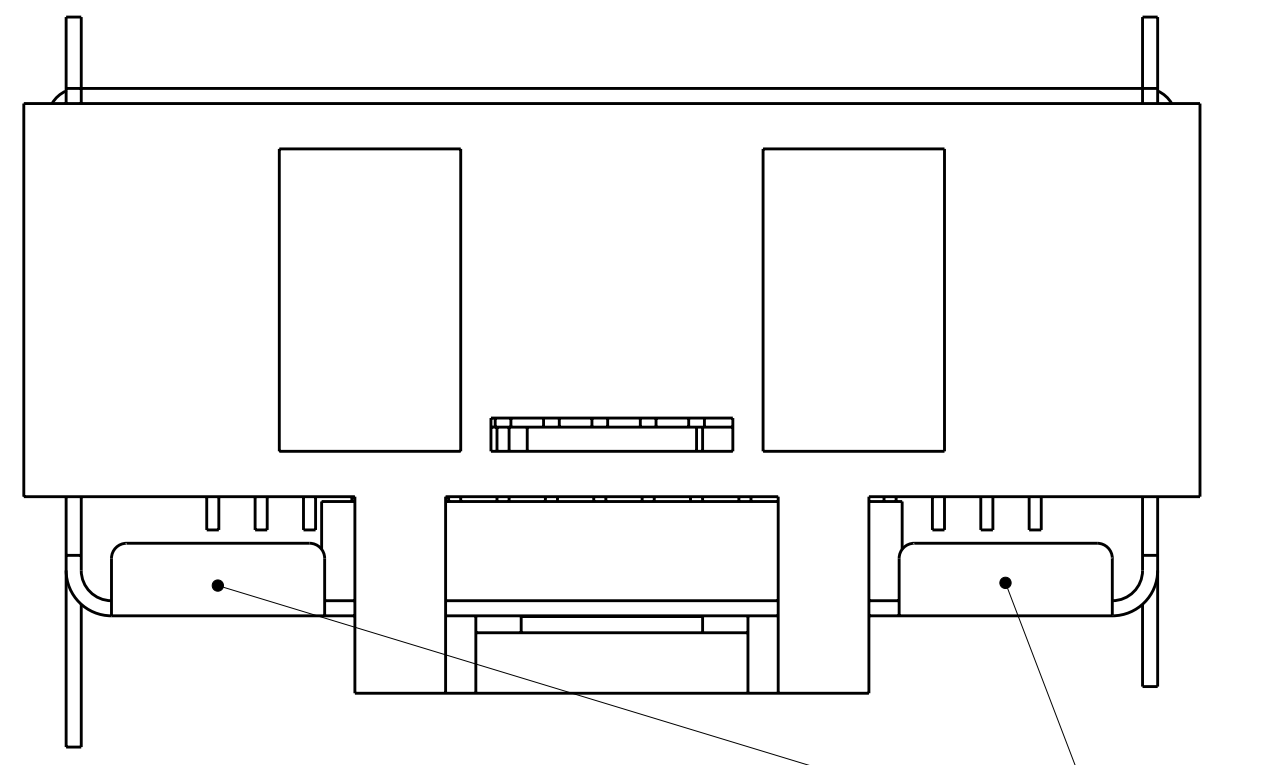
### Quick Links

- [Distributor Inventory](#)
- [Product Cross Reference](#)
- [Documents & Drawings](#)
- [Product Compliance Support Center](#)

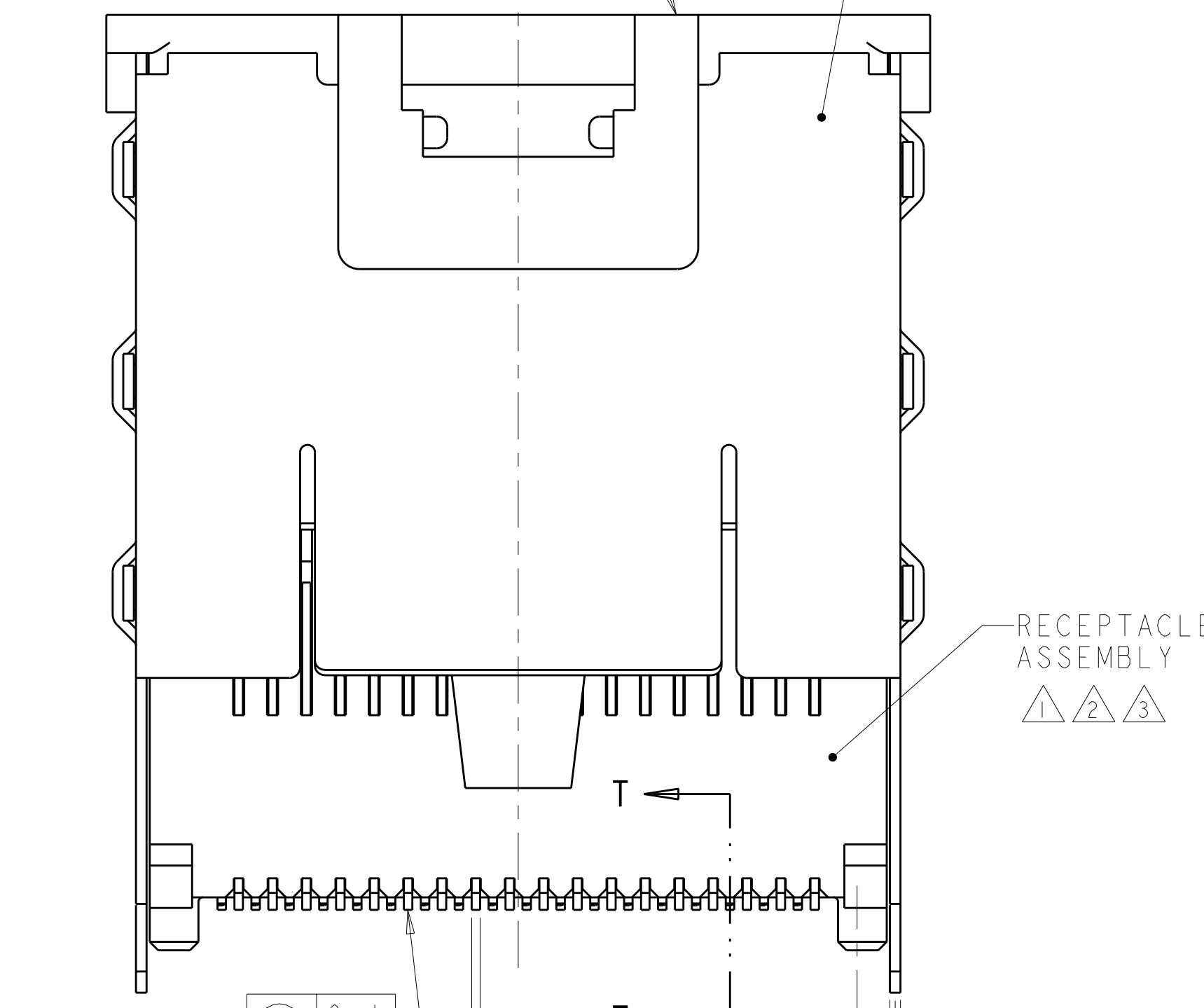
### Customer Support

- [Email or Chat With Us](#)
- [Find a Phone Number](#)
- [Knowledge Base](#)
- [Manage Your Account](#)

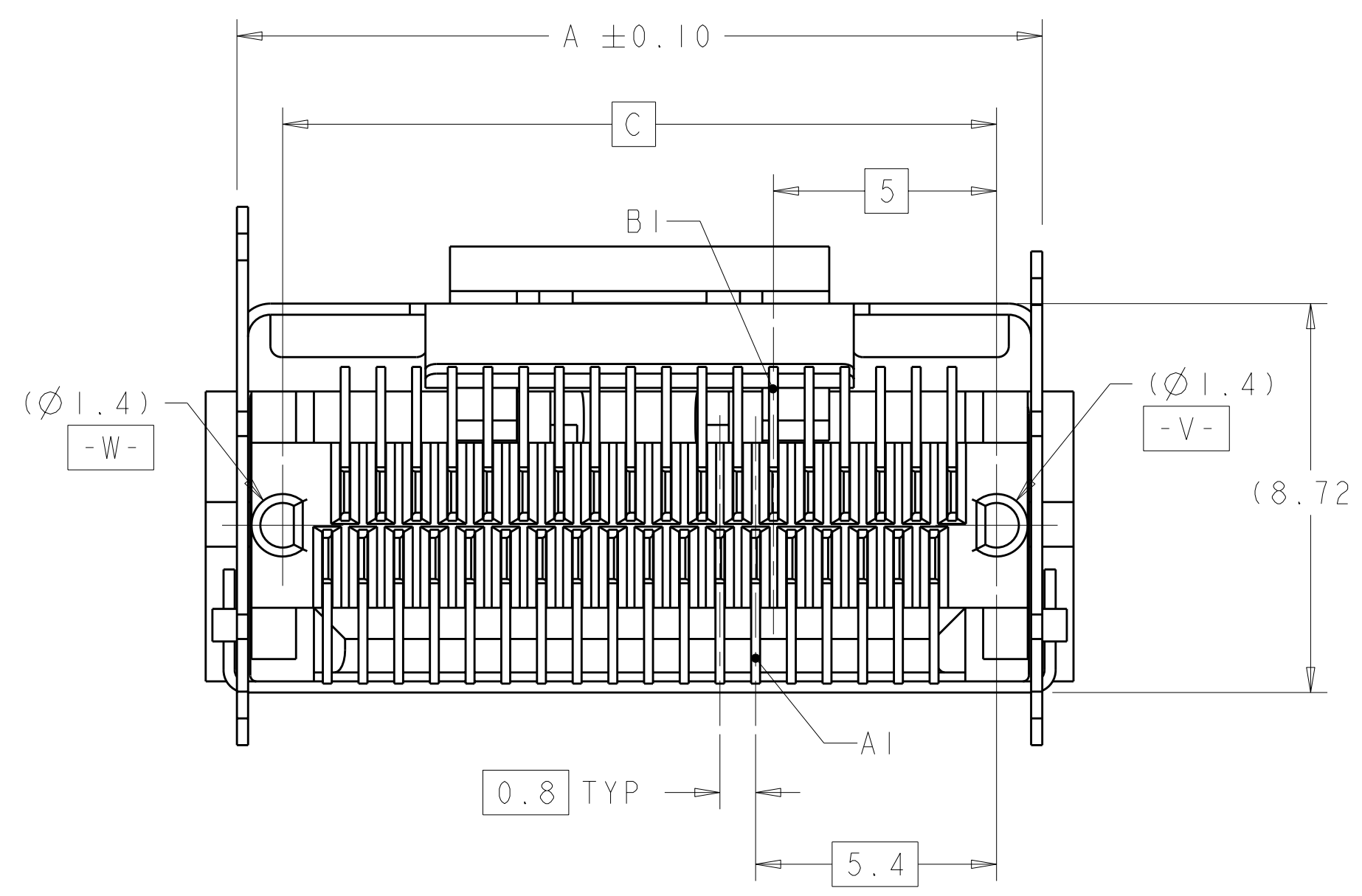
LOC	DIST	REV	DATE	BY	CHKD	APVD
GP	00	A	14MAY2008	ZMR	DLG	



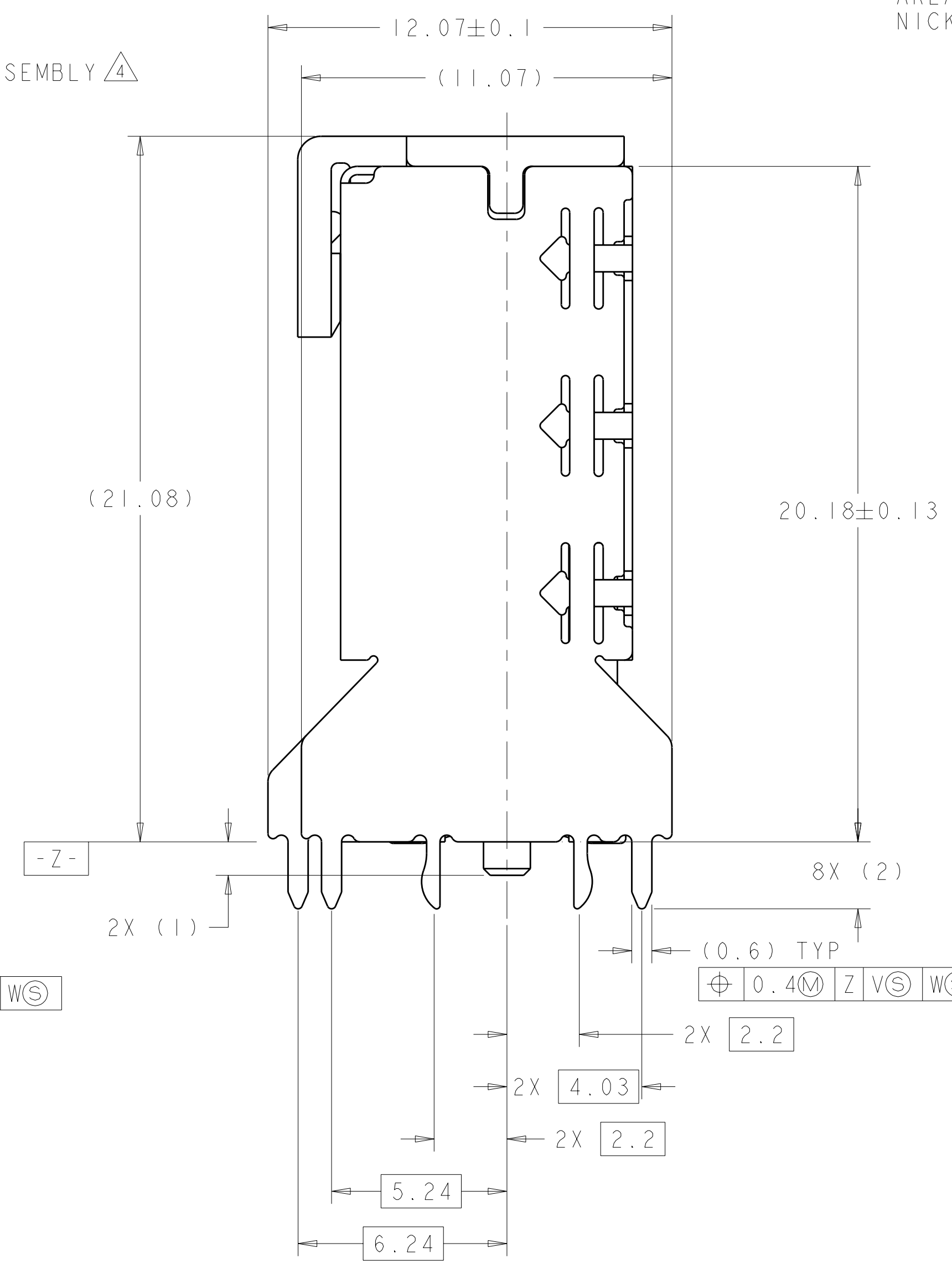
KEYING  
 PICK AND PLACE DEVICE  
 VERTICAL SHIELD ASSEMBLY



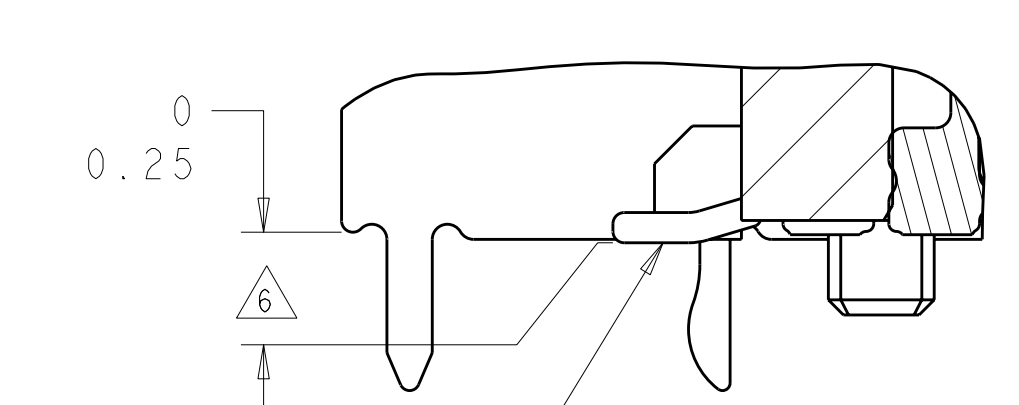
RECEPTACLE ASSEMBLY  
 ALL CONTACT SOLDER TAIL SURFACES  
 (0.1) ALL CONTACT SOLDER TAIL SURFACES  
 (0.2) B PLC  
 (0.25) TYP  
 (0.4) Z V S W S  
 (0.9) TYP



(0.8) TYP  
 A1  
 (1.4) -W-  
 (1.4) -V-  
 (8.72)

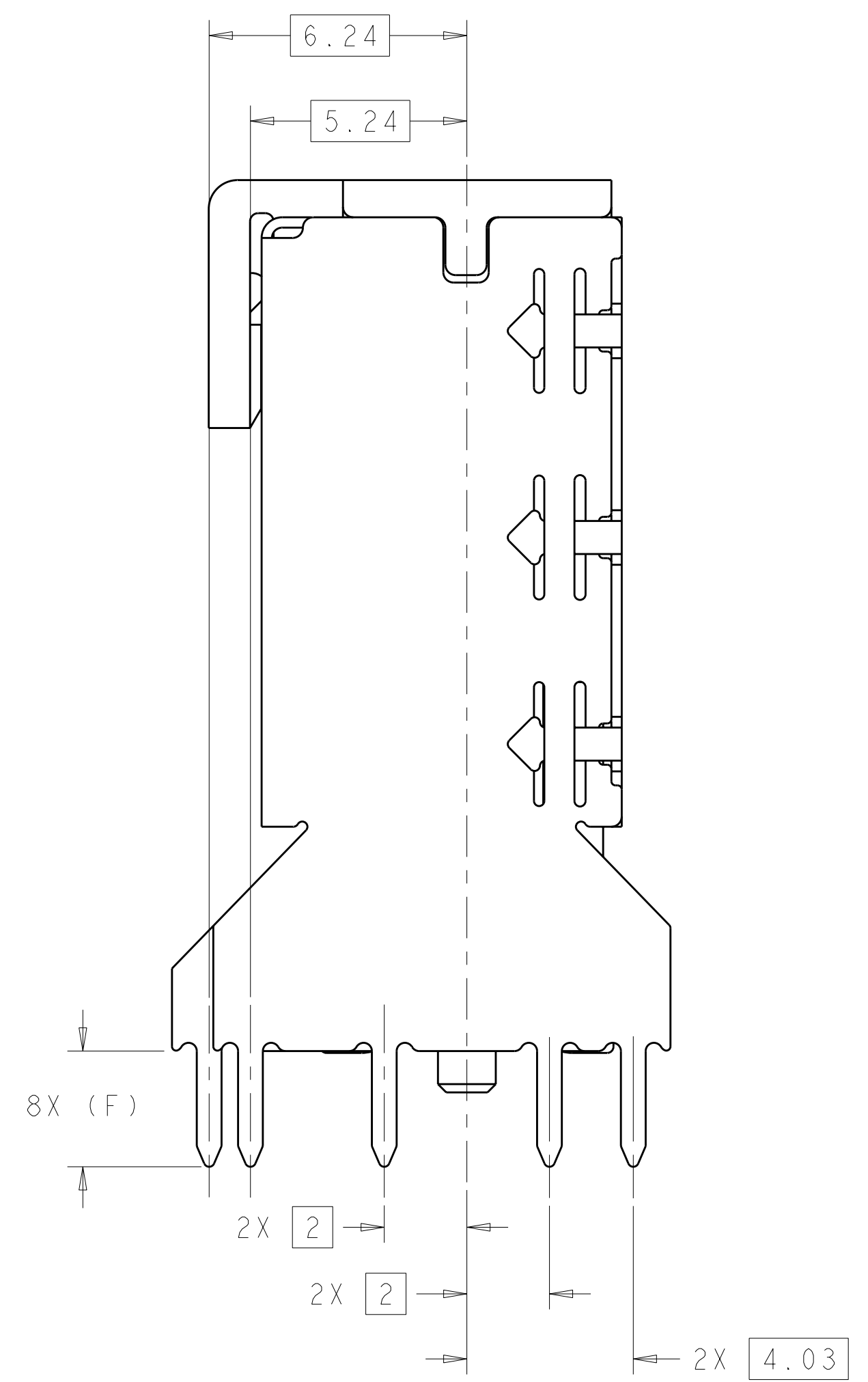


12.07±0.1  
 (11.07)  
 (21.08)  
 20.18±0.13  
 8X (2)  
 2X (1)  
 (0.6) TYP  
 (0.4) Z V S W S  
 2X 2.2  
 2X 4.03  
 2X 2.2  
 5.24  
 6.24  
 1888174-2 AS SHOWN



VERTICAL CONTACT  
 SECTION T-T  
 SCALE 10:1

- 1 MATERIAL: LCP, BLACK.
- 2 MATERIAL: PHOSPHOR BRONZE PER ASTM B 103.
- 3 FINISH: 0.76µm MIN GOLD PLATE PER ASTM B 488, APPLIES TO INTERFACE AREA AND 2.03µm MIN TIN PLATE SOLDER TAILS, ALL OVER 3.81µm MIN NICKEL PLATE PER QQ-N-290.
- 4 MATERIAL: NICKEL-SILVER PER ASTM B 122.
- 5 DATUM AND BASIC DIMENSION ESTABLISHED BY CUSTOMER.
- 6 CONTACT TAILS TO BE 0.25 MAX BELOW OR FLUSH WITH DATUM Z.
- 7 REFER TO CUSTOMER DRAWING 1888020 FOR CONNECTOR DETAILS.
- 8 FINISH: 0.38µm MIN GOLD PLATE PER ASTM B 488, APPLIES TO INTERFACE AREA AND 2.03µm MIN TIN PLATE SOLDER TAILS, ALL OVER 3.81µm MIN NICKEL PLATE PER QQ-N-290.

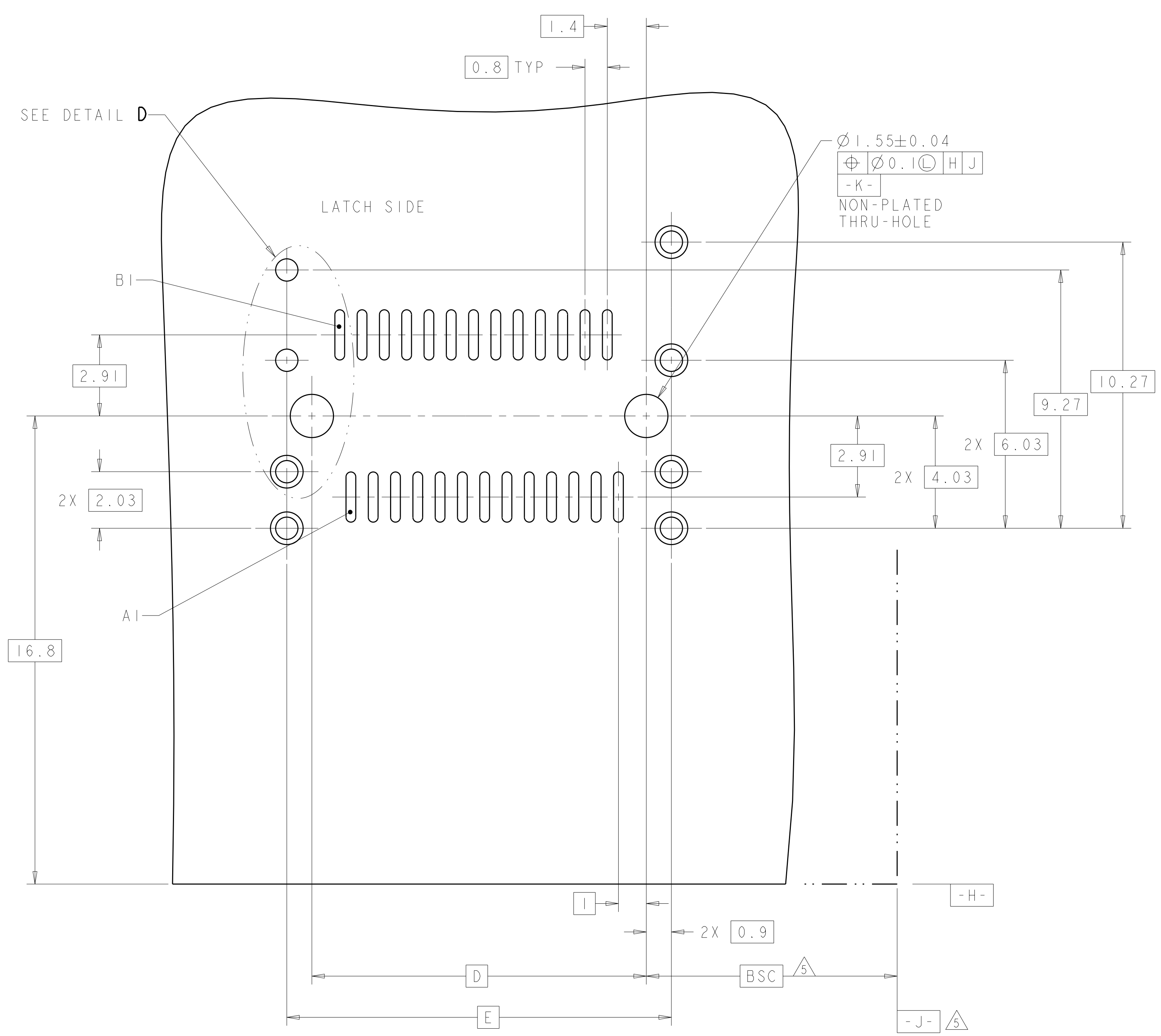


6.24  
 5.24  
 8X (F)  
 2X 2  
 2X 2  
 2X 4.03  
 1888174-4 AND 1888174-6 AS SHOWN

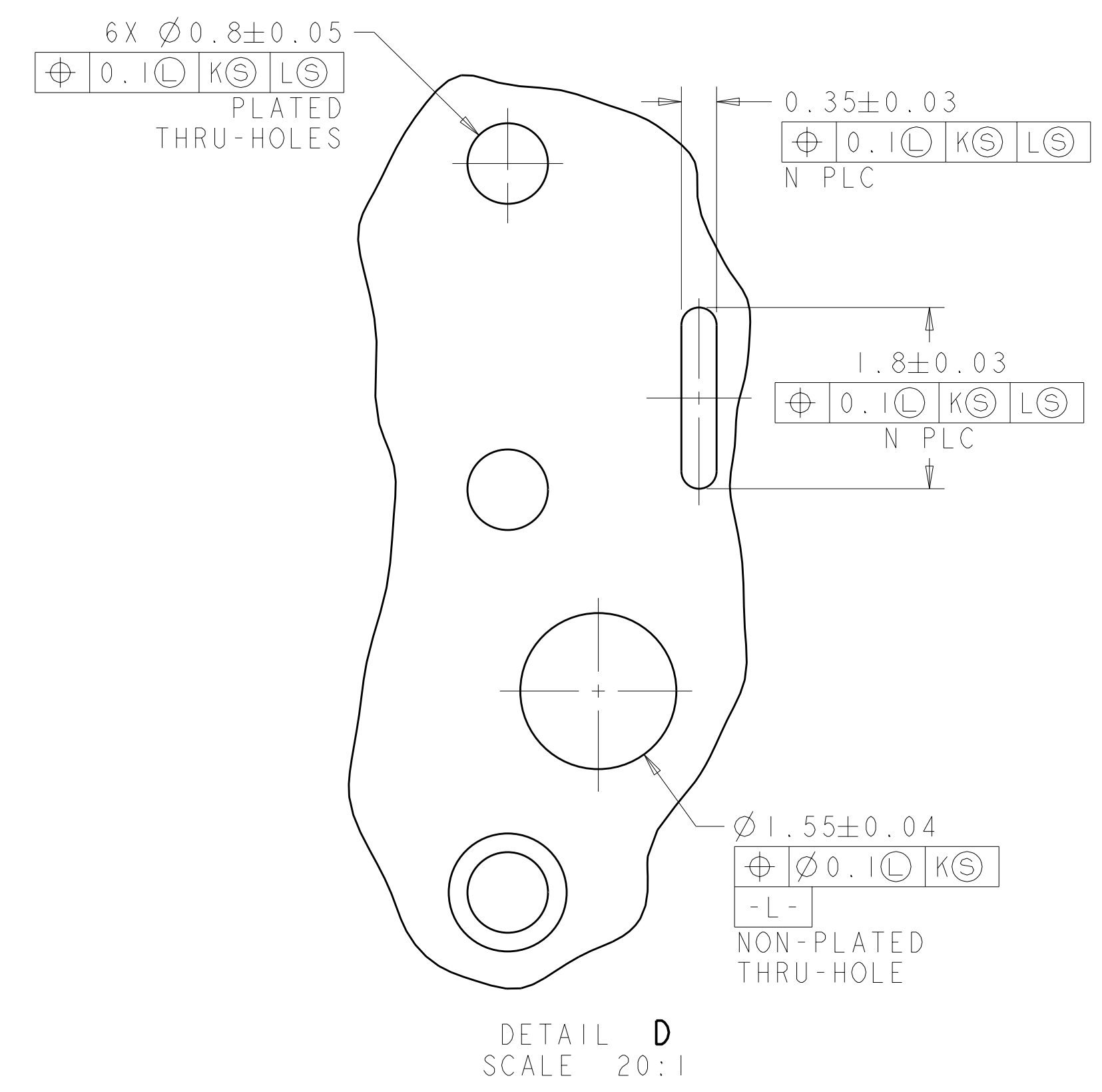
FINISH	SHIELD TYPE	N	F	E	D	C	B	A	POSN	PART NUMBER
8	THRU-HOLE	36	3.5	17.8	16	16	36	18.05	36	1888174-9
	THRU-HOLE	36	2.8	17.8	16	16	36	18.05	36	1888174-8
3	PRESS-FIT	36	-	17.8	16	16	36	18.05	36	1888174-7
	THRU-HOLE	36	3.5	17.8	16	16	36	18.05	36	1888174-6
3	THRU-HOLE	36	2.8	17.8	16	16	36	18.05	36	1888174-4
	PRESS-FIT	36	-	17.8	16	16	36	18.05	36	1888174-2

DIMENSIONS: mm 		TOLERANCES UNLESS OTHERWISE SPECIFIED: 9 PLC ± 8 PLC ± 5 PLC ± 4 PLC ± ANGLES ±		DWN M.E. SHIRK 200CT05 CHK R.R. HENRY 200CT05 APVD R.R. HENRY 200CT05		Tyco Electronics Harrisburg, PA 17105-3608	
MATERIAL: 1 2 4 FINISH: SEE TABLE		WEIGHT: - CUSTOMER DRAWING		NAME: EVERCLEAR Mini-SAS VERTICAL INTERNAL RECEPTACLE ASSY WITH DUAL KEYED SHELL PRODUCT SPEC: 108-2234 APPLICATION SPEC: - SIZE: A1100779 CAGE CODE: C=1888174		RESTRICTED TO: - SCALE: 8:1 SHEET 1 OF 2 REV A	

LOC	DIST	REVISIONS					
GP	00	P	LTN	DESCRIPTION	DATE	DWN	APVD
		-	-	SEE SHEET 1			



RECOMMENDED PCB LAYOUT  
 SCALE 10:1



DETAIL D  
 SCALE 20:1

<small>THIS DRAWING IS UNPUBLISHED. RELEASED FOR PUBLICATION BY TYCO ELECTRONICS CORPORATION. ALL RIGHTS RESERVED.</small>		DWN: M. E. SHIRK 200CT05 CHK: R. R. HENRY 200CT05 APVD: R. R. HENRY 200CT05	Tyco Electronics Harrisburg, PA 17105-3608
DIMENSIONS: mm 	TOLERANCES UNLESS OTHERWISE SPECIFIED: 0 PLC ± 1 PLC ± 2 PLC ± 3 PLC ± 4 PLC ± ANGLES ± FINISH ±	NAME: EVERCLEAR Mini-SAS VERTICAL INTERNAL RECEPTACLE ASSY WITH DUAL KEYED SHELL PRODUCT SPEC: 108-2234 APPLICATION SPEC:	SIZE: A CAGE CODE: 100779 DRAWING NO: C=1888174 RESTRICTED TO:
MATERIAL: -	FINISH: -	WEIGHT: -	SCALE: 8:1 SHEET 2 OF 2 REV A
CUSTOMER DRAWING			