

1888250-2 Product Details

[Share](#) [Print](#) [Email](#)



1888250-2

TE Internal Number: 1888250-2

Active

[View 3D PDF](#)

PCB Mounted Jacks - Single Port, Multi-port and Stacked

Always EU RoHS/ELV Compliant (Statement of Compliance)

Product Highlights:

- Connector
- Preloaded
- Single Port Configuration
- 1 x 1 Jack Configuration
- Jack Type = RJ45

[View all Features](#)

Quick Links

- ▶ [Pricing & Availability](#)
- ▶ [Search for Tooling](#)
- ▶ [Product Feature Selector](#)
- ▶ [Contact Us About This Product](#)

[Add to My Part List](#) [Request Sample](#) [Find Similar Products](#) [Buy Product](#)

Documentation & Additional Information

Product Drawings:

- [CONNECTOR ASSEMBLY, LOW PROFILE, PRESS FIT, MODULAR ...](#) (PDF, English)

Catalog Pages/Data Sheets:

- [1-1773464-9_MODULAR JACKS_SINGLE_PORT_PCB_MOUNT](#) (PDF, English)
- [Solutions for AdvancedTCA, AdvancedTCA 300, MicroTCA...](#) (PDF, English)

Product Specifications:

- None Available

Application Specifications:

- [Category 5, Shielded, Offset, Press Fit, Modular Jac...](#) (PDF, English)

Instruction Sheets:

- None Available

CAD Files: [\(CAD Format & Compression Information\)](#)

- [2D Drawing](#) (DXF, Version B)
- [3D Model](#) (IGES, Version B)
- [3D Model](#) (STEP, Version B)

[List all Documents](#)

Additional Information:

- [Product Line Information](#)

Related Products:

- [Tooling](#)

Product Features (Please use the Product Drawing for all design activity)

Product Type Features:

- Product Type = Connector
- Jack Type = RJ45
- PCB Mounting Orientation = Side Entry (Right Angle)
- PCB Mount Style = Through Hole
- Performance Category = Cat 5
- LED = With
- Grounding Options = Panel Ground and PCB Ground
- Panel Stops = Without
- Keyed = No
- Profile = Very Low; Offset - Over Hangs PCB
- Color = Black

Mechanical Attachment:

- Panel Mount Retention = Without

Termination Features:

- Termination Method to PC Board = Through Hole - Press Fit

Dimensions:

- Height (mm [in]) = 4.20 [0.165]
- PCB Tail Length (mm [in]) = 2.29 [0.091]

Body Features:

- Inverted Jack Face = No
- Shield Plating = Nickel
- Shield Material = Copper Alloy

Contact Features:

- Solder Tail Contact Plating = Tin over Nickel
- Contact Plating, Mating Area, Material = Gold (50)
- Contact Base Material = Phosphor Bronze

Configuration Features:

- Preloaded = Yes
- Port Configuration = Single
- Jack Configuration = 1 x 1
- Number of Positions = 8
- Shielded = Yes
- Number of Contacts Loaded = 8
- Number of PCB Ground Tabs = 4

Industry Standards:

- RoHS/ELV Compliance = RoHS compliant, ELV compliant
- Lead Free Solder Processes = Not relevant for lead free process
- RoHS/ELV Compliance History = Always was RoHS compliant

Identification Marking:

- LED Position 1 Color = Green/Yellow
- LED Position 2 Color = Green/Yellow

Packaging Features:

- Packaging Method = Tray
- Packaging Quantity = 40

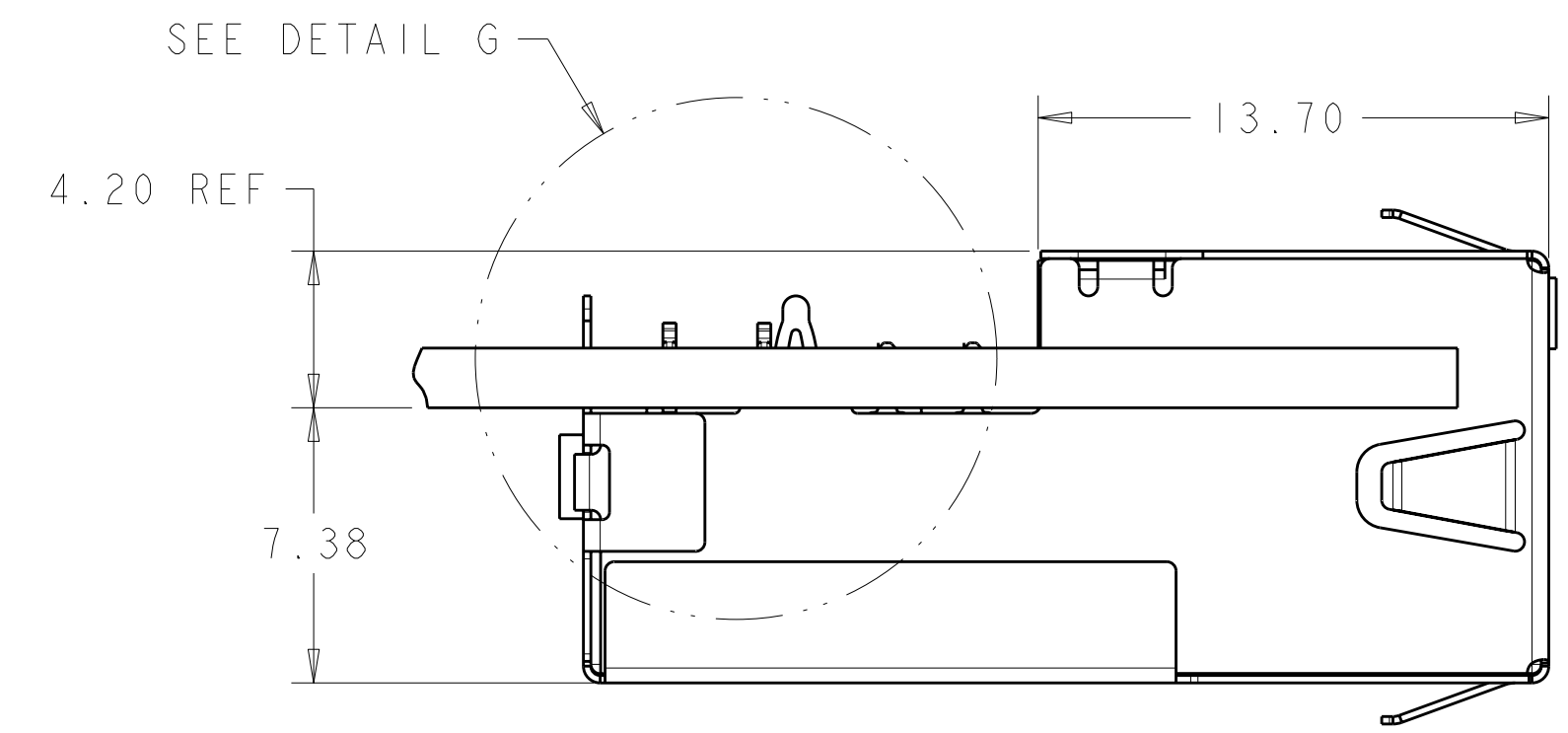
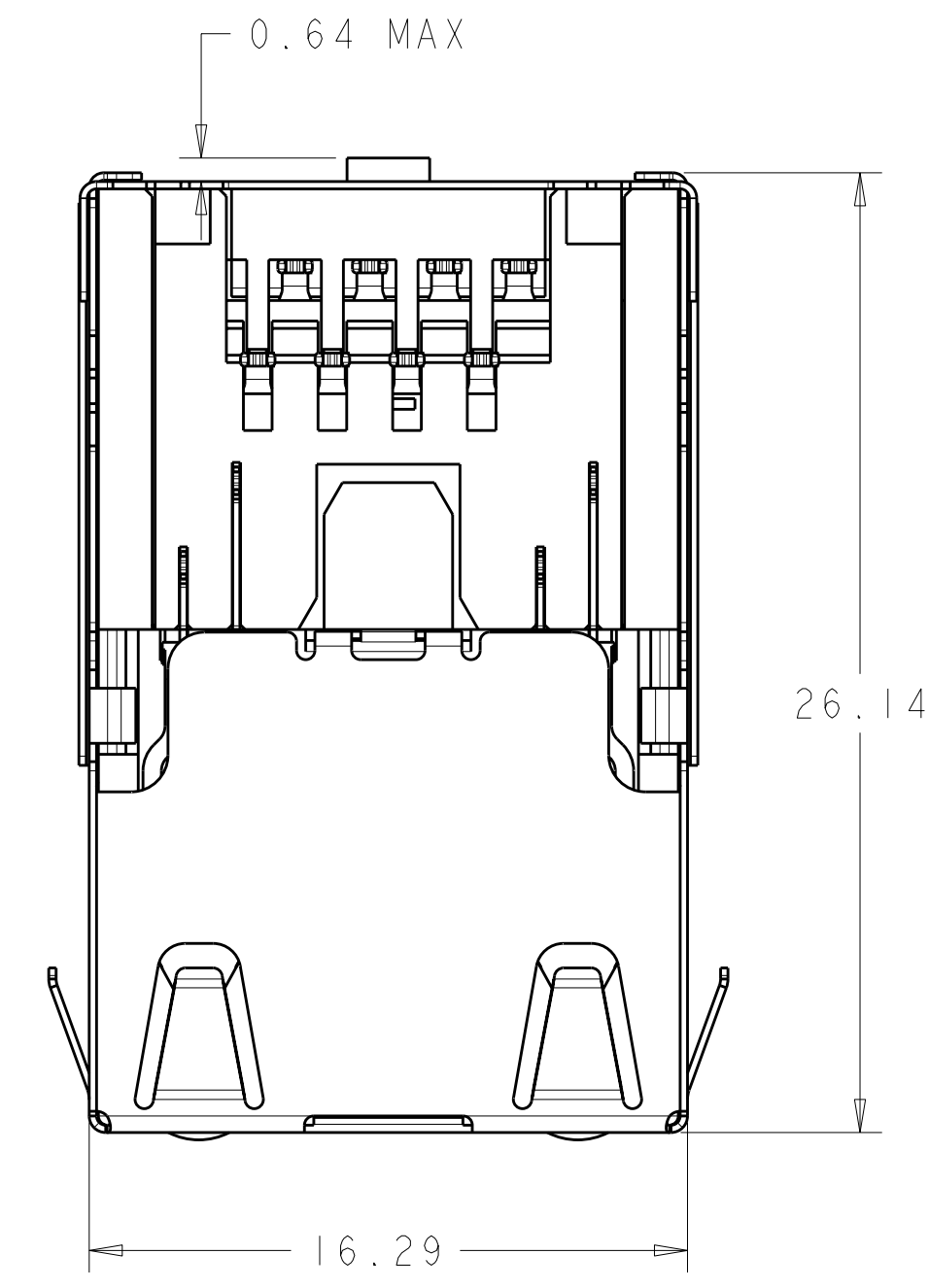
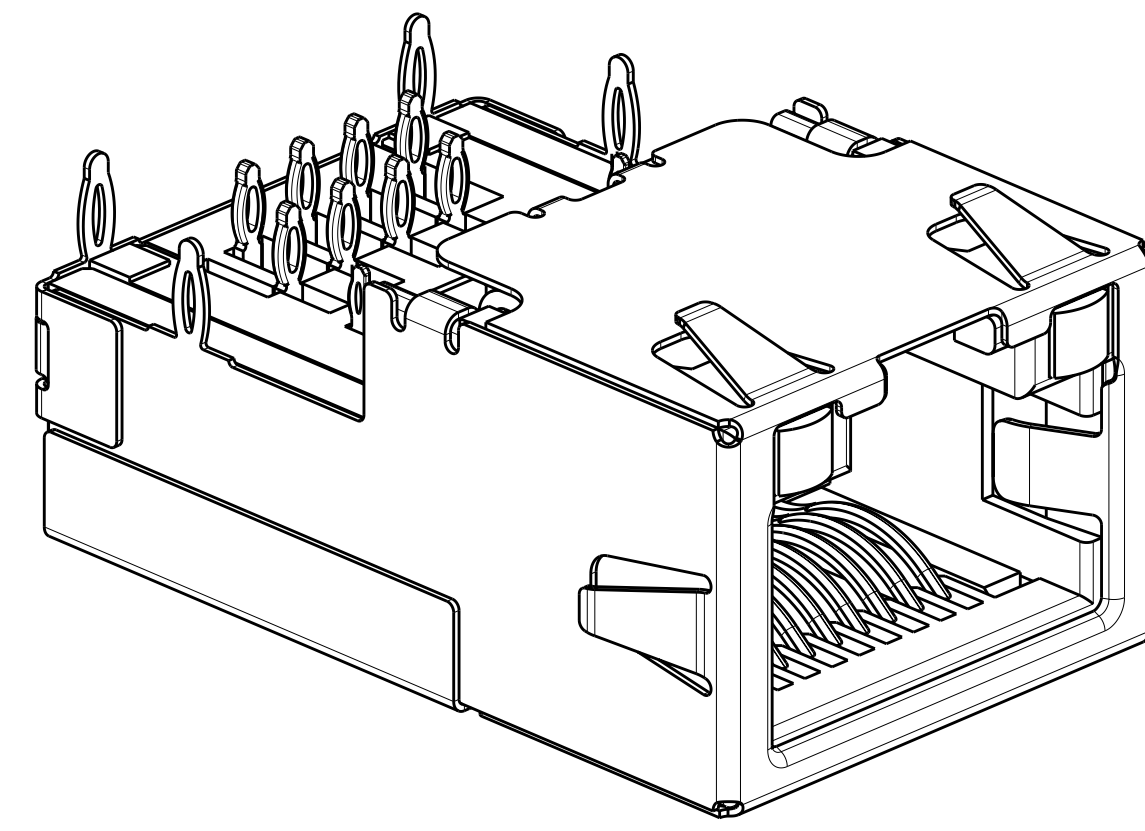
Product Availability:

- Region = Asia, North America

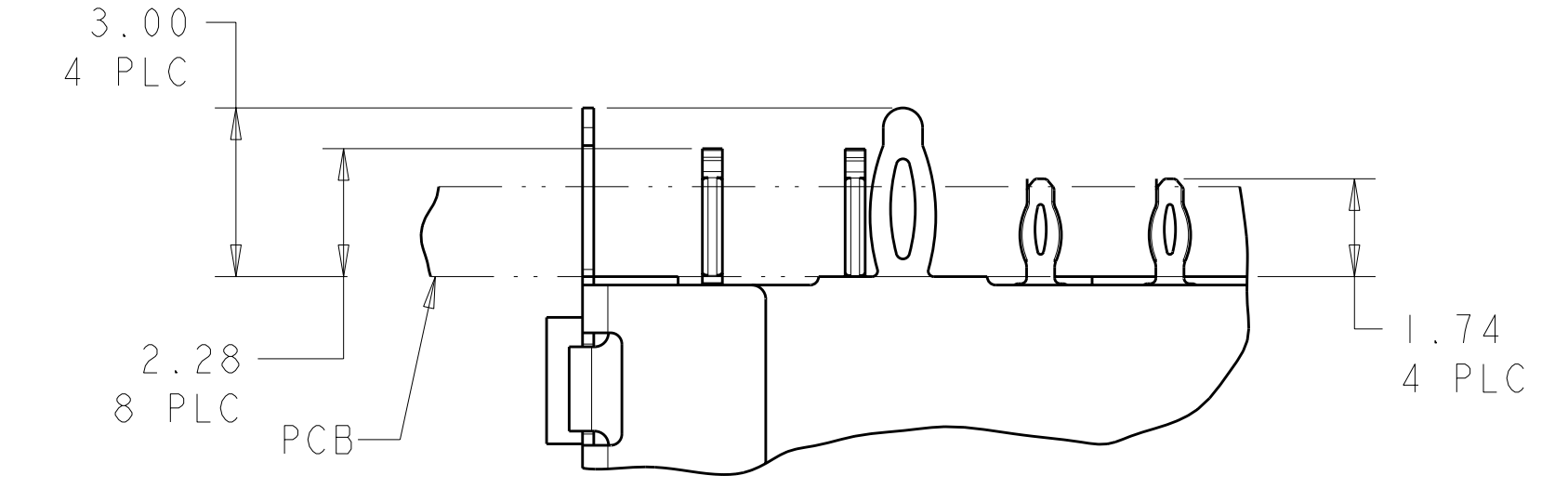
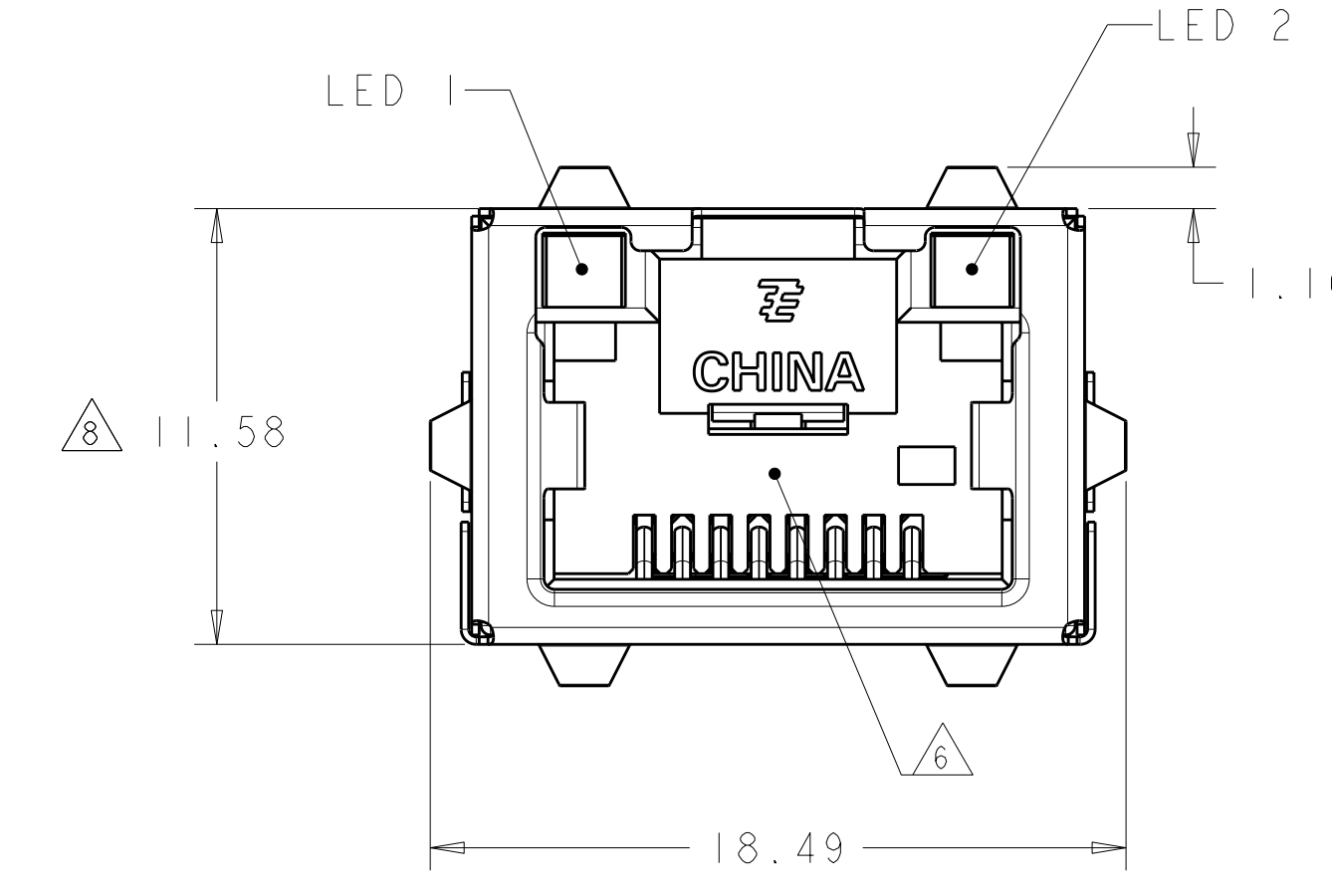
Other:

- Brand = TE Connectivity

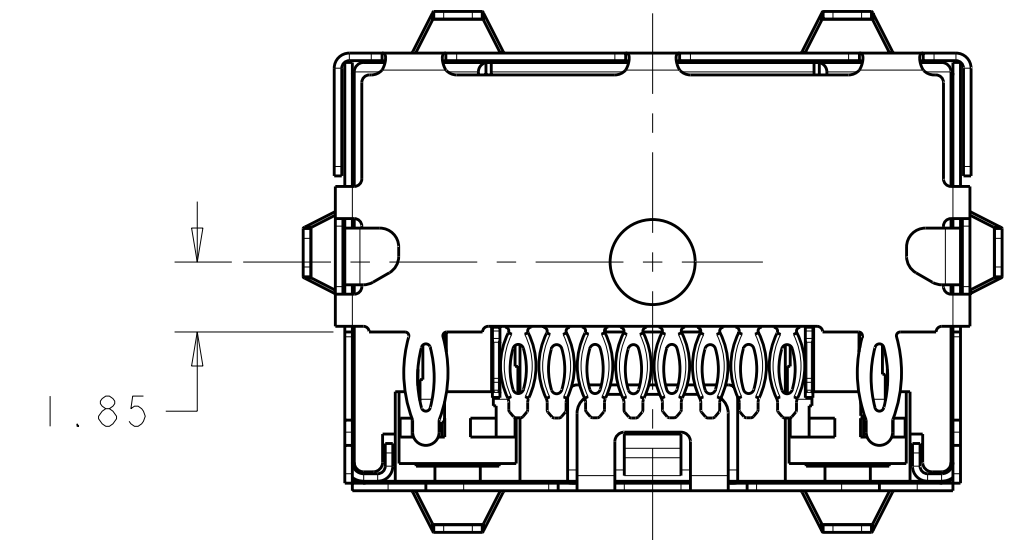
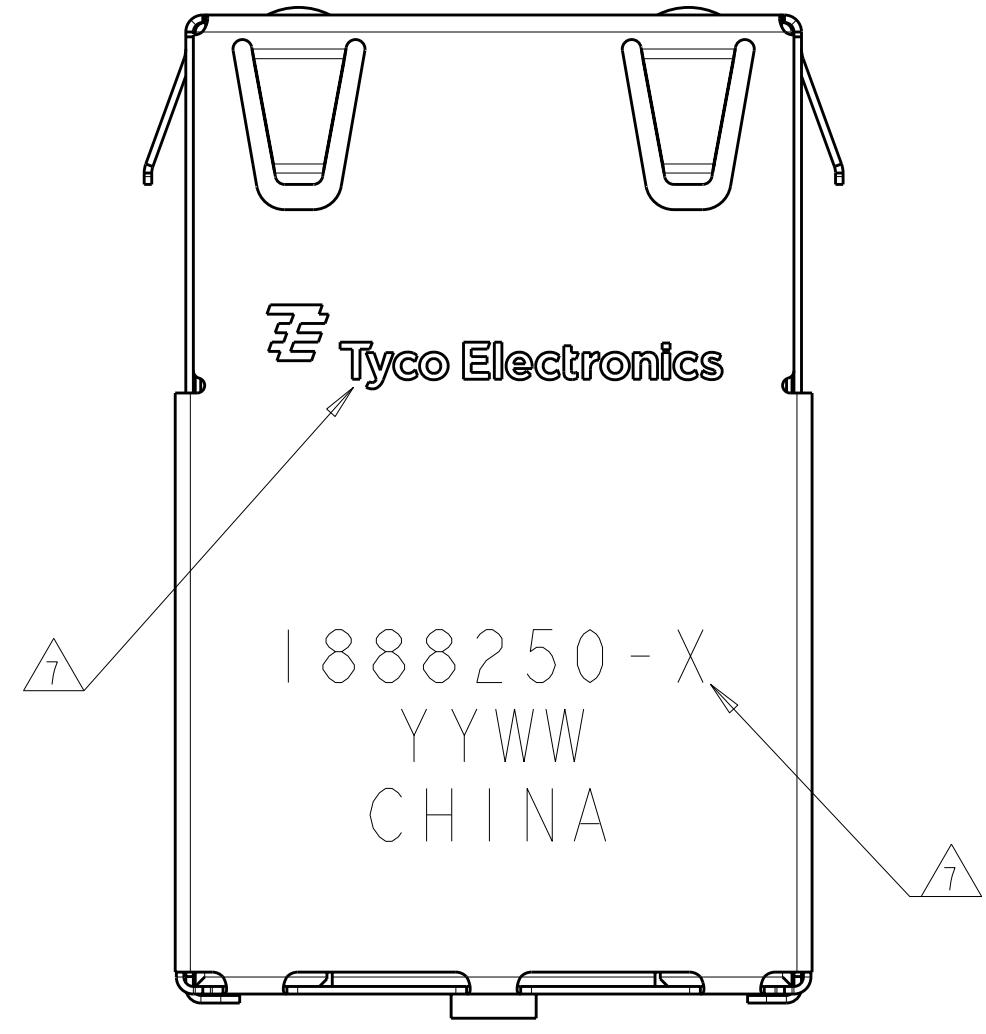
LOC	DIST	REVISIONS					
AA	00	P	LT#	DESCRIPTION	DATE	DWN	APVD
		B5		ECR-11-009822	11MAY2011	JJ	MOW
		C		ECR-12-002445	09FEB2012	JJ	AC



VIEW SHOWN ASSEMBLED TO PCB ONLY



DETAIL G SCALE 8:1



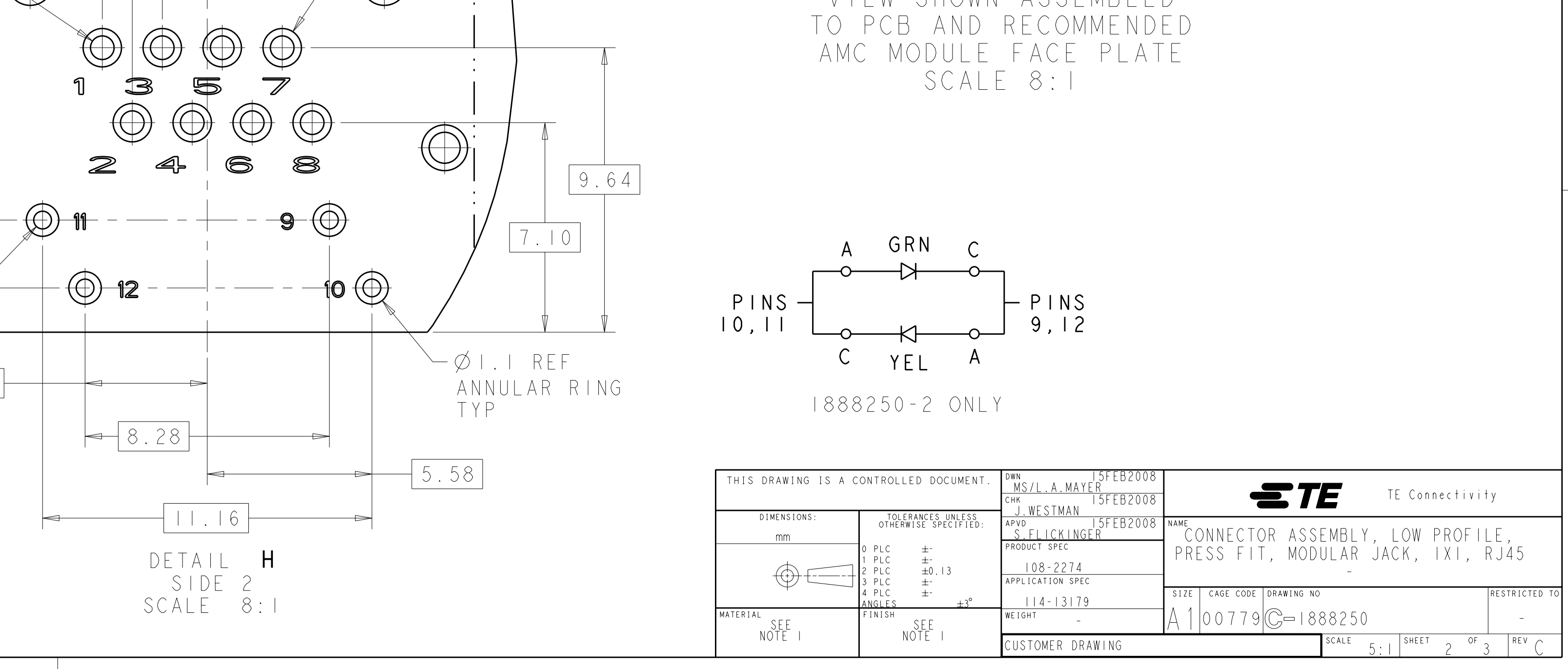
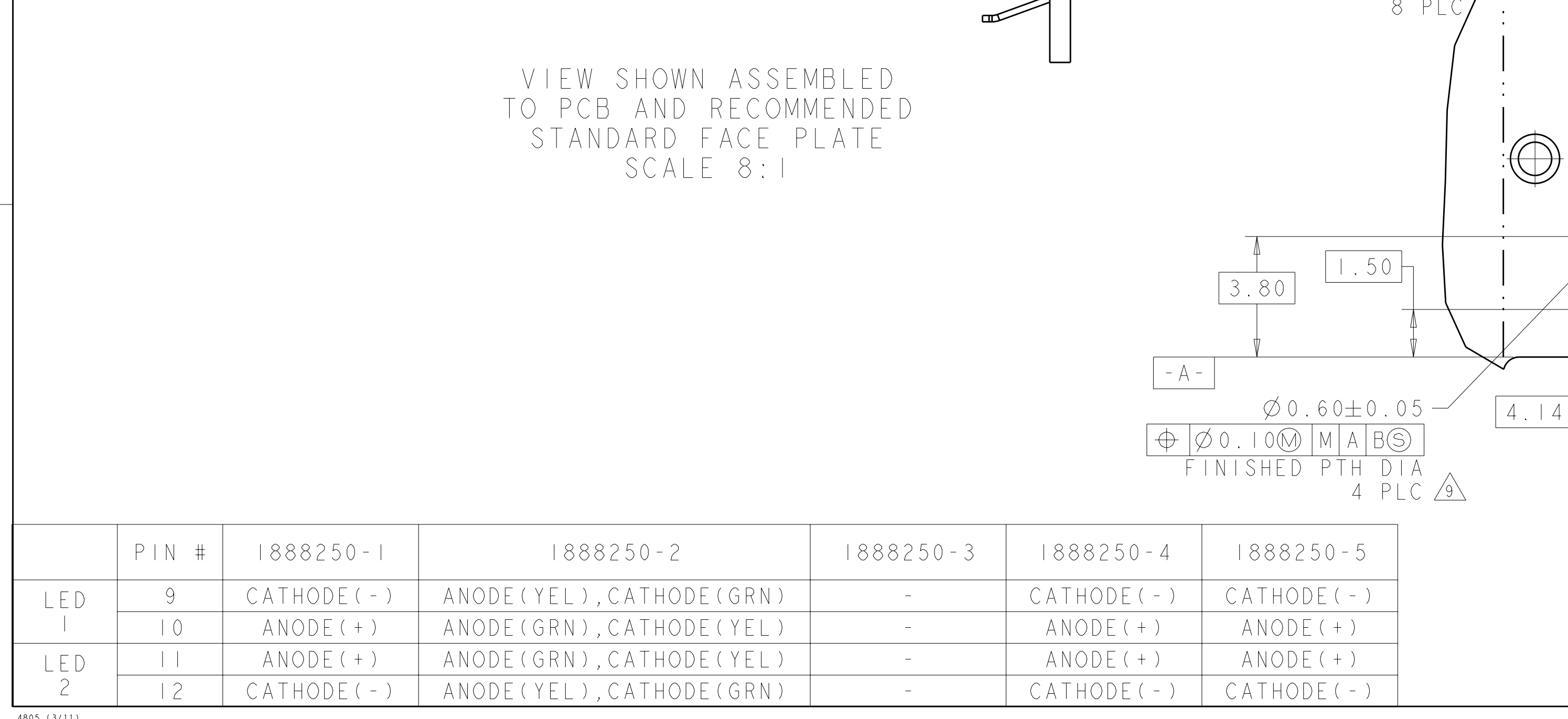
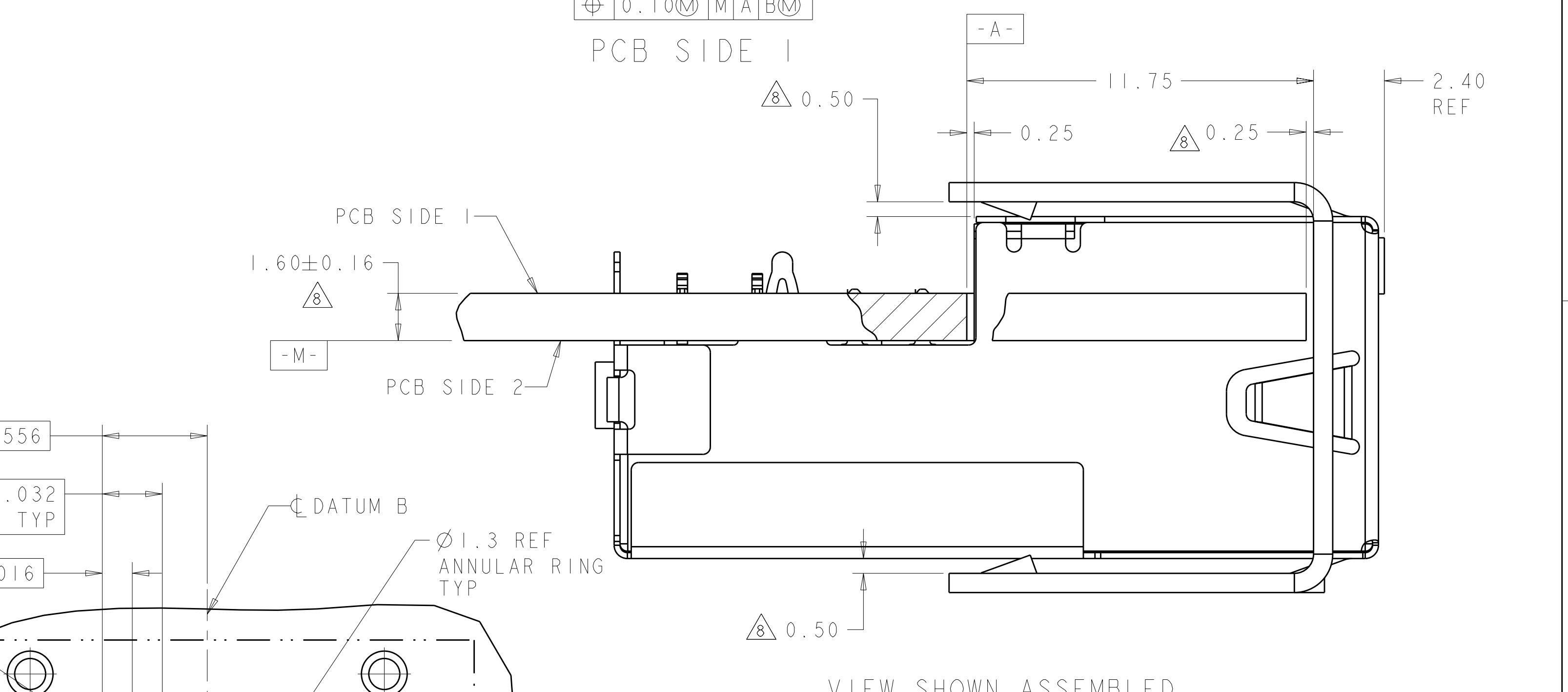
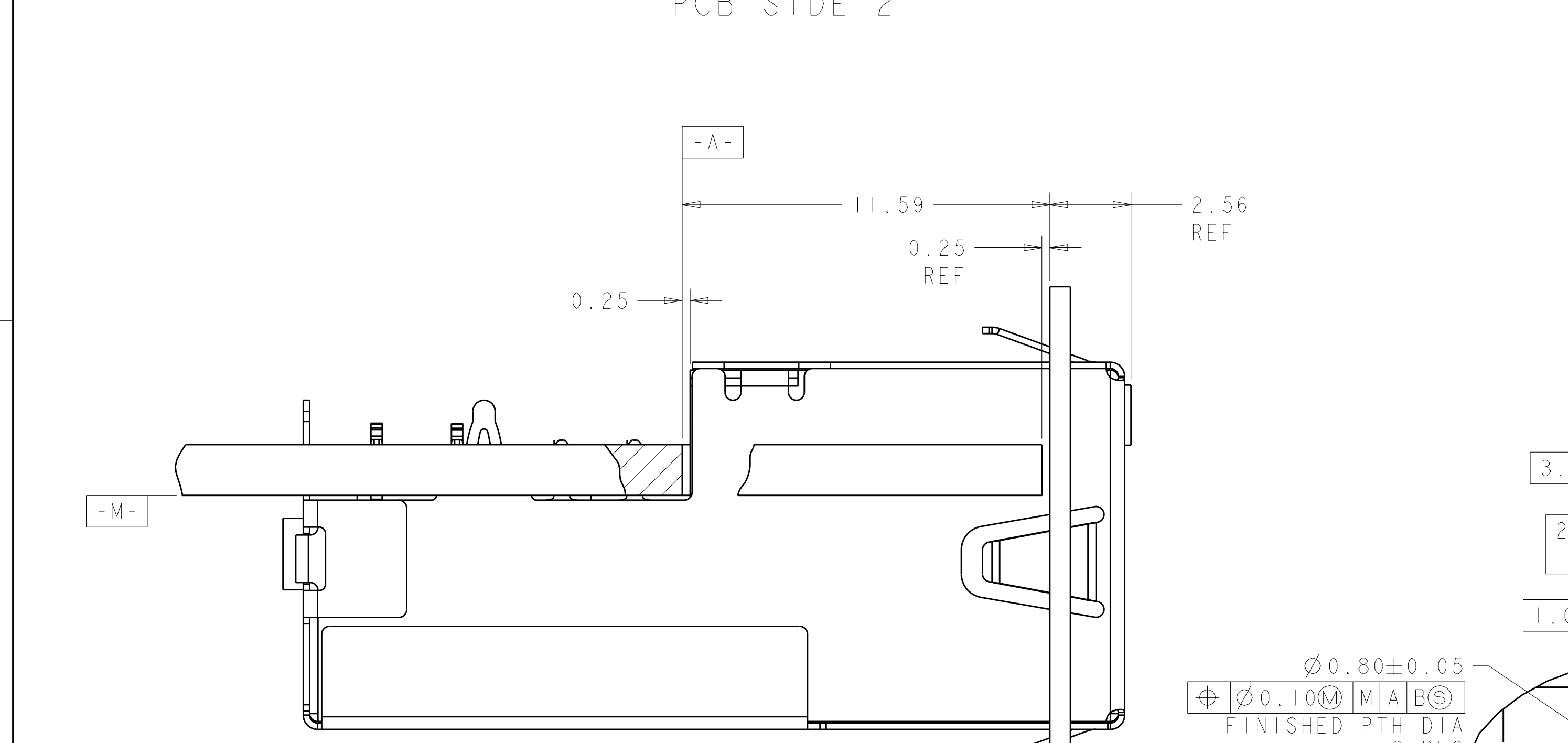
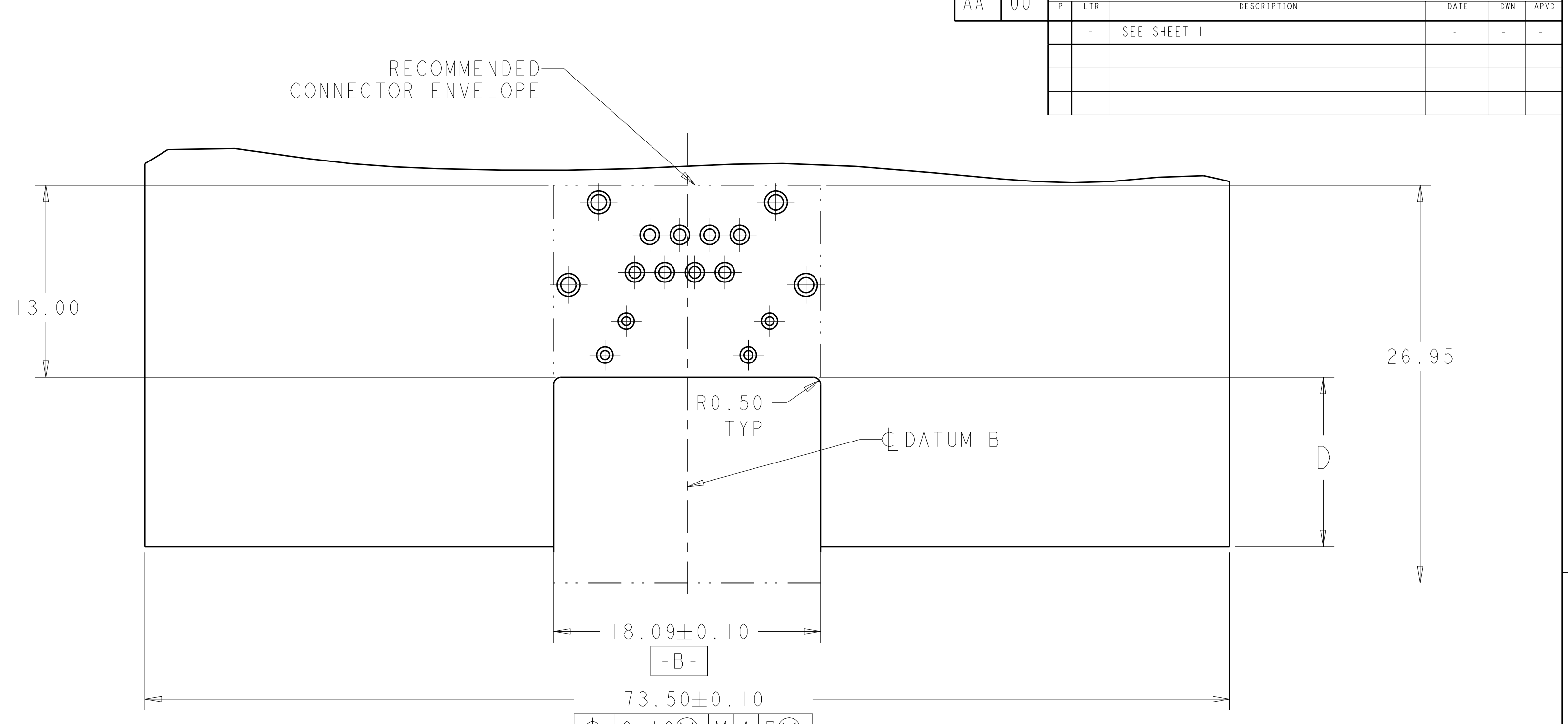
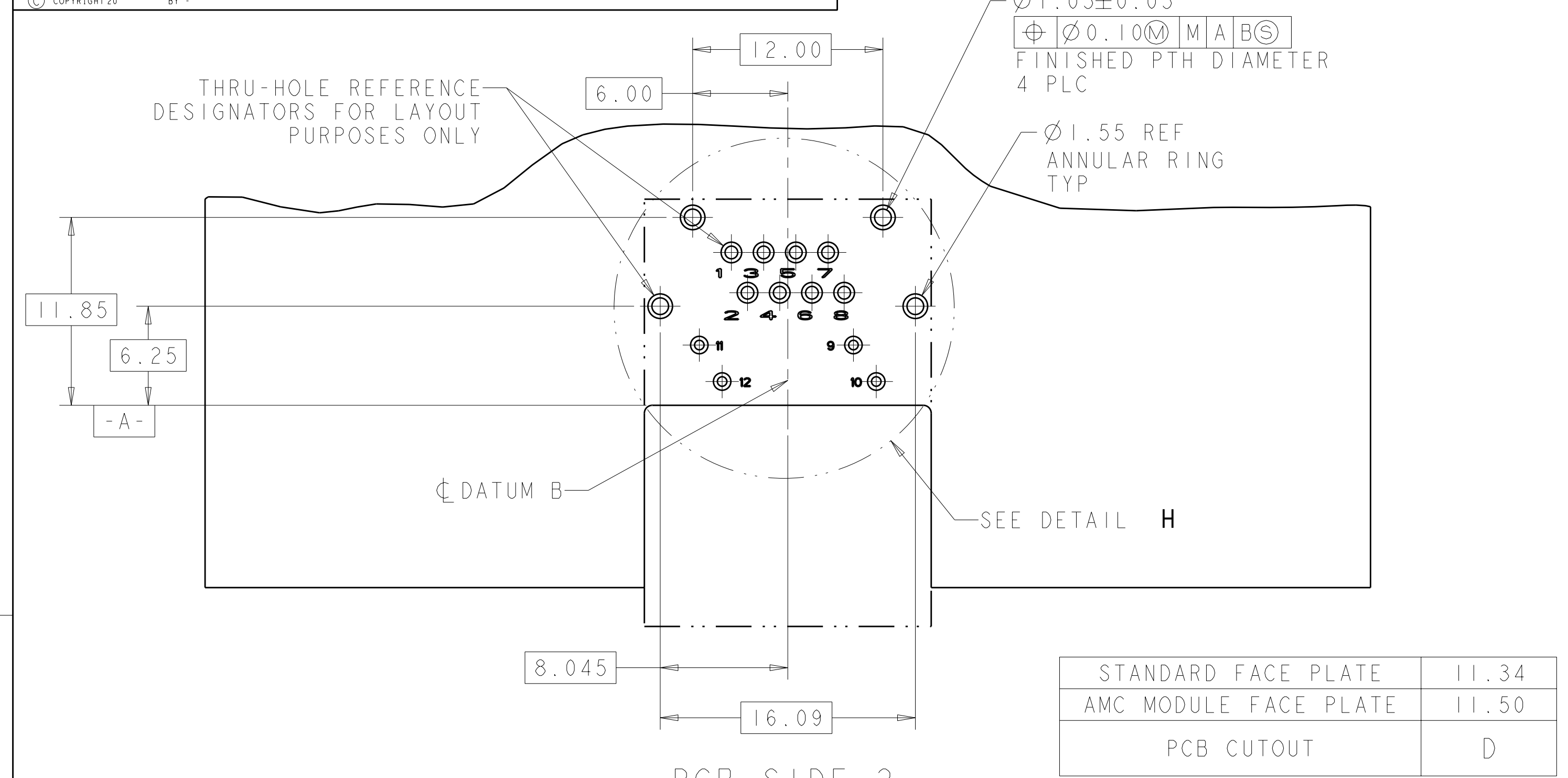
- MATERIALS:
 HOUSING: BLACK THERMOPLASTIC, 94V-0.
 SHIELD: COPPER ALLOY WITH 0.76µm MIN NICKEL PLATE
 CONTACTS: PHOSPHOR BRONZE WITH 1.27µm MIN GOLD
 AT MATING INTERFACE OVER 1.27µm MIN NICKEL UNDERPLATE.
- PERFORMANCE:
 INSERTION LOSS: 0.4dB @ 100 MHz.
 RETURN LOSS: 12.0dB @ 100 MHz.
 CROSSTALK ATTENUATION: -43dB MINIMUM @ 100 MHz
 CURRENT: 0.6 AMPERE MAXIMUM PER SINGAL CONTACT.
- LED'S COMPLIANT WITH IEC60825-1 SAFETY OF LASER PRODUCTS WHEN OPERATED AT CURRENT OF 20mA.
- ALL DIMENSIONS NOMINAL.
- RECOMMENDED MOTHERBOARD PCB THICKNESS: 1.60±0.16.
- \triangle RJ45 PORT CONFORMS TO FCC RULES AND REGULATIONS PART 68 SUB-PART F.
- \triangle TE LOGO, PART NUMBER, DATE CODE AND COUNTRY OF ORIGIN TO BE MARKED IN APPROXIMATE LOCATION SHOWN.
- \triangle THIS DIMENSION MEETS THE ADVANCED MEZZANINE CARD (AMC) SPECIFICATION.
- \triangle PIN 9,10,11,12 ARE LED LEAD PINS, For 1888250-3, NO LED INTEGRATED, HOLES ON PCB FOR THESE PINS ARE ONLY OPTIONAL.

YELLOW	GREEN	1888250-5
GREEN	GREEN	1888250-4
-	-	1888250-3
GRN/YEL	GRN/YEL	1888250-2
GREEN	YELLOW	1888250-1
LED #1	LED #2	PART NUMBER

THIS DRAWING IS A CONTROLLED DOCUMENT.

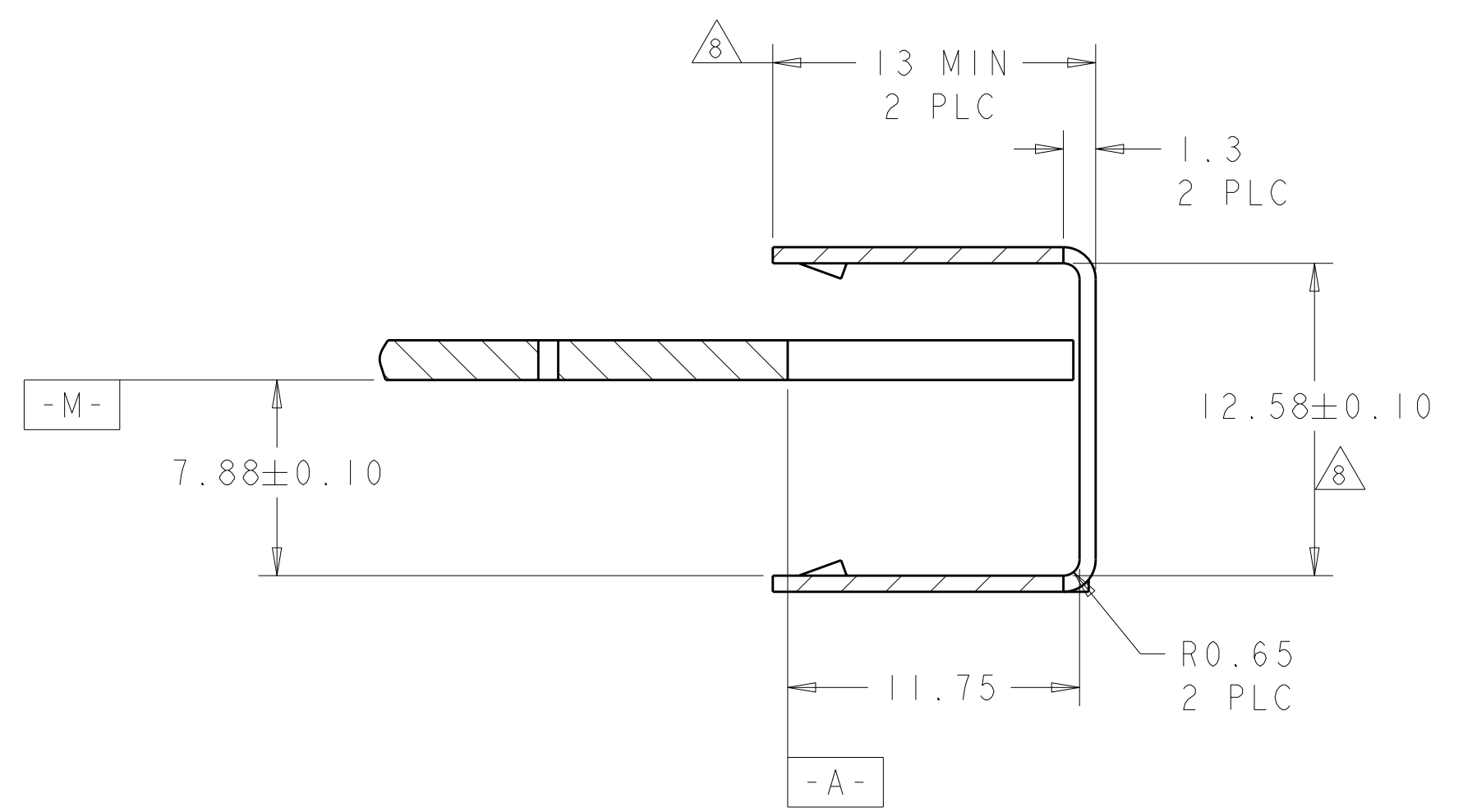
DIMENSIONS:	TOLERANCES UNLESS OTHERWISE SPECIFIED:	DWN: MS/L.A.MAYER 15FEB2008	APVD: S. FLICKINGER 15FEB2008
mm	9 PLC ±	CHK: J.WESTMAN 15FEB2008	NAME: CONNECTOR ASSEMBLY, LOW PROFILE, PRESS FIT, MODULAR JACK, 1X1, RJ45
	1 PLC ±0.13	PRODUCT SPEC: 108-2274	SIZE: CAGE CODE DRAWING NO: A1100779
	5 PLC ±	APPLICATION SPEC: 114-13179	RESTRICTED TO: -
	4 PLC ±	WEIGHT: -	SCALE: 1:1
	ANGLES ±°	CUSTOMER DRAWING	SHEET 1 OF 3
MATERIAL: SEE NOTE 1	FINISH: SEE NOTE 1		REV C

LOC	DIST	REV	DATE	BY	APPD
AA	00				

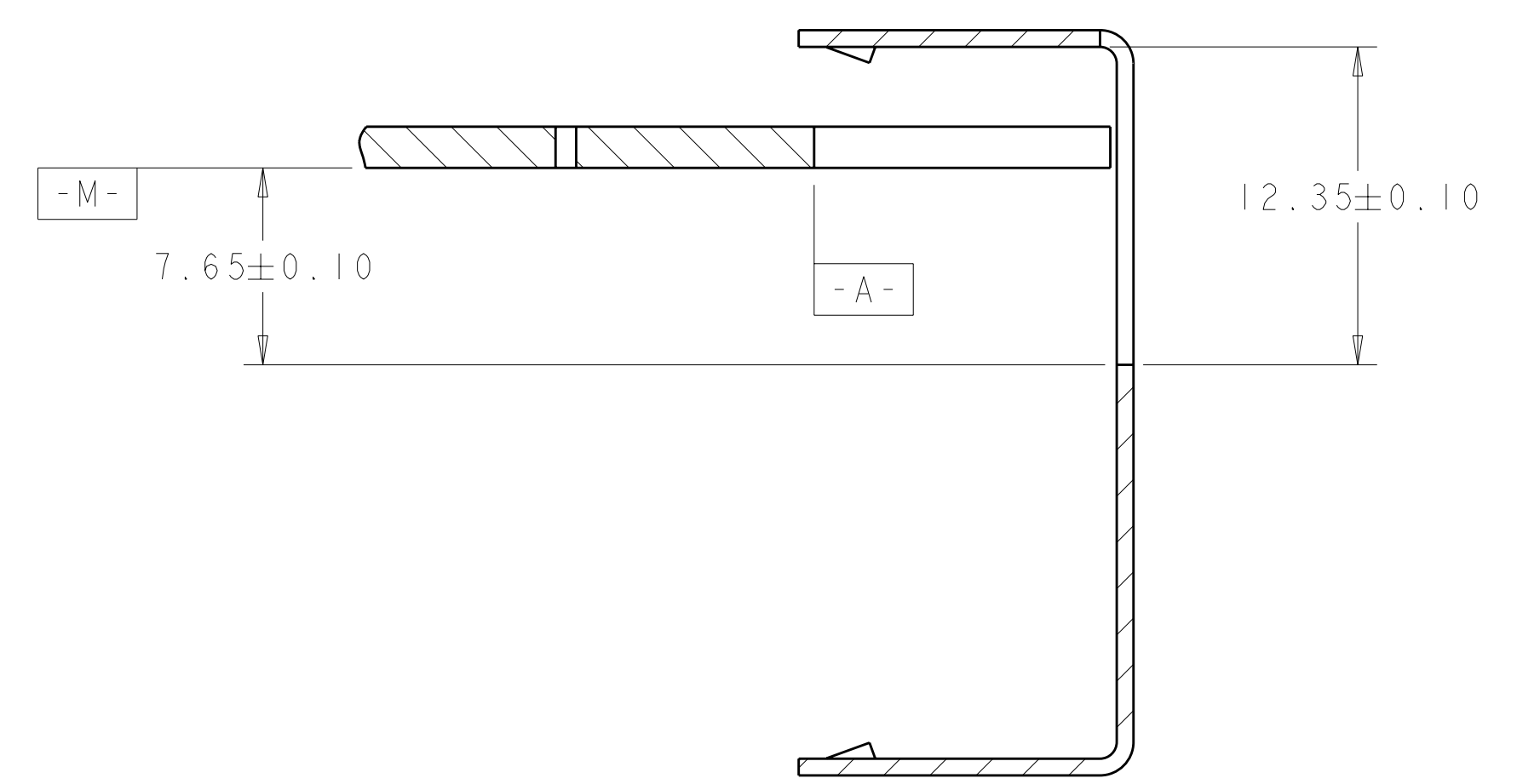


THIS DRAWING IS A CONTROLLED DOCUMENT.		OWN: MS/L.A.MAYER 15FEB2008	TE Connectivity
DIMENSIONS: mm		CHK: J.WESTMAN 15FEB2008	
TOLERANCES UNLESS OTHERWISE SPECIFIED:		APVD: S.FLICKINGER 15FEB2008	NAME: CONNECTOR ASSEMBLY, LOW PROFILE, PRESS FIT, MODULAR JACK, 1X1, RJ45
9 PLC ±		PRODUCT SPEC: 108-2274	SIZE: CAGE CODE DRAWING NO: A100779 C=1888250
5 PLC ±0.13		APPLICATION SPEC: 114-13179	RESTRICTED TO: -
4 PLC ±		WEIGHT: -	SCALE: 5:1 SHEET: 2 OF 3 REV: C
ANGLES ±°		CUSTOMER DRAWING	

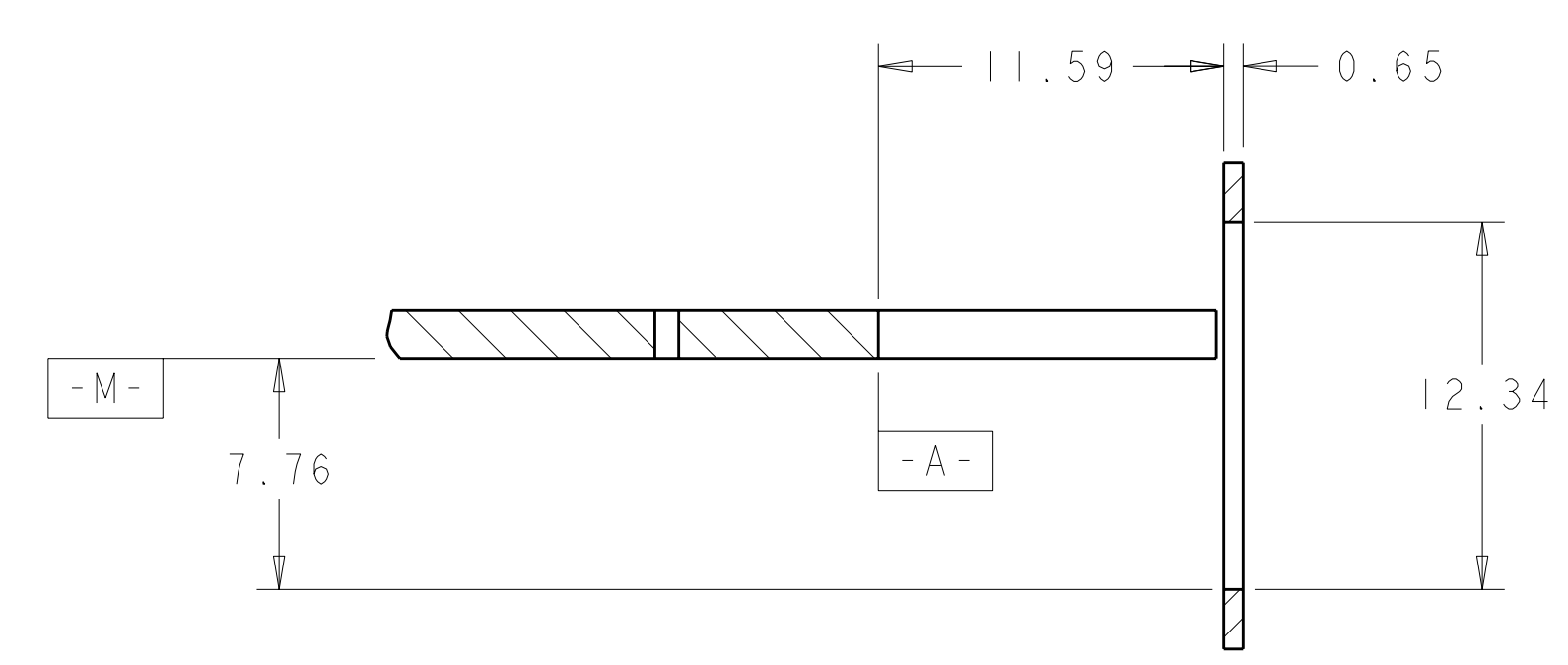
LOC	DIST	REV	DATE	BY	APPD
AA	00				
REVISIONS					



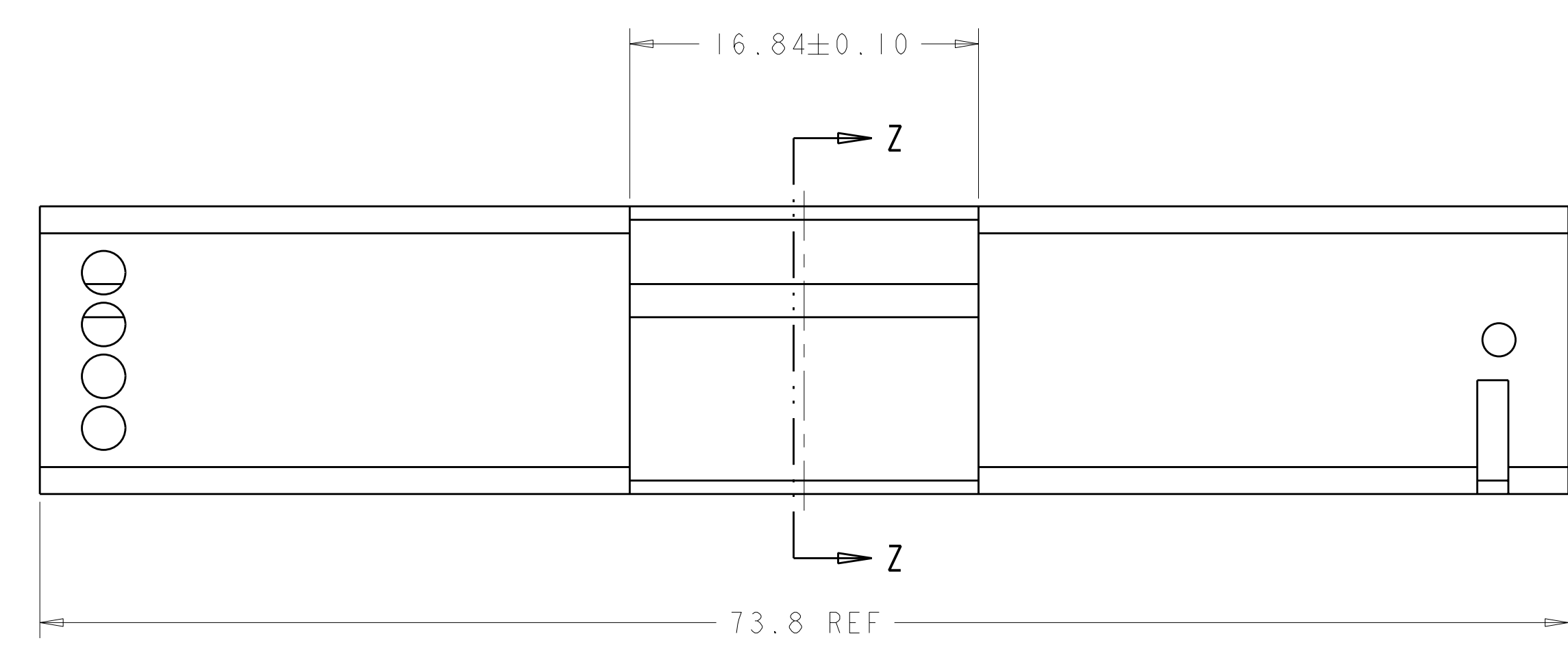
SECTION Z-Z



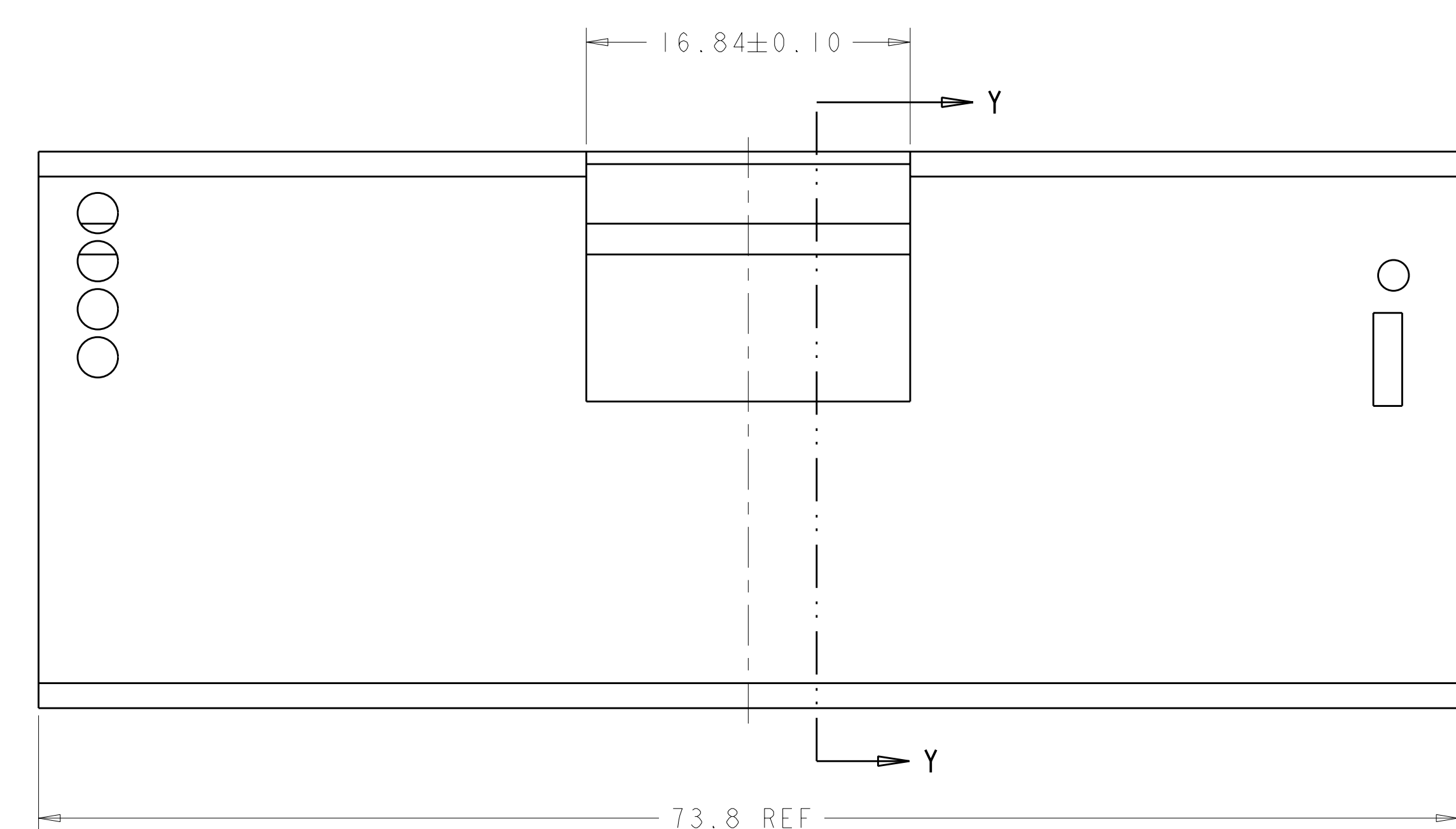
SECTION Y-Y



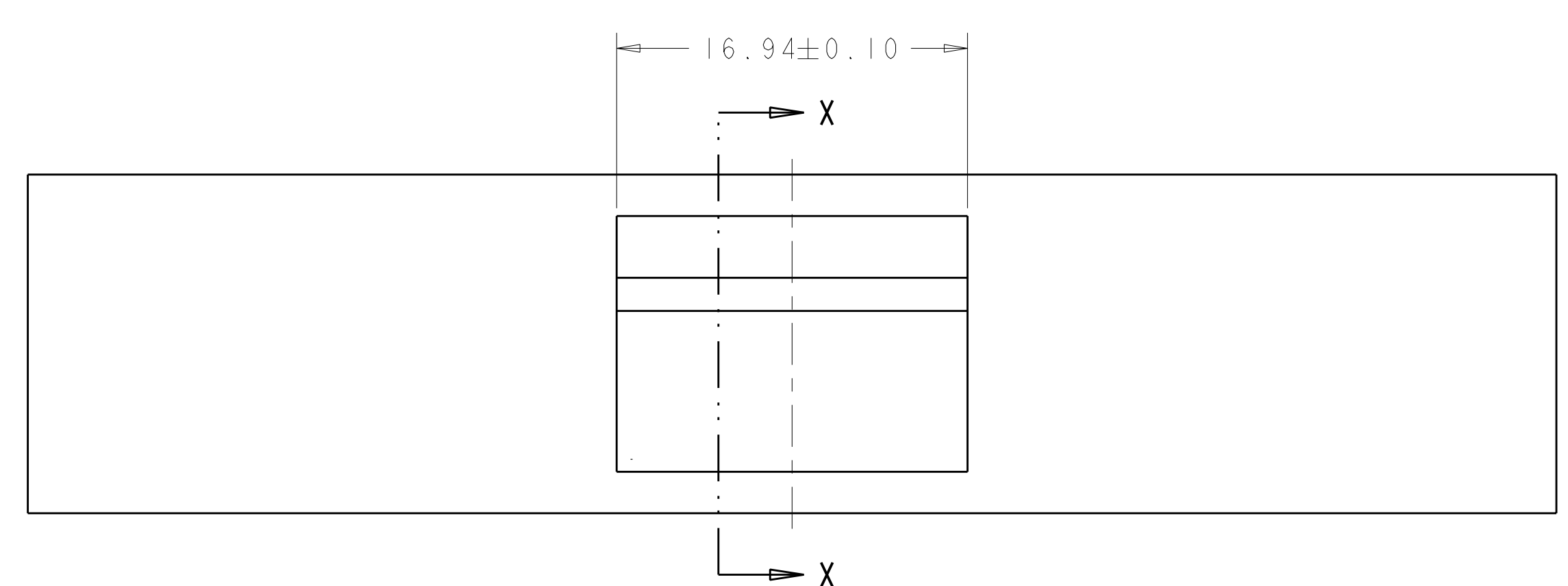
SECTION X-X



AMC SINGLE WIDTH, HALF HEIGHT MODULE FACE PLATE
SCALE 4:1



AMC SINGLE WIDTH, FULL HEIGHT MODULE FACE PLATE
SCALE 4:1



STANDARD FACE PLATE
SCALE 4:1

THIS DRAWING IS A CONTROLLED DOCUMENT.		DWN: MS/L.A.MAYER 15FEB2008	TE Connectivity
DIMENSIONS: mm		CHK: J.WESTMAN 13FEB2008	
TOLERANCES UNLESS OTHERWISE SPECIFIED:		APVD: S.FLICKINGER 15FEB2008	NAME: CONNECTOR ASSEMBLY, LOW PROFILE, PRESS FIT, MODULAR JACK, 1X1, RJ45 PRODUCT SPEC: 108-2274 APPLICATION SPEC: 114-13179
0 PLC ± 1 PLC ± 2 PLC ±0.13 3 PLC ± 4 PLC ± ANGLES ±° FINISH SEE NOTE 1		SIZE: CAGE CODE: DRAWING NO: A100779C-1888250 WEIGHT: - CUSTOMER DRAWING	
MATERIAL: SEE NOTE 1		RESTRICTED TO: -	SCALE: 5:1 SHEET: 3 OF 3 REV: C