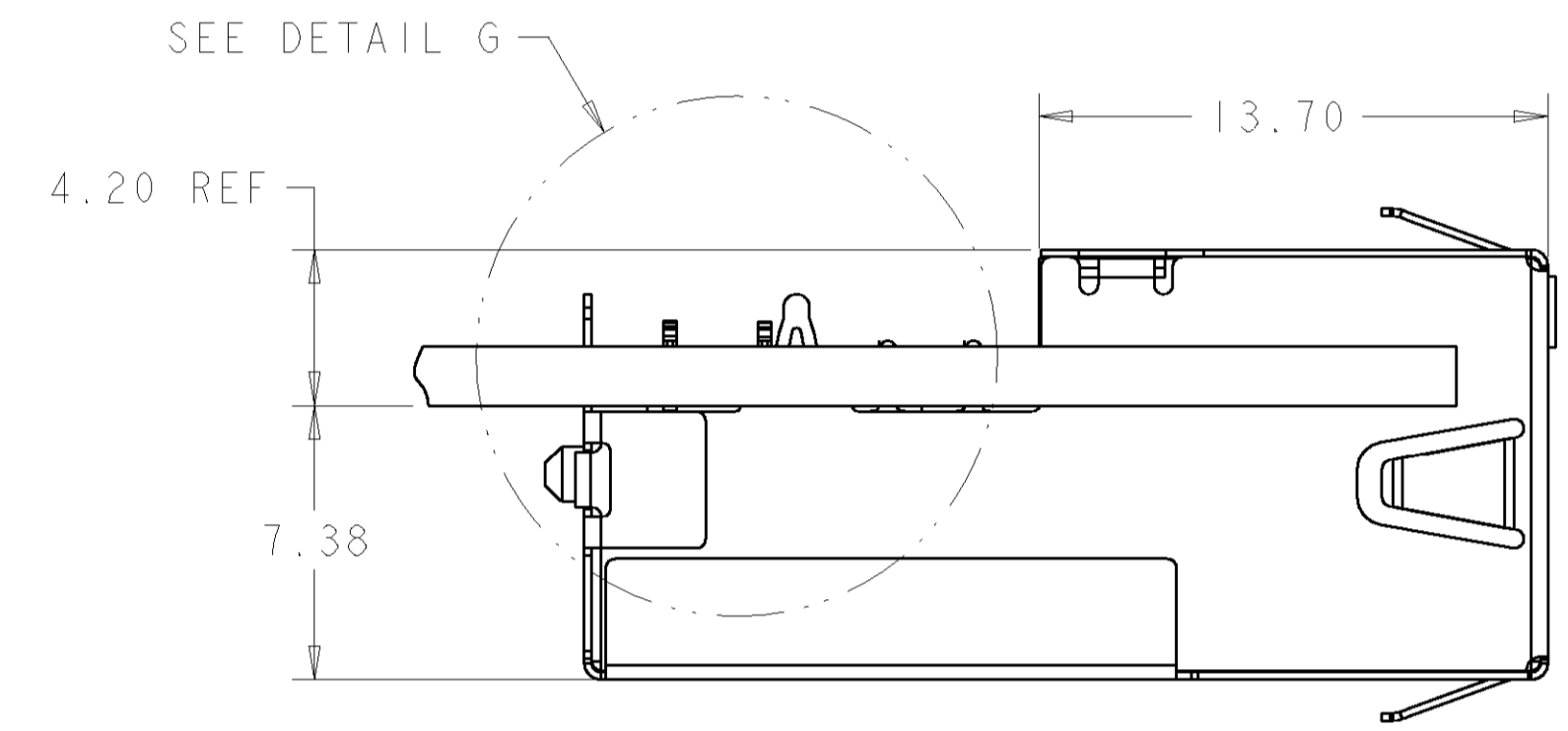
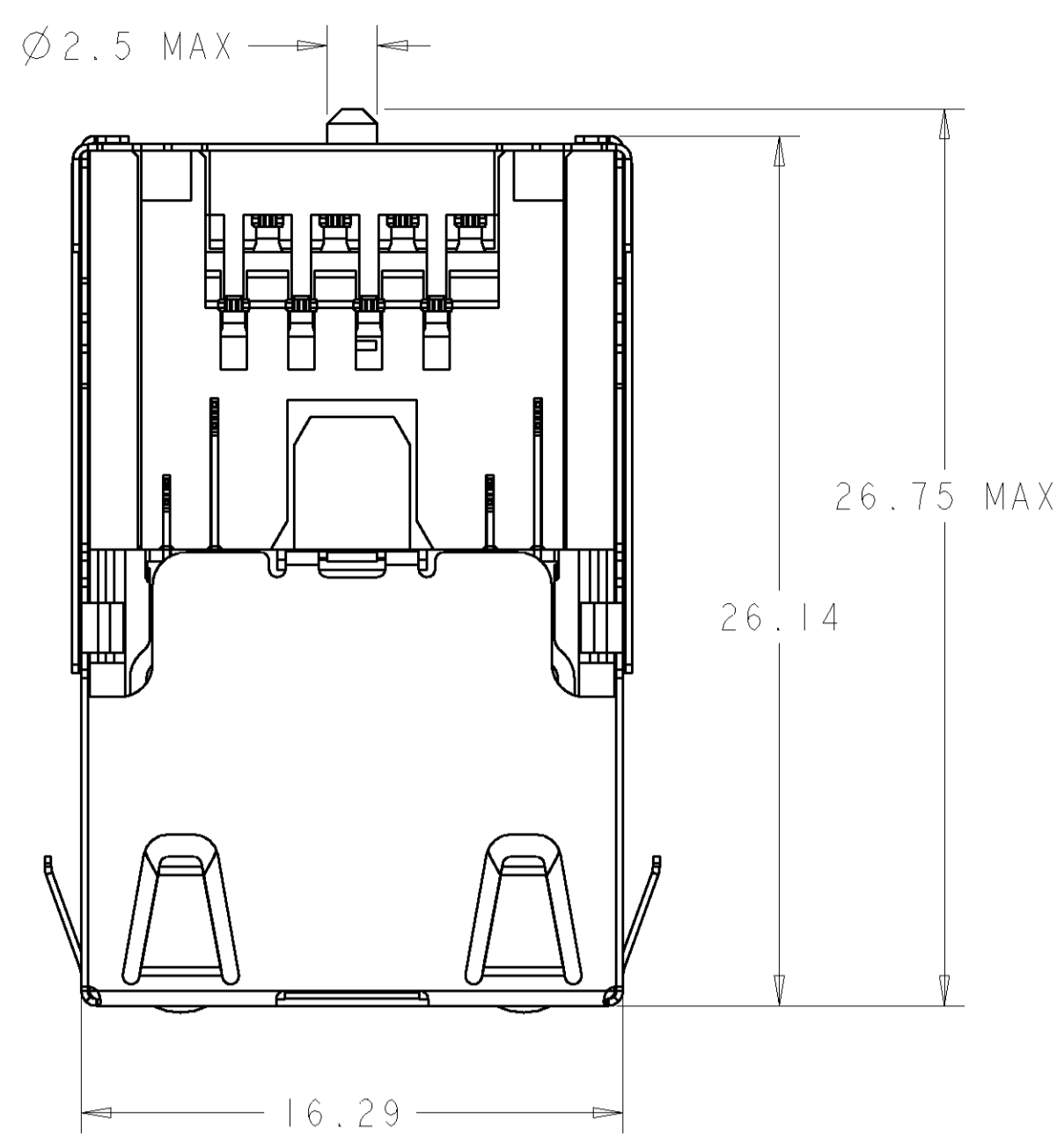
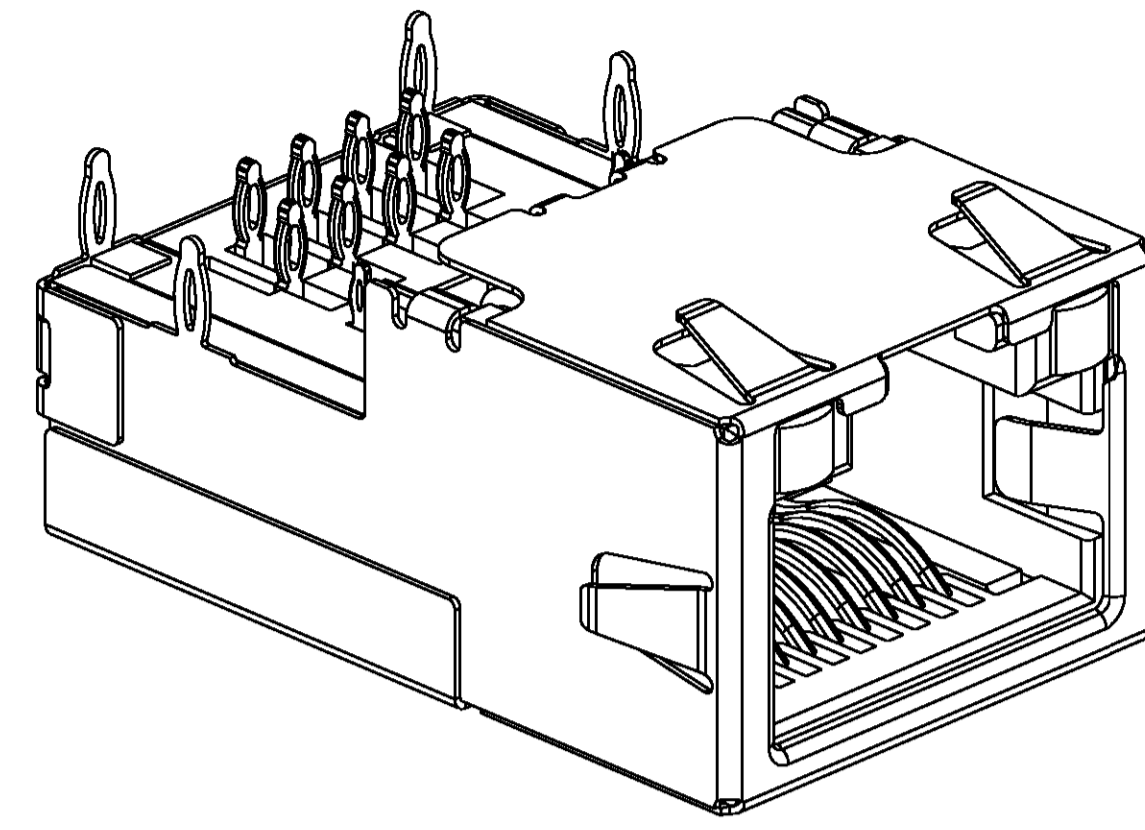
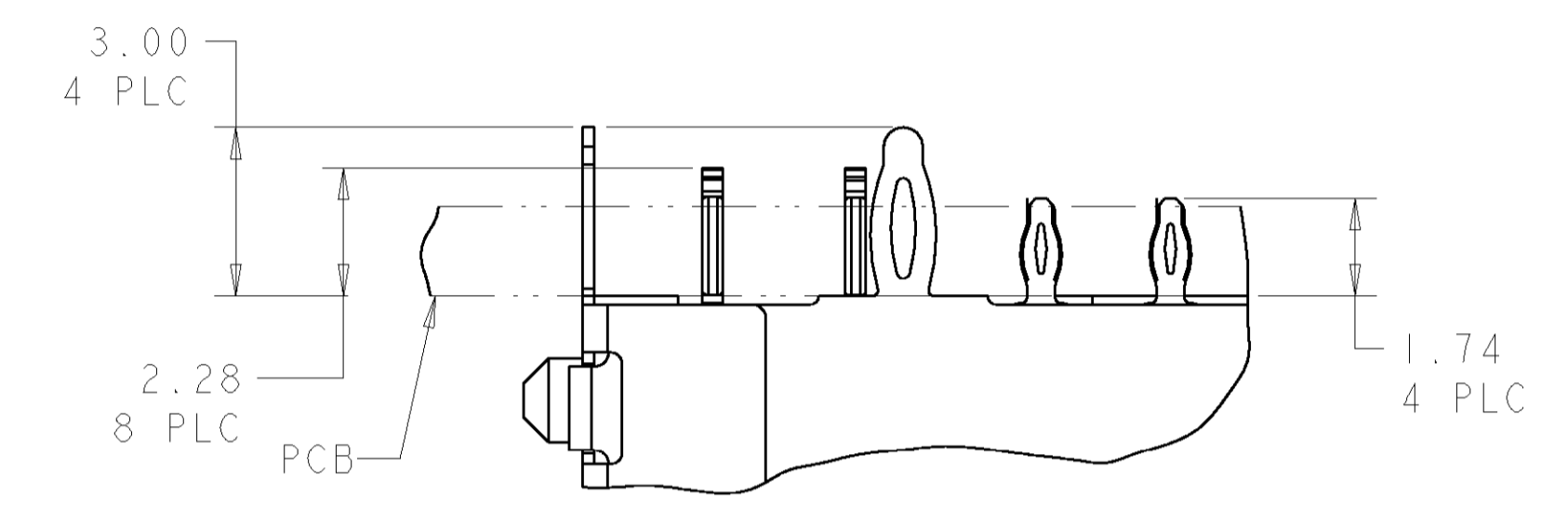
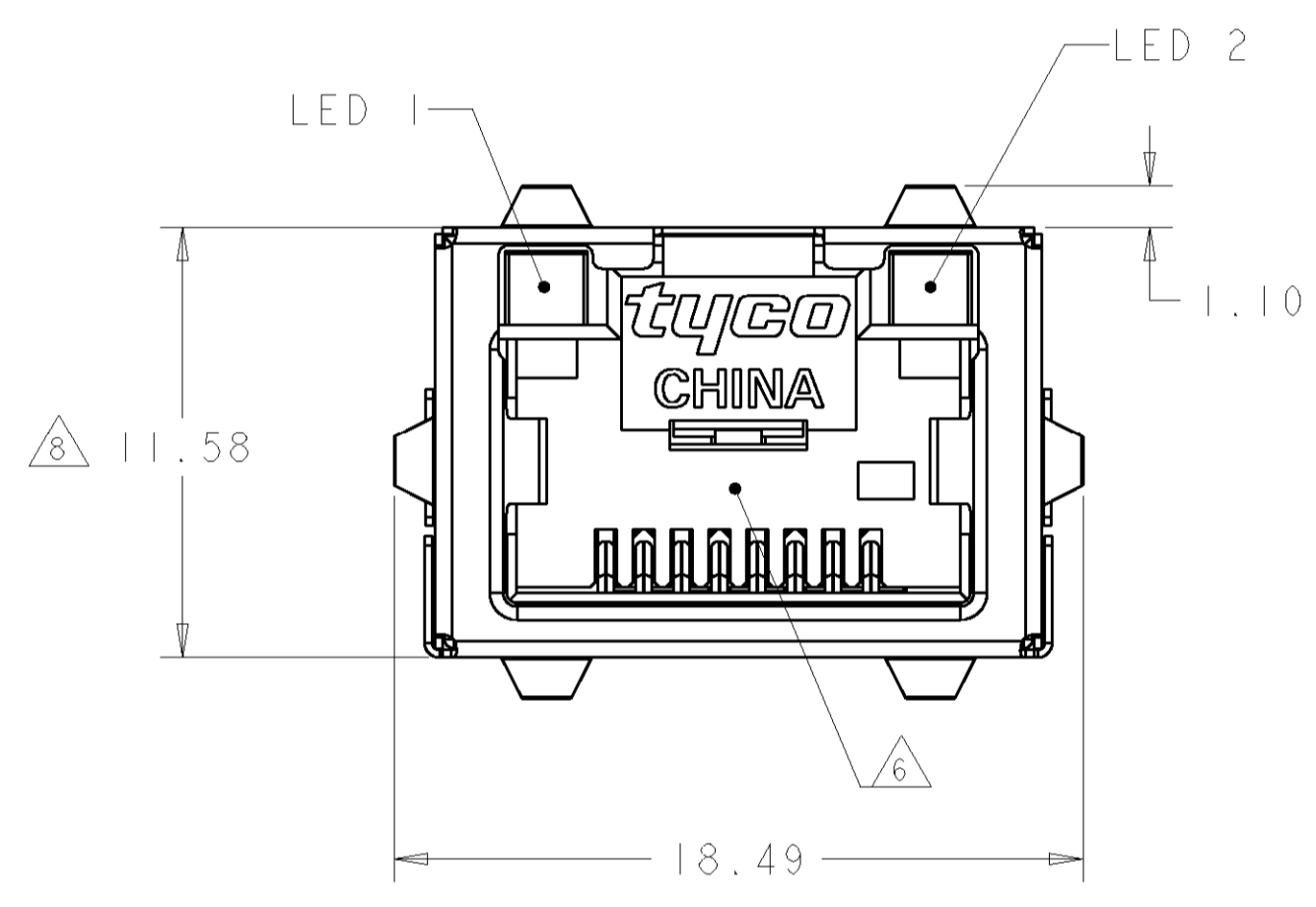


LOC	DIST	REVISIONS					
GP	00	P	LTR	DESCRIPTION	DATE	DWN	APVD
		5		ADDED REAR POST DIMENSIONS	10JUL07	MS	MP
		6		REV NOTE 1, WAS 2.54 NICKEL NOW 1.27	19SEP07	MS	KM



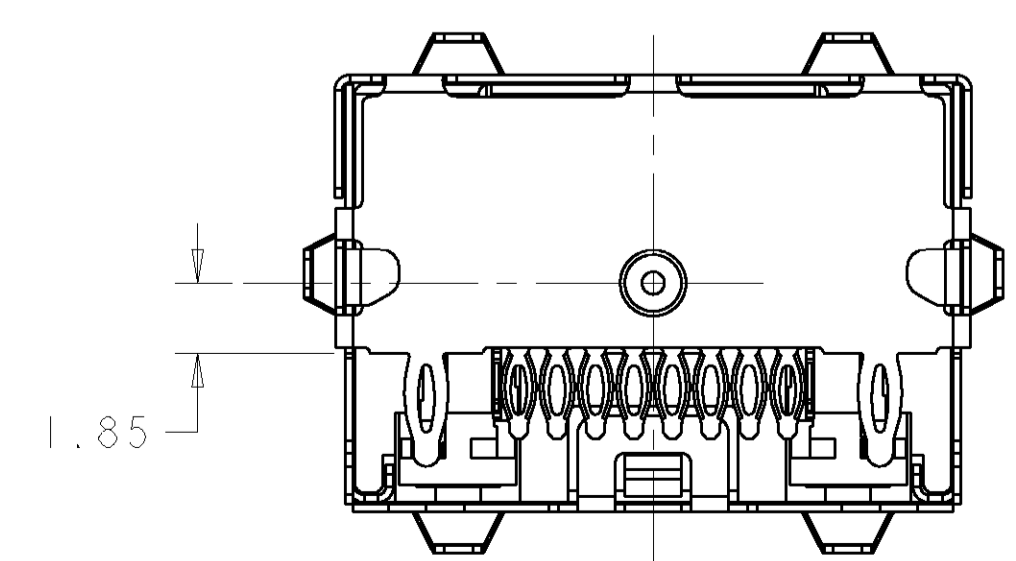
VIEW SHOWN ASSEMBLED TO PCB ONLY



DETAIL G SCALE 8:1

THIS PRODUCT HAS NOT COMPLETED VALIDATION/QUALIFICATION TESTING

- △ MATERIALS:  
 HOUSING: BLACK THERMOPLASTIC, 94V-0.  
 SHIELD: COPPER ALLOY WITH TIN PLATE.  
 CONTACTS: PHOSPHOR BRONZE WITH 1.27µm MIN GOLD AT MATING INTERFACE OVER 1.27µm MIN NICKEL UNDERPLATE.
- 2. PERFORMANCE:  
 INSERTION LOSS: 0.4dB @ 100 MHz.  
 RETURN LOSS: 12.0dB @ 100 MHz.  
 CROSSTALK ATTENUATION:  
 CMRR: 40.1dB @ 100 MHz.
- 3. LED'S COMPLIANT WITH IEC60825-1 SAFETY OF LASER PRODUCTS WHEN OPERATED AT CURRENT OF 20mA.
- 4. ALL DIMENSIONS NOMINAL.
- 5. RECOMMENDED MOTHERBOARD PCB THICKNESS: 1.60±0.16.
- △ RJ45 PORT CONFORMS TO FCC RULES AND REGULATIONS PART 68 SUB-PART F.
- △ TYCO LOGO, PART NUMBER, DATE CODE AND COUNTRY OF ORIGIN TO BE MARKED IN APPROXIMATE LOCATION SHOWN.
- △ THIS DIMENSION MEETS THE ADVANCED MEZZANINE CARD (AMC) SPECIFICATION.

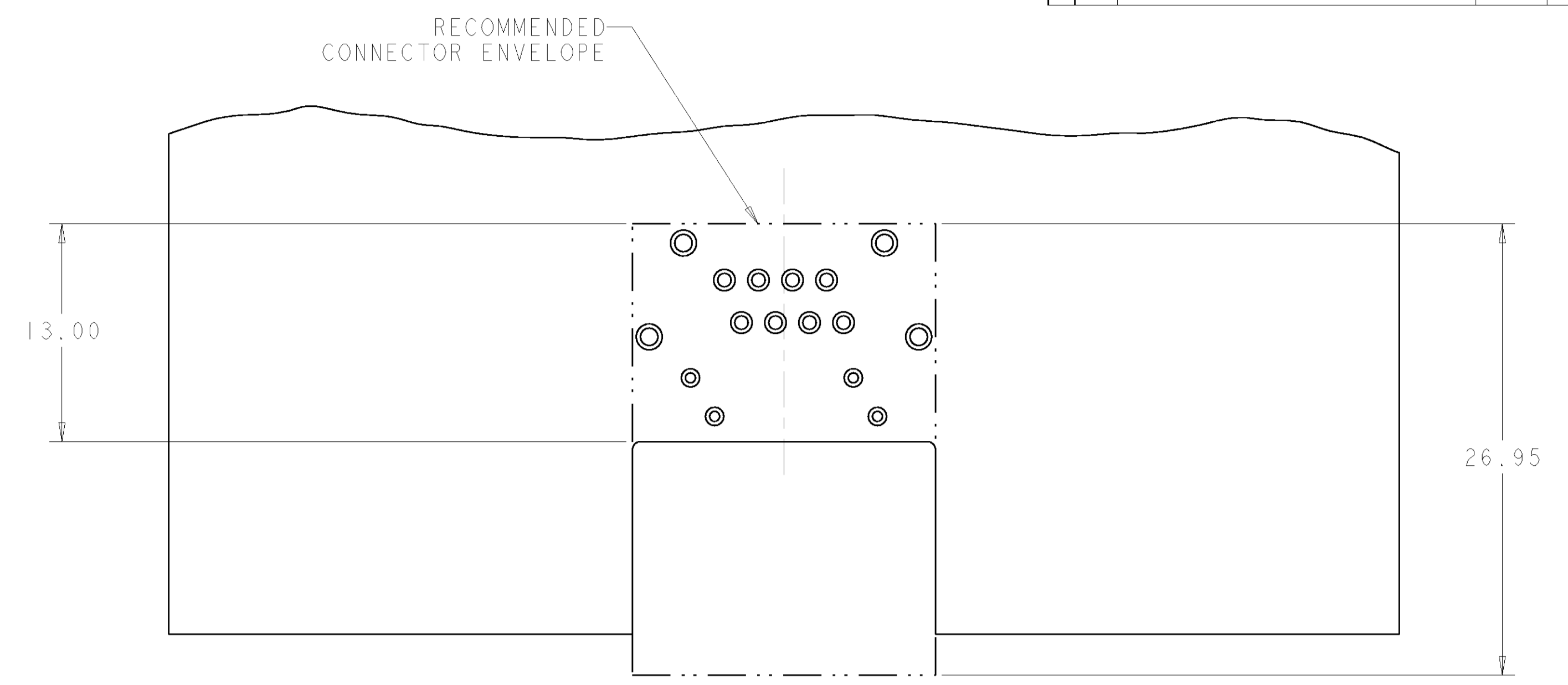
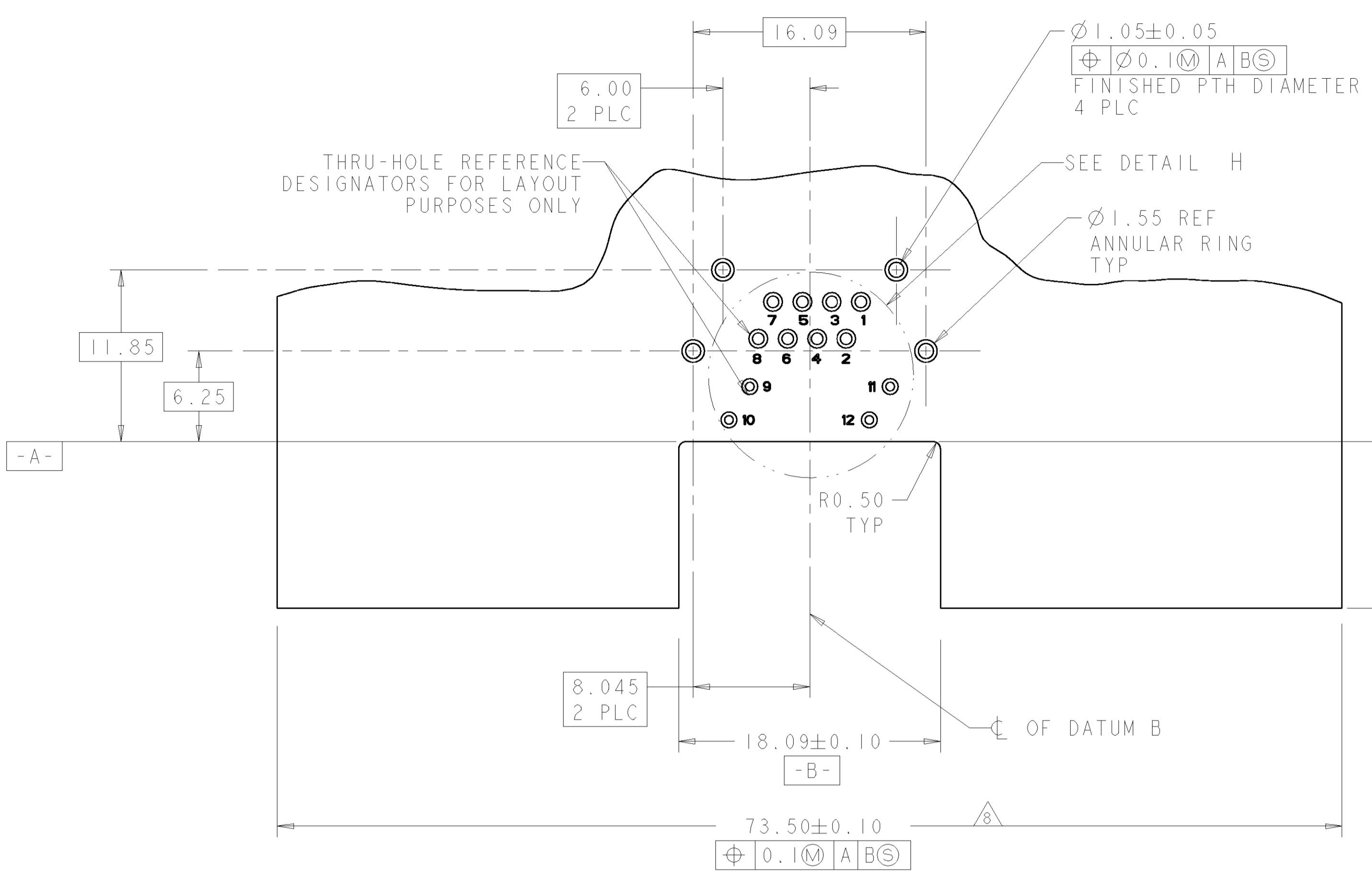


PROPOSED DESIGN  
**PRELIMINARY**  
 DESIGN IS SUBJECT TO CHANGE WITHOUT NOTICE

LED #1	LED #2	PART NUMBER
GREEN	GREEN	1888250-4
-	-	1888250-3
GRN/YEL	GRN/YEL	1888250-2
GREEN	YELLOW	1888250-1

<small>THIS DRAWING IS UNPUBLISHED. RELEASED FOR PUBLICATION BY TYCO ELECTRONICS CORPORATION. ALL RIGHTS RESERVED.</small>		DWN: M. E. SHIRK 22NOV05 ENR: KEITH MURR 22NOV05 APVD: -	<b>tyco</b> Tyco Electronics Harrisburg, PA 17105-3608
DIMENSIONS: mm TOLERANCES UNLESS OTHERWISE SPECIFIED: 0 PLC ± 1 PLC ±0.13 2 PLC ± 3 PLC ± 4 PLC ± ANGLES ±° FINISH		PRODUCT SPEC: - APPLICATION SPEC: - WEIGHT: - CUSTOMER DRAWING: -	NAME: CONNECTOR ASSEMBLY, LOW PROFILE, PRESS FIT, MODULAR JACK, 1X1, RJ45 SIZE: A100779 CAGE CODE: C=1888250 SCALE: 5:1 SHEET 1 OF 4 REV 6

LOC		DISTR		REVISIONS			
GP	00	P	LTR	DESCRIPTION	DATE	DRN	APVD
		6		SEE SHEET 1	-	-	-

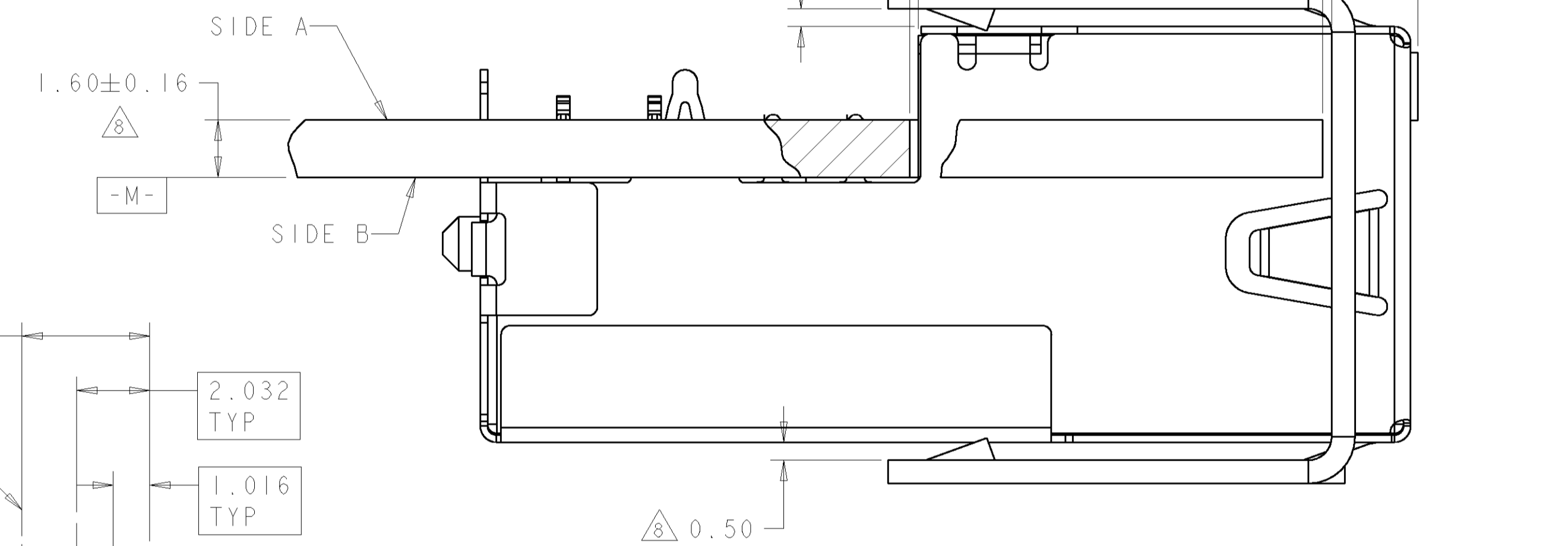
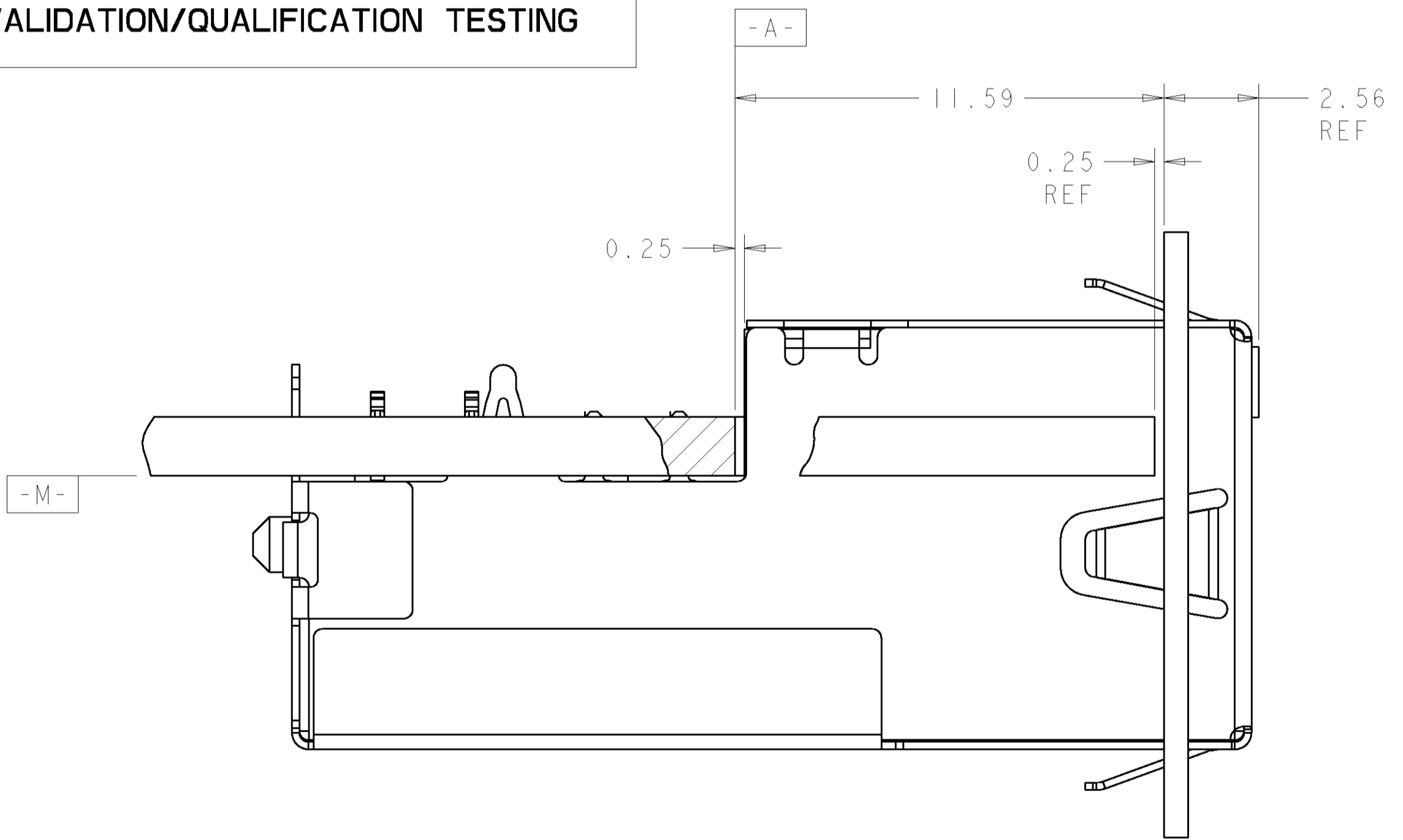


STANDARD FACE PLATE	11.34
AMC MODULE FACE PLATE	11.50
PCB CUTOUT	D

SIDE A

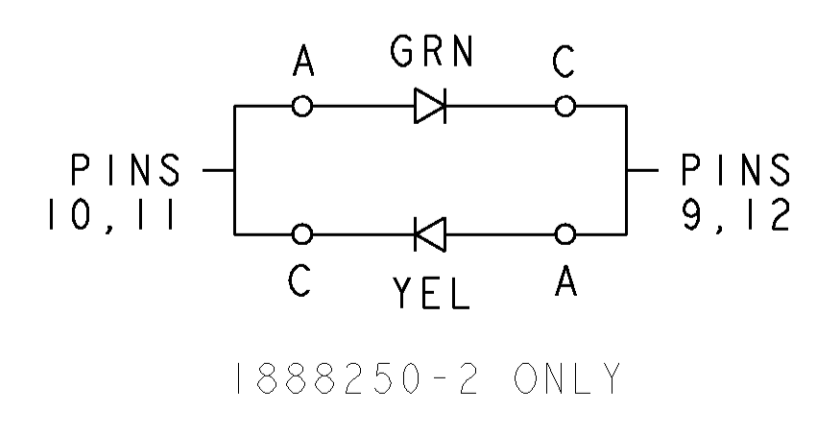
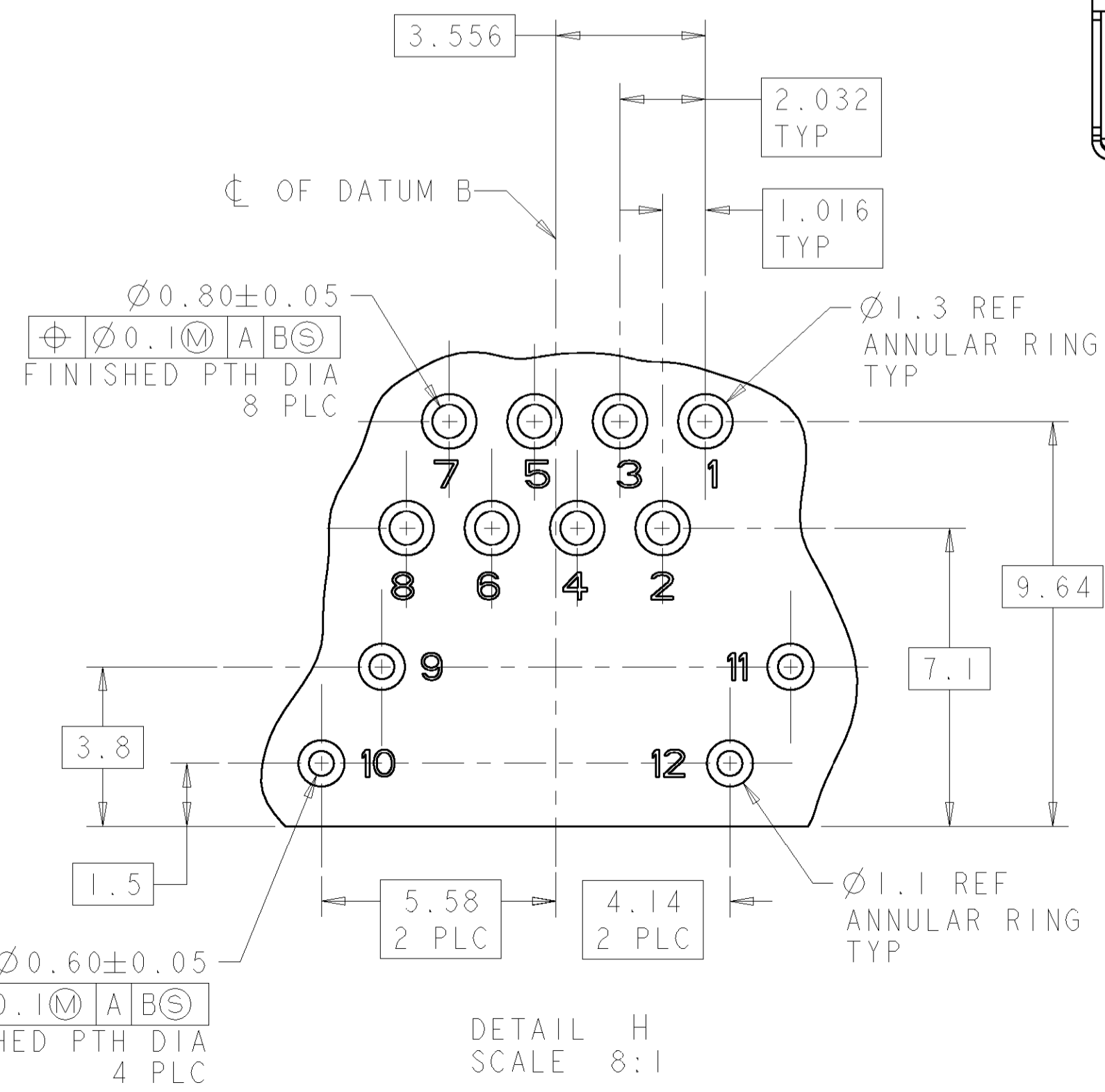
SIDE B

THIS PRODUCT HAS NOT COMPLETED  
 VALIDATION/QUALIFICATION TESTING



VIEW SHOWN ASSEMBLED  
 TO PCB AND RECOMMENDED  
 STANDARD FACE PLATE  
 SCALE 8:1

VIEW SHOWN ASSEMBLED  
 TO PCB AND RECOMMENDED  
 AMC MODULE FACE PLATE  
 SCALE 8:1

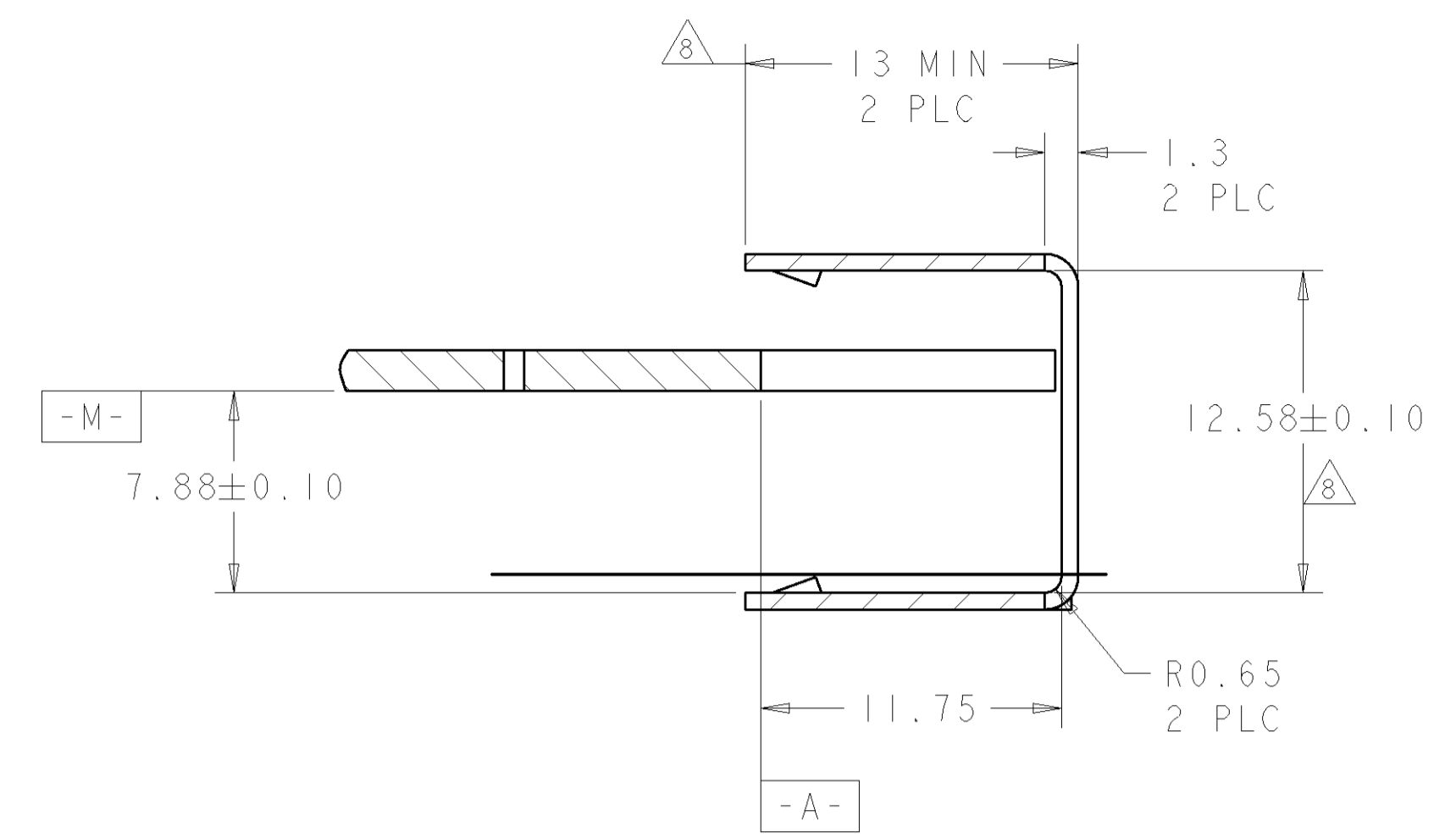


PROPOSED DESIGN  
**PRELIMINARY**  
 DESIGN IS SUBJECT TO  
 CHANGE WITHOUT NOTICE

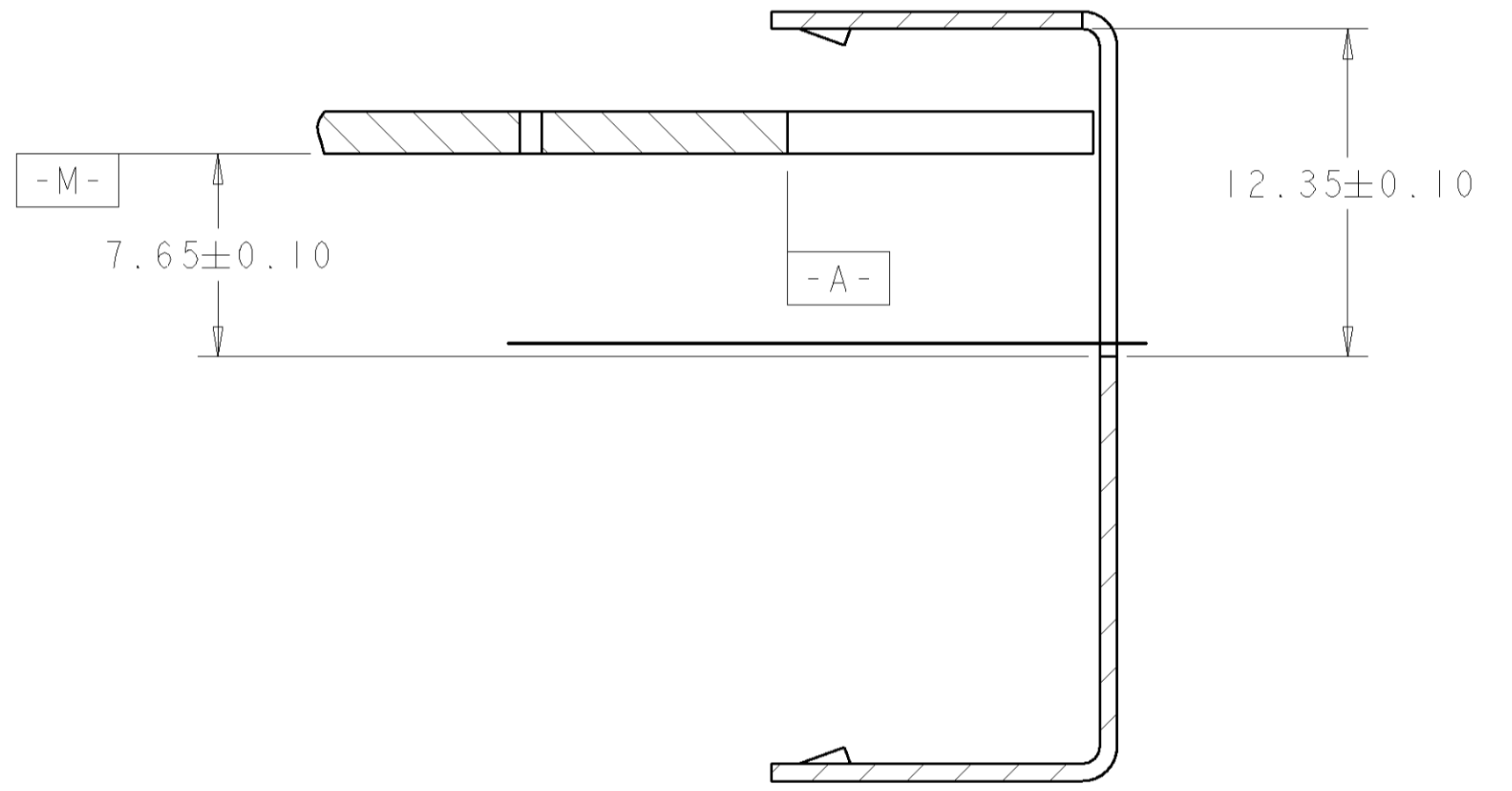
	PIN #	1888250-1	1888250-2	1888250-3	1888250-4
LED 1	9	CATHODE (-)	ANODE (YEL), CATHODE (GRN)	-	CATHODE (-)
	10	ANODE (+)	ANODE (GRN), CATHODE (YEL)	-	ANODE (+)
LED 2	11	ANODE (+)	ANODE (GRN), CATHODE (YEL)	-	ANODE (+)
	12	CATHODE (-)	ANODE (YEL), CATHODE (GRN)	-	CATHODE (-)

DIMENSIONS:		TOLERANCES UNLESS OTHERWISE SPECIFIED:		DRN	M. E. SHIRK	22NOV05	tyco Electronics	Tyco Electronics Harrisburg, PA 17105-3608
mm		0 PLC	±	CHK	KEITH MURR	22NOV05		
		1 PLC	±0.13	APVD			NAME	CONNECTOR ASSEMBLY, LOW PROFILE, PRESS FIT, MODULAR JACK, 1X1, RJ45
		2 PLC	±				PRODUCT SPEC	
		3 PLC	±				APPLICATION SPEC	
		4 PLC	±				WEIGHT	
		5 PLC	±				SIZE	CAGE CODE DRAWING NO
		6 PLC	±				MATERIAL	A100779C=1888250
		7 PLC	±				FINISH	
		8 PLC	±				CUSTOMER DRAWING	
		9 PLC	±				SCALE	5:1 SHEET 2 OF 4 REV 6

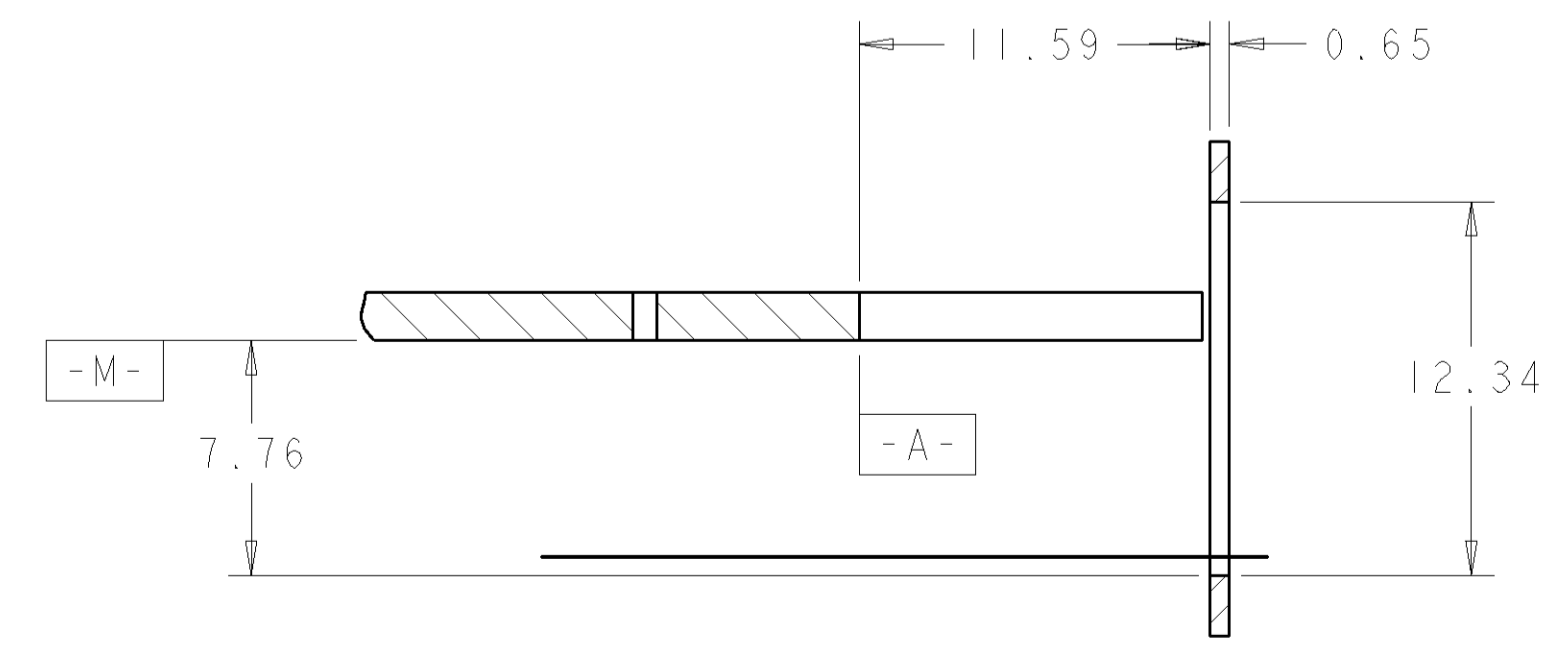
LOC		DIST		REVISIONS			
P	LTR	DESCRIPTION	DATE	DWN	APVD		
6		SEE SHEET 1	-	-	-		



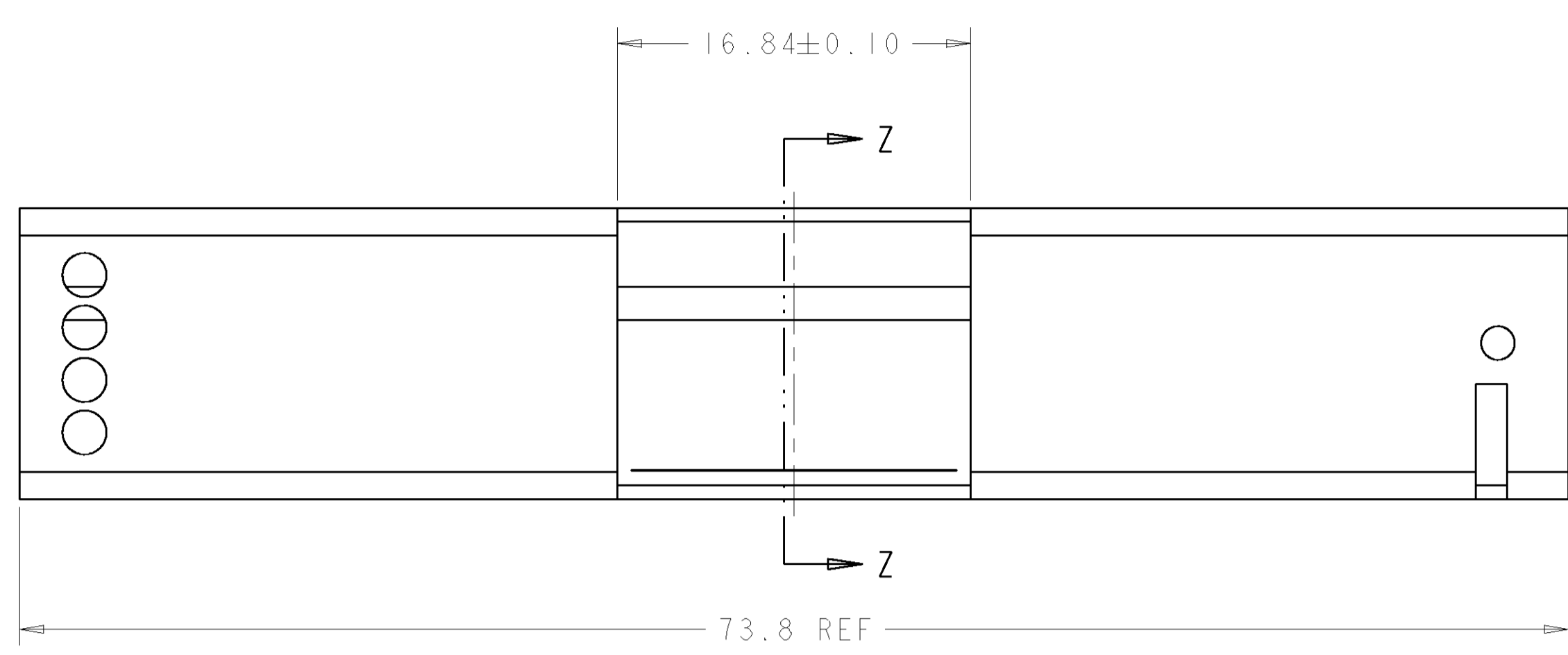
SECTION Z-Z



SECTION Y-Y

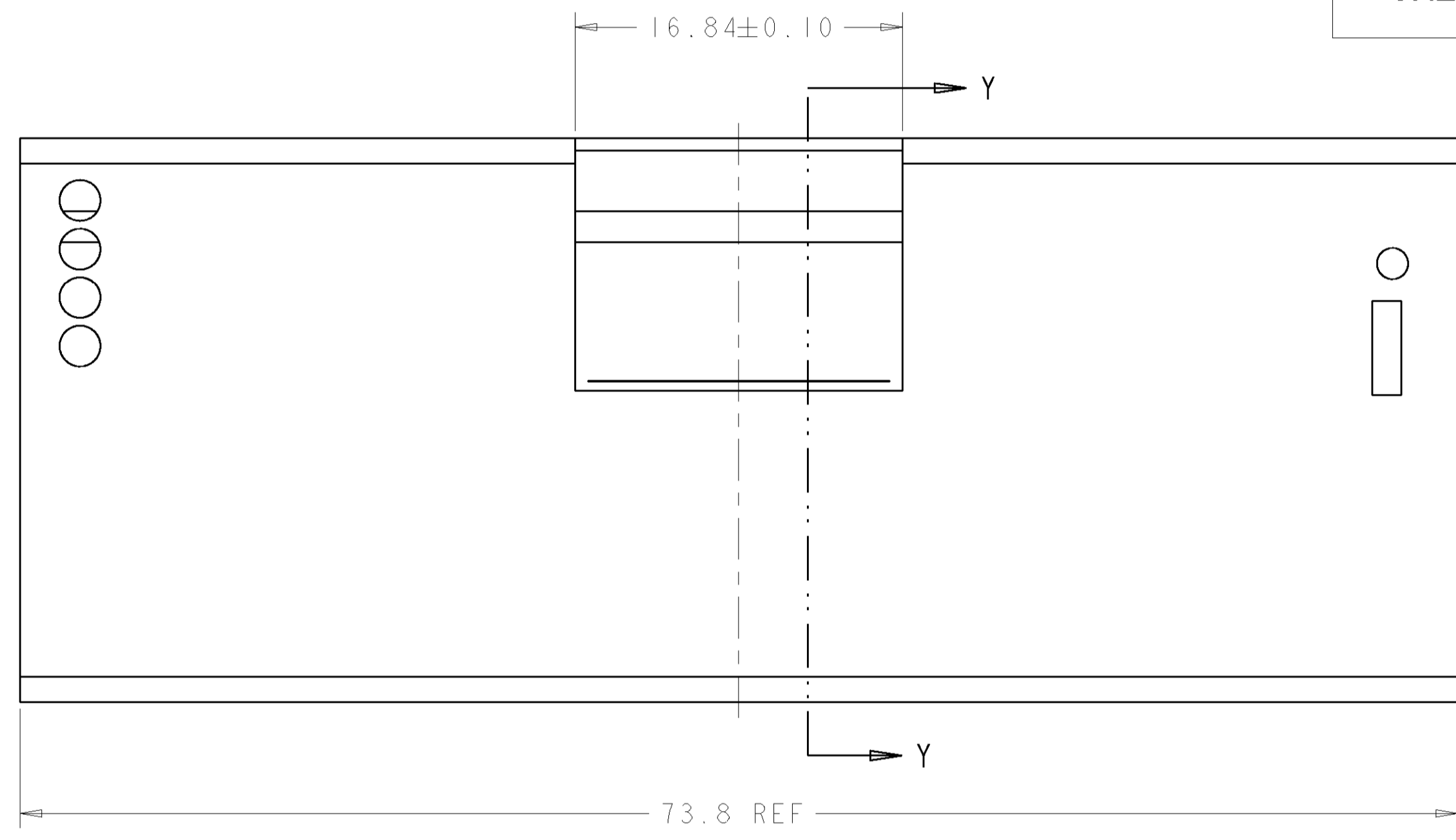


SECTION X-X



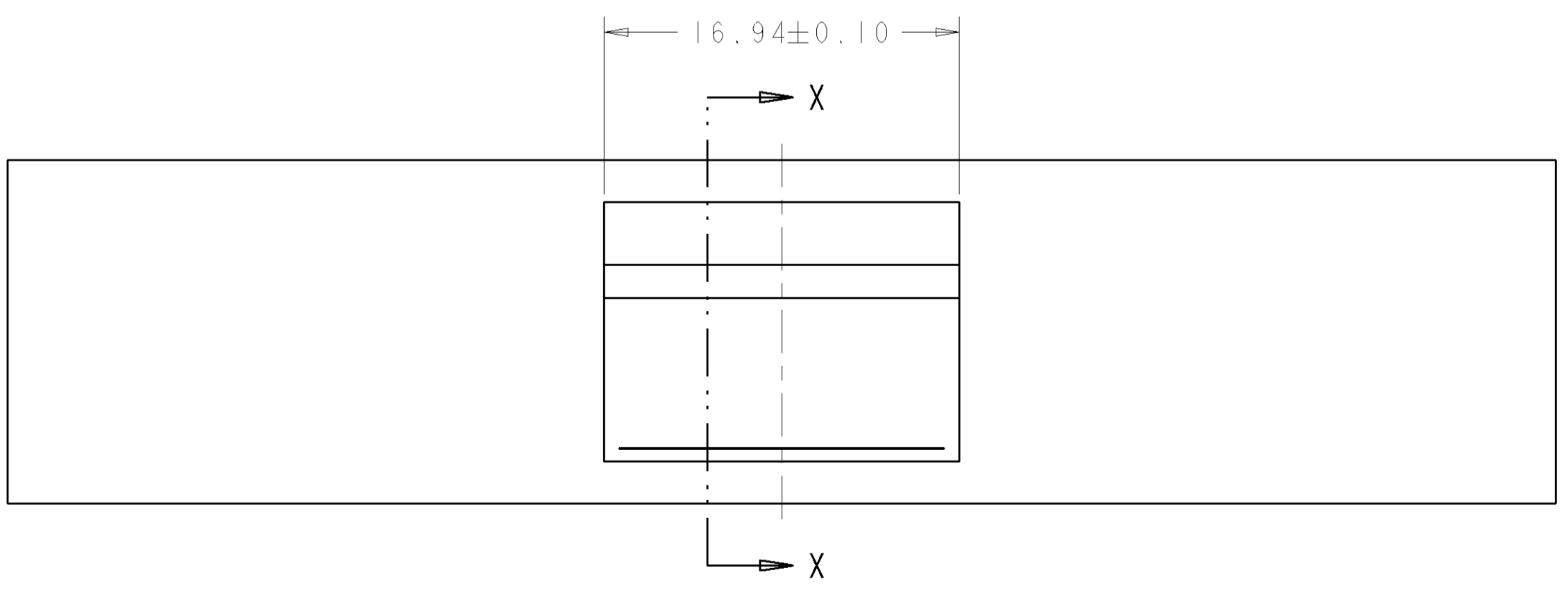
AMC SINGLE WIDTH, HALF HEIGHT MODULE FACE PLATE  
SCALE 4:1

THIS PRODUCT HAS NOT COMPLETED  
VALIDATION/QUALIFICATION TESTING



AMC SINGLE WIDTH, FULL HEIGHT MODULE FACE PLATE  
SCALE 4:1

PROPOSED DESIGN  
**PRELIMINARY**  
DESIGN IS SUBJECT TO  
CHANGE WITHOUT NOTICE



STANDARD FACE PLATE  
SCALE 4:1

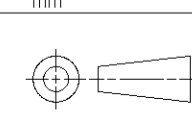
<small>THE DIMENSIONS ON THIS DRAWING ARE UNLESS OTHERWISE SPECIFIED TO THE DIMENSIONS OF THE STANDARD DRAWING OR THE DIMENSIONS OF THE PARTS MANUFACTURED BY TYCO ELECTRONICS CORPORATION. THIS DRAWING IS UNPUBLISHED. RELEASED FOR PUBLICATION. ALL RIGHTS RESERVED. THIS DRAWING IS THE PROPERTY OF TYCO ELECTRONICS CORPORATION. IT IS TO BE USED ONLY FOR THE PURPOSES AND CONDITIONS SPECIFIED IN THE ORDER. CONTACT TYCO ELECTRONICS CORPORATION FOR ANY OTHER INFORMATION.</small>		DWN: M. E. SHIRK 04JAN06 CHK: KEITH MURR 04JAN06 APVD: -	<b>tyco</b> Electronics Tyco Electronics Harrisburg, PA 17105-3608
DIMENSIONS: mm: 0 PLC ± 1 PLC ± 2 PLC ±0.13 3 PLC ± 4 PLC ± ANGLES ±° FINISH -	TOLERANCES UNLESS OTHERWISE SPECIFIED: 0 PLC ± 1 PLC ± 2 PLC ±0.13 3 PLC ± 4 PLC ± ANGLES ±° FINISH -	NAME: CONNECTOR ASSEMBLY, LOW PROFILE, PRESS FIT, MODULAR JACK, 1X1, RJ45 PRODUCT SPEC - APPLICATION SPEC - WEIGHT - CUSTOMER DRAWING	SIZE: A   00779   C=1888250 SCALE: 5:1   SHEET: 3 OF 4   REV: 6

LOC	DIST	REVISIONS					
GP	00	P	LTR	DESCRIPTION	DATE	OWN	APVD
		6		SEE SHEET 1	-	-	-

1888250-C				STOCK DISPOSITION				
REVISION HISTORY				A: CONTINUE AS IS B: REWORK C: SCRAP				
				D: USE OLD FIRST E: PARTS TO CONFORM F: OTHER				
DATE	REV	CHANGES	REASON	APPROVAL	INVENTORY (A,B,C,D,E,F)	WORK IN PROCESS (A,B,C,F)	SUPPLIER ORDERS (A,E,F)	OPEN CUST ORDERS (A,E,F)
22NOV05	1	PROPOSED.	-	KEITH MURR	-	-	-	-
04JAN06	2	SHEET 2: RMV 12.58, ADD 1.45 REF. 12.70, ZONE C1. WAS 12.75 NOW DIM D. ADD TABLE, ZONE C5. WAS BASIC 4 NOW BASIC 6, ZONE D7. ADDED SHEET 3 OF 4, JMC AND STANDARD FACE PLATE LAYOUTS.	DRAWING CLEANUP. REQUIRED INFORMATION.	KEITH MURR	-	-	-	-
12JAN06	3	SHEET 1: ADDED DETAIL G, ZONE D1. SHEET 2: REMOVE DETAIL G, ZONE A4. ADDED VIEW WITH STANDARD FACE PLATE, ZONE B7. SHEET 3: ADDED JMC SINGLE WIDTH, FULL HEIGHT FACE PLATE, ZONE C4.	DRAWING CLEANUP. REQUIRED INFORMATION.	KEITH MURR	-	-	-	-
07APR06	4	SHEET 1: REVISE LED COLORS FOR 1888250-1. ADDED 1888250-4, ZONE A1. REVISED CALLOUTS. WAS LED 1 NOW LED 2, WAS LED 2 NOW LED 1, ZONE C5. SHEET 2: WAS Ø1.05 NOW Ø1.05±0.05, ZONE D6. REV DETAIL G NOW DETAIL H. REMOVED PLUS, MINUS SYMBOLS ADDED 9,10,11,12, ZONE A4. ADDED SCHEMATIC, ZONE A2 AND LED TABLE, ZONE A8.	REQUESTED BY CUSTOMER. CLARIFY LED CALLOUTS.	KEITH MURR	-	-	-	-
10JUL07	5	SHEET 1: ADDED REAR VIEW, 1.85, ZONE A4. ADDED 26.75 MAX. Ø2.5 MAX, ZONE D4.	REQUESTED BY CUSTOMER.	MIKE PHILLIPS	-	-	-	-
19SEP07	6	SHEET 1: REVISED NOTE 1, WAS 2.54µm MIN NICKEL NOW 1.27µm MIN NICKEL, ZONE B7.	DRAWING CLEANUP.	KEITH MURR	-	-	-	-

**THIS PRODUCT HAS NOT COMPLETED  
 VALIDATION/QUALIFICATION TESTING**

PROPOSED DESIGN  
**PRELIMINARY**  
 DESIGN IS SUBJECT TO  
 CHANGE WITHOUT NOTICE

<small>THIS DRAWING IS UNPUBLISHED. RELEASED FOR PUBLICATION BY TYCO ELECTRONICS CORPORATION. ALL RIGHTS RESERVED.</small>		DWN M. E. SHIRK 22NOV05 CHK KEITH MURR 22NOV05 APVD -	<b>tyco</b> Tyco Electronics Harrisburg, PA 17105-3608
DIMENSIONS: mm 		TOLERANCES UNLESS OTHERWISE SPECIFIED: 0 PLC ± 1 PLC ±0.13 2 PLC ± 3 PLC ± 4 PLC ± ANGLES ±° FINISH -	NAME CONNECTOR ASSEMBLY, LOW PROFILE, PRESS FIT, MODULAR JACK, 1X1, RJ45 PRODUCT SPEC - APPLICATION SPEC - SIZE CAGE CODE DRAWING NO. RESTRICTED TO A 100779 C=1888250 - WEIGHT - CUSTOMER DRAWING SCALE 4:1 SHEET 4 OF 4 REV 6