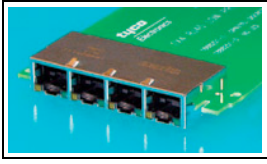


1888251-1 Product Details

[Share](#) [Print](#) [Email](#)



1888251-1

TE Internal Number: 1888251-1
✔ Active

[View 3D PDF](#)

PCB Mounted Jacks - Single Port, Multi-port and Stacked

✔ Always EU RoHS/ELV Compliant (Statement of Compliance)

Product Highlights:

- Connector
- Preloaded
- Multiple Port Configuration
- 1 x 4 Jack Configuration
- Jack Type = RJ45

[View all Features](#)

Quick Links

- ▶ [Pricing & Availability](#)
- ▶ [Search for Tooling](#)
- ▶ [Product Feature Selector](#)
- ▶ [Contact Us About This Product](#)

[Add to My Part List](#) [Request Sample](#) [Find Similar Products](#) [Buy Product](#)

Documentation & Additional Information

Product Drawings:

- [CONNECTOR ASSEMBLY, LOW PROFILE, PRESS FIT, MODULAR ...](#) (PDF, English)

Catalog Pages/Data Sheets:

- [Solutions for AdvancedTCA, AdvancedTCA 300, MicroTCA...](#) (PDF, English)

Product Specifications:

- None Available

Application Specifications:

- [Category 5, Shielded, Offset, Press Fit, Modular Jac...](#) (PDF, English)

Instruction Sheets:

- None Available

CAD Files: (CAD Format & Compression Information)

- [2D Drawing \(DXF, Version A\)](#)
- [3D Model \(IGES, Version A\)](#)
- [3D Model \(STEP, Version A\)](#)

[List all Documents](#)

Additional Information:

- [Product Line Information](#)

Related Products:

- [Tooling](#)

Product Features (Please use the Product Drawing for all design activity)

Product Type Features:

- Product Type = Connector
- Jack Type = RJ45
- PCB Mounting Orientation = Side Entry (Right Angle)
- PCB Mount Style = Through Hole
- Performance Category = Cat 5
- LED = With
- Grounding Options = Panel Ground and PCB Ground
- Panel Stops = Without
- Keyed = No
- Profile = Low
- Color = Black

Mechanical Attachment:

- [Panel Mount Retention](#) = Without

Termination Features:

- [Termination Method to PC Board](#) = Through Hole - Press Fit

Dimensions:

- Height (mm [in]) = 4.20 [0.165]
- PCB Tail Length (mm [in]) = 2.29 [0.091]

Body Features:

- Inverted Jack Face = No
- Shield Plating = Tin over Nickel
- Shield Material = Copper Alloy

Contact Features:

- [Solder Tail Contact Plating](#) = Tin over Nickel
- [Contact Plating, Mating Area, Material](#) = Gold (50)
- Contact Mating Area Plating (RJ45) = Gold (30) over Nickel (50)
- Contact Base Material = Phosphor Bronze

Configuration Features:

- Preloaded = Yes
- Port Configuration = Multiple
- Jack Configuration = 1 x 4
- Number of Positions = 8
- Shielded = Yes
- Number of Contacts Loaded = 8
- Number of PCB Ground Tabs = 4

Industry Standards:

- [RoHS/ELV Compliance](#) = RoHS compliant, ELV compliant
- [Lead Free Solder Processes](#) = Not relevant for lead free process
- RoHS/ELV Compliance History = Always was RoHS compliant

Identification Marking:

- [LED Position 1 Color](#) = Green
- [LED Position 2 Color](#) = Yellow

Packaging Features:

- Packaging Method = Tray
- Packaging Quantity = 40

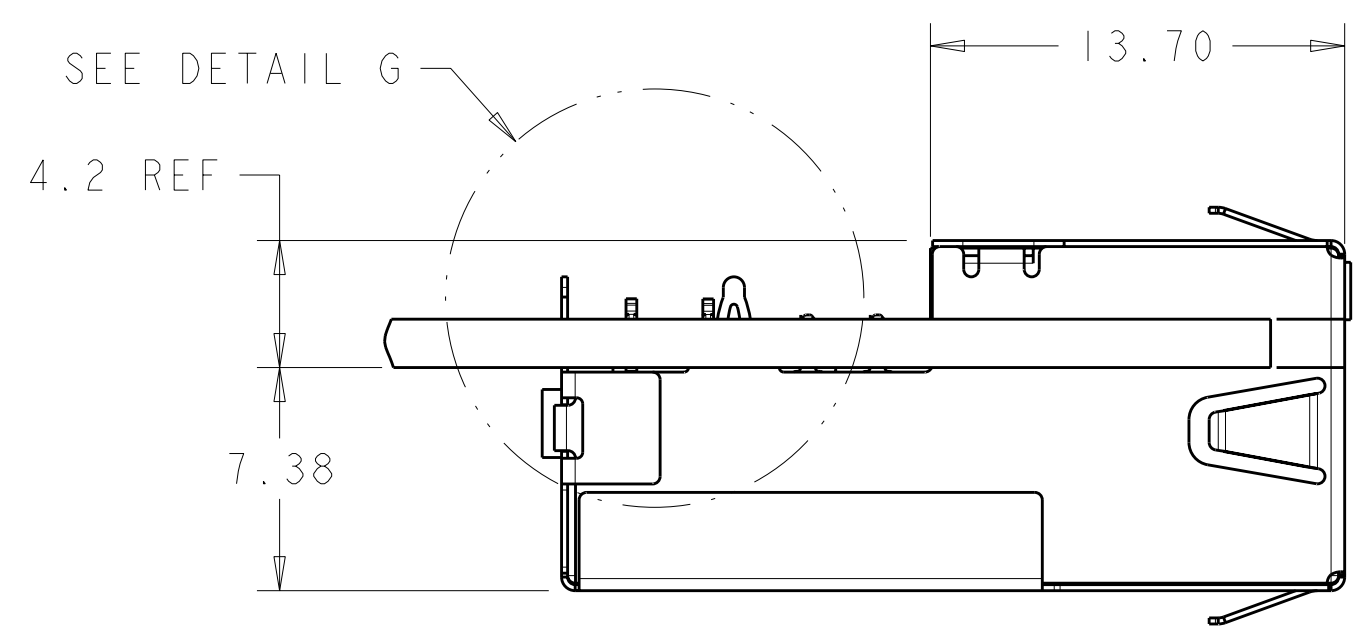
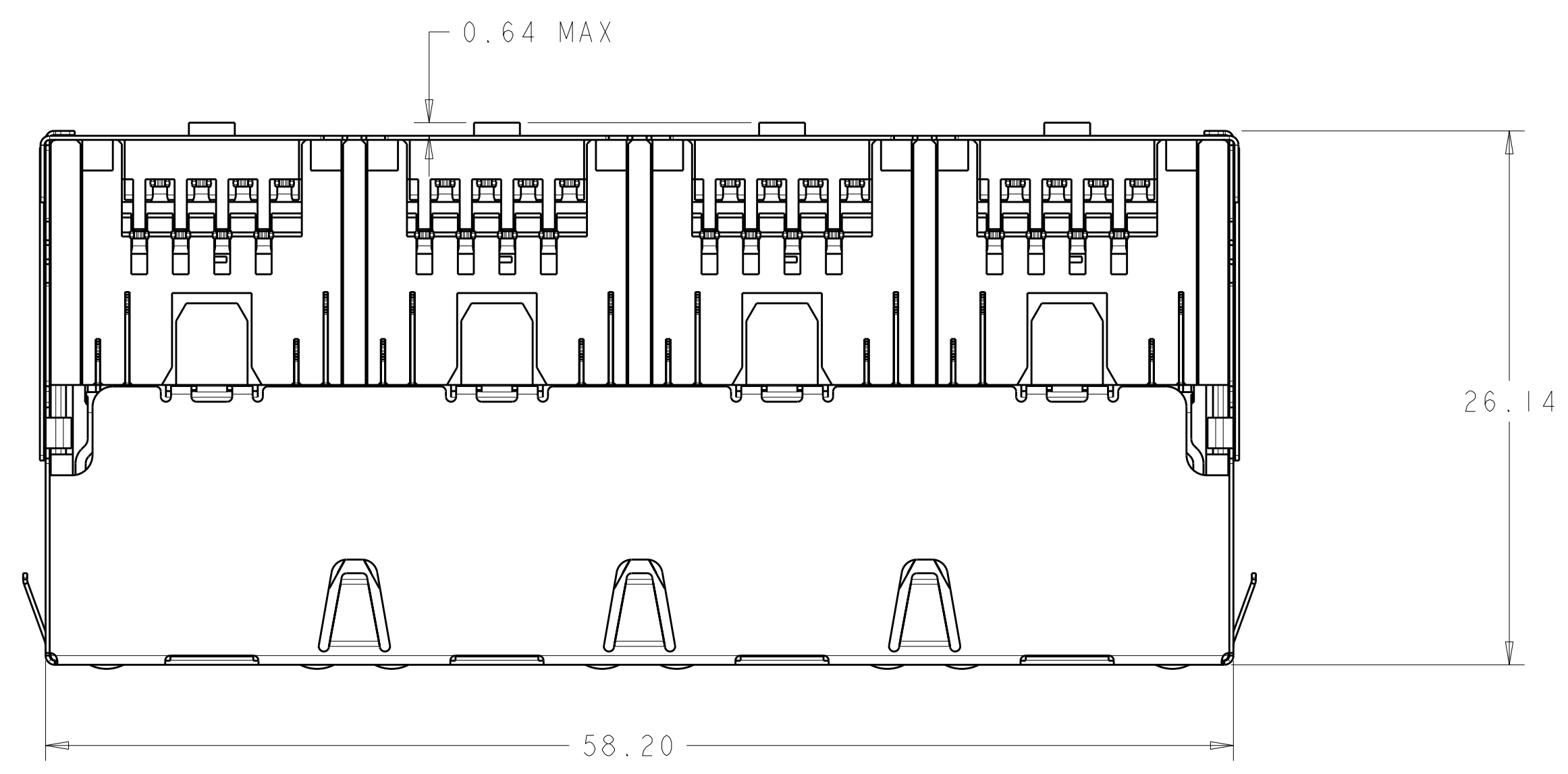
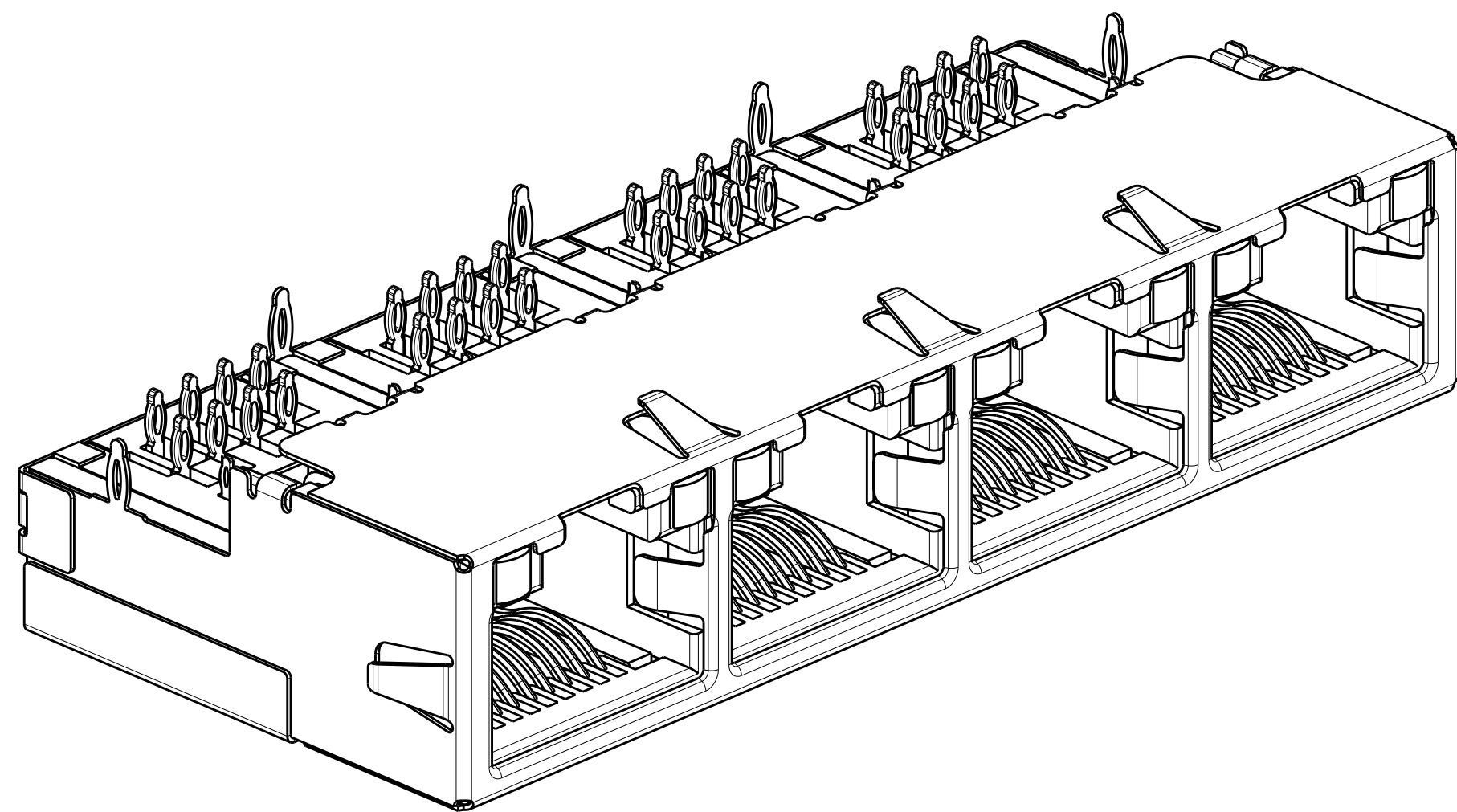
Product Availability:

- Region = Asia, North America

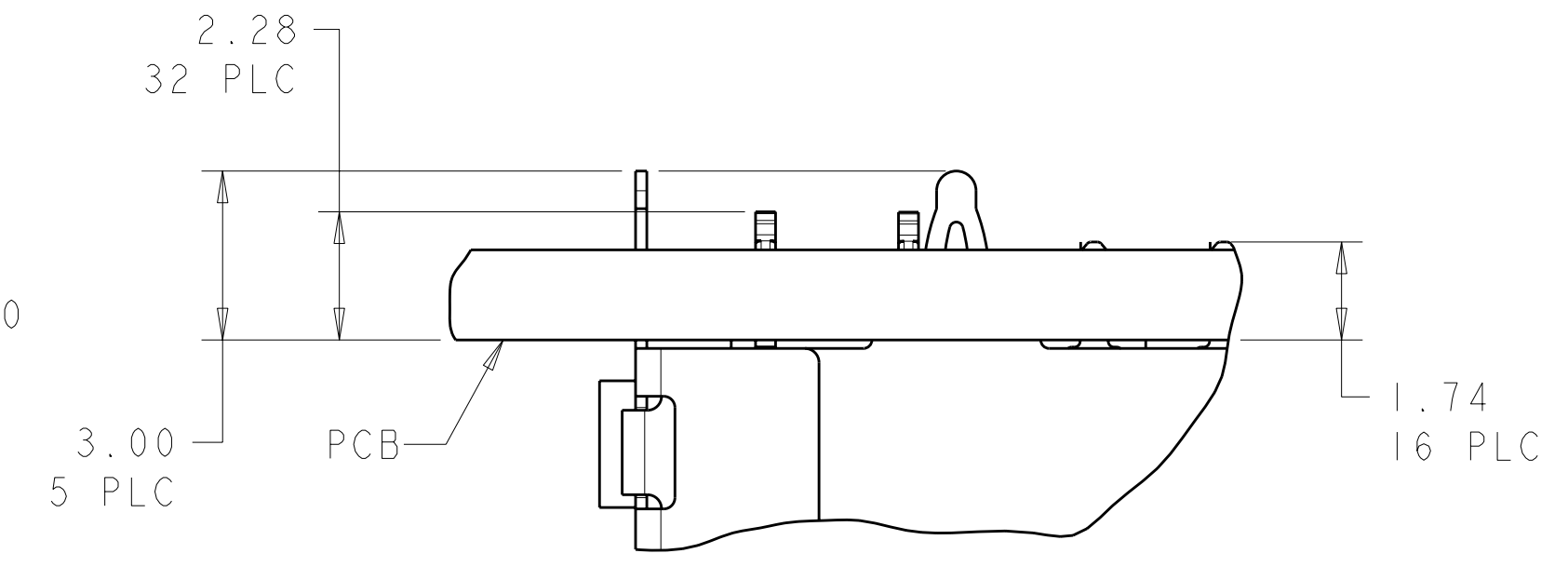
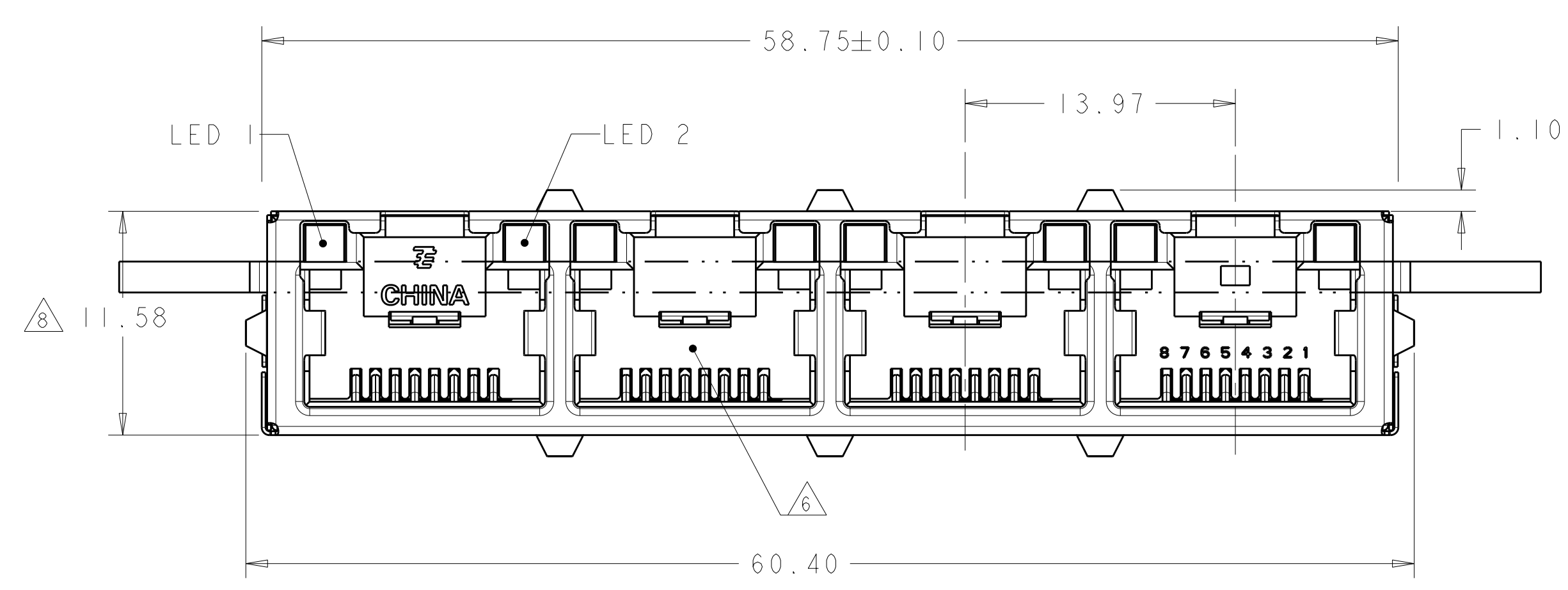
Other:

- Brand = TE Connectivity

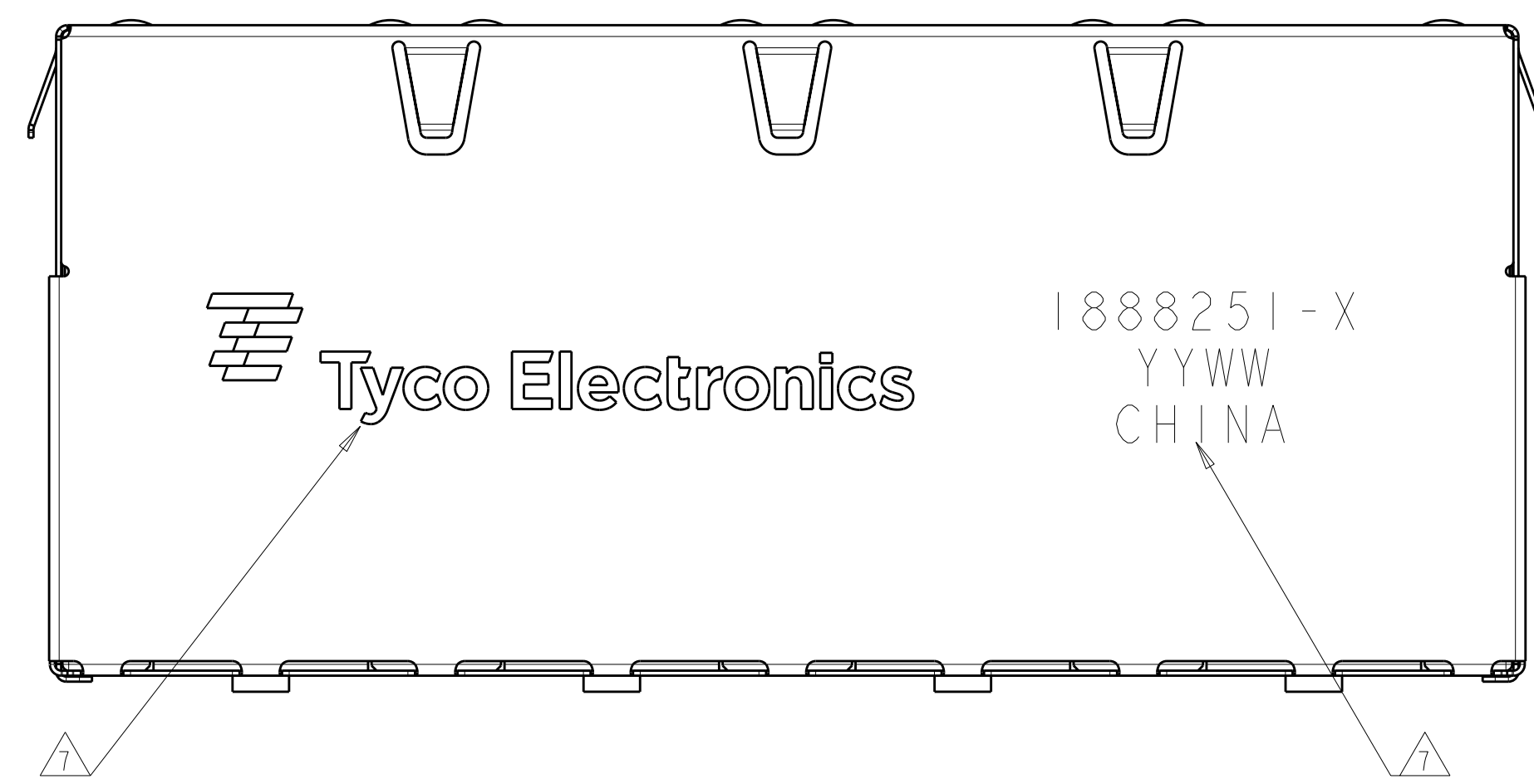
LOC	DIST	REVISIONS				
AA	00	P. LTR	DESCRIPTION	DATE	DWN	APVD
		B6	REVISED PER ECO-11-005033	18MAR2011	RK	HMR



VIEW SHOWN ASSEMBLED TO PCB ONLY

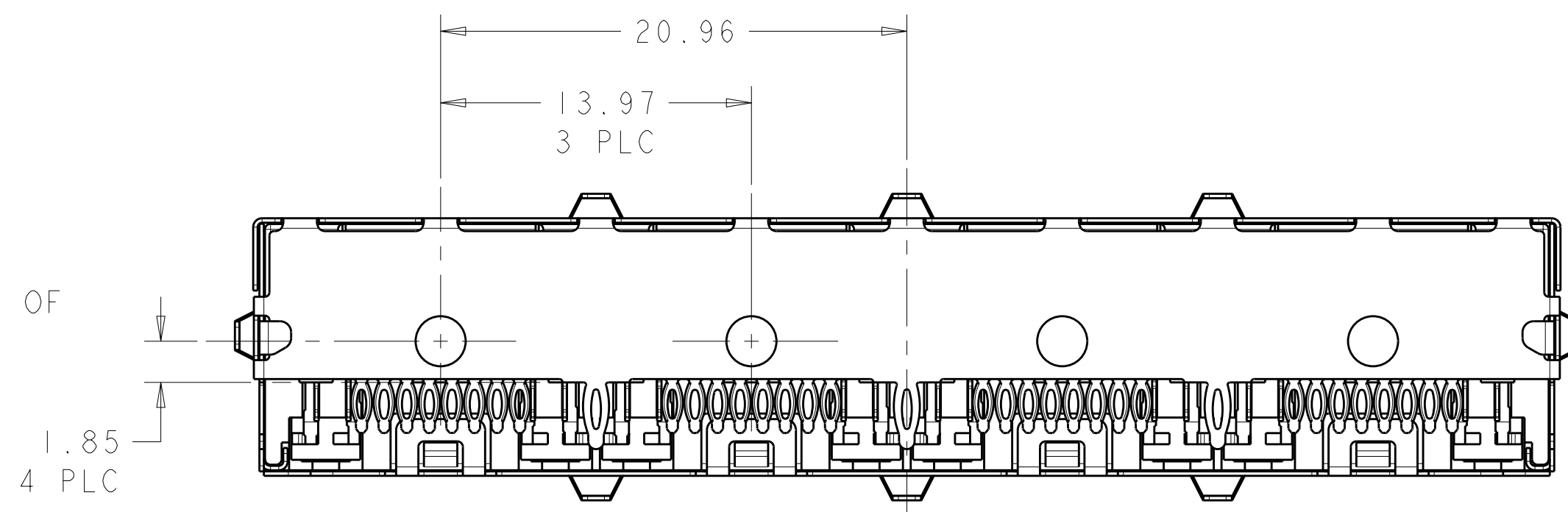


DETAIL G SCALE 8:1



- MATERIALS:
 HOUSING: BLACK PBT, 94V-0.
 OVERMOLDED INSERT: BLACK LCP, 94V-0.
 SHIELD: COPPER ALLOY WITH 0.76µm MIN NICKEL PLATE
 CONTACTS: PHOSPHOR BRONZE WITH 1.27µm MIN GOLD AT MATING INTERFACE OVER 1.27µm MIN NICKEL UNDERPLATE.
- PERFORMANCE:
 INSERTION LOSS: 0.4dB @ 100 MHz.
 RETURN LOSS: 12.0dB @ 100 MHz.
 CROSSTALK ATTENUATION: -43dB MINIMUM @ 100MHz
- LED'S COMPLIANT WITH IEC60825-1 SAFETY OF LASER PRODUCTS WHEN OPERATED AT CURRENT OF 20mA.
- ALL DIMENSIONS NOMINAL.
- RECOMMENDED MOTHERBOARD PCB THICKNESS: 1.60±0.16.

- Ⓜ RJ45 PORT CONFORMS TO FCC RULES AND REGULATIONS PART 68 SUB-PART F.
- Ⓜ TE LOGO, TE CONNECTIVITY PART NUMBER, DATE CODE AND COUNTRY OF ORIGIN TO BE MARKED IN APPROXIMATE LOCATION SHOWN.
- Ⓜ THIS DIMENSION MEETS THE ADVANCED MEZZANINE CARD (AMC) SPECIFICATION.



LED #1	LED #2	PART NUMBER
GREEN	GREEN	1888251-4
-	-	1888251-3
GRN/YEL	GRN/YEL	1888251-2
GREEN	YELLOW	1888251-1

THIS DRAWING IS A CONTROLLED DOCUMENT.

DIMENSIONS:	TOLERANCES UNLESS OTHERWISE SPECIFIED:	DWN: M.E.S./L.A. MAY '08	15FEB2008
mm	9 PLC ±	CHK: J. WESTMAN	15FEB2008
	1 PLC ±0.13	APVD: S. FLICKINGER	15FEB2008
	5 PLC ±	PRODUCT SPEC	
	4 PLC ±	APPLICATION SPEC	
	ANGLES ±°	114-13179	
MATERIAL: SEE NOTE 1	FINISH: SEE NOTE 1	WEIGHT:	
CUSTOMER DRAWING		SCALE: 1:1	SHEET 1 OF 3

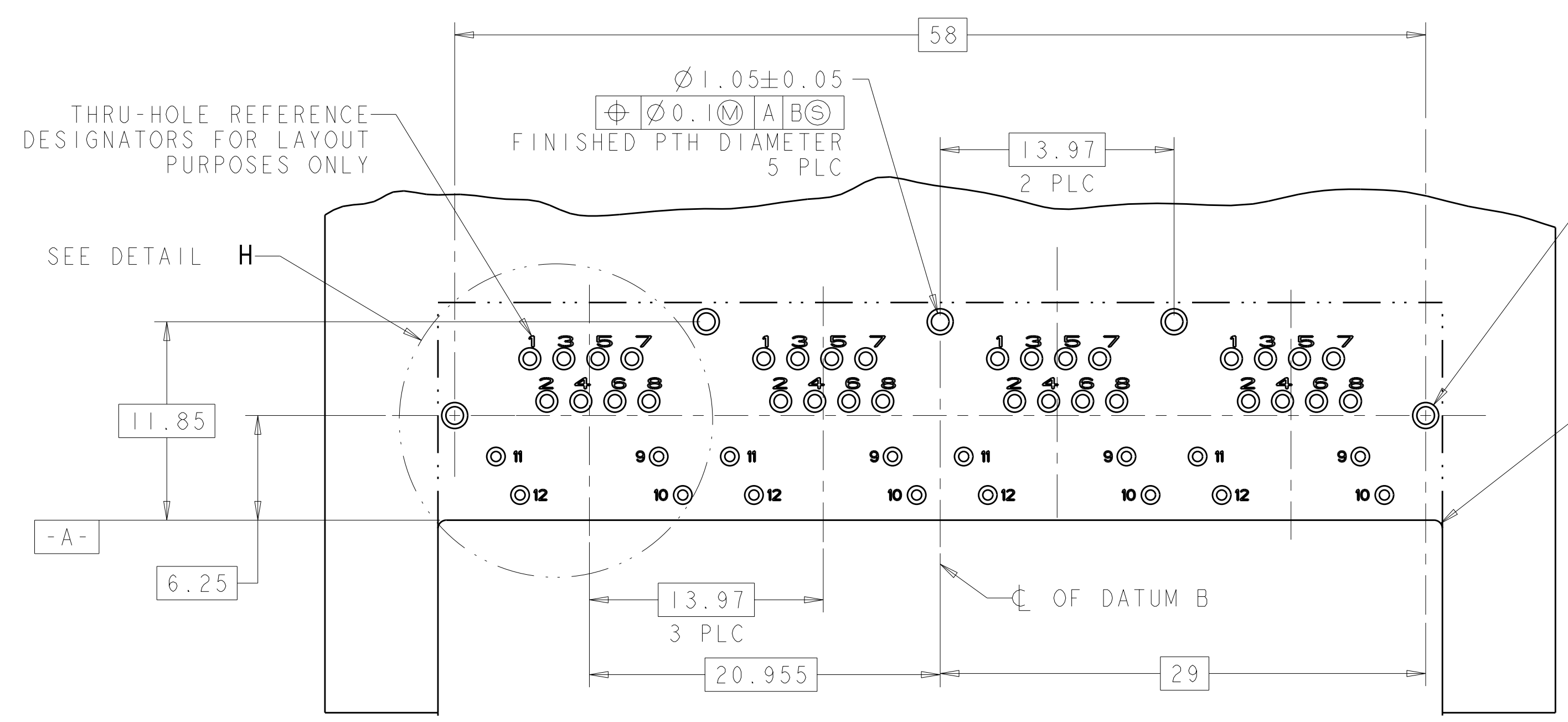
NAME: CONNECTOR ASSEMBLY, LOW PROFILE, PRESS FIT, MODULAR JACK, 1X4, RJ45

SIZE: A100779 C=1888251

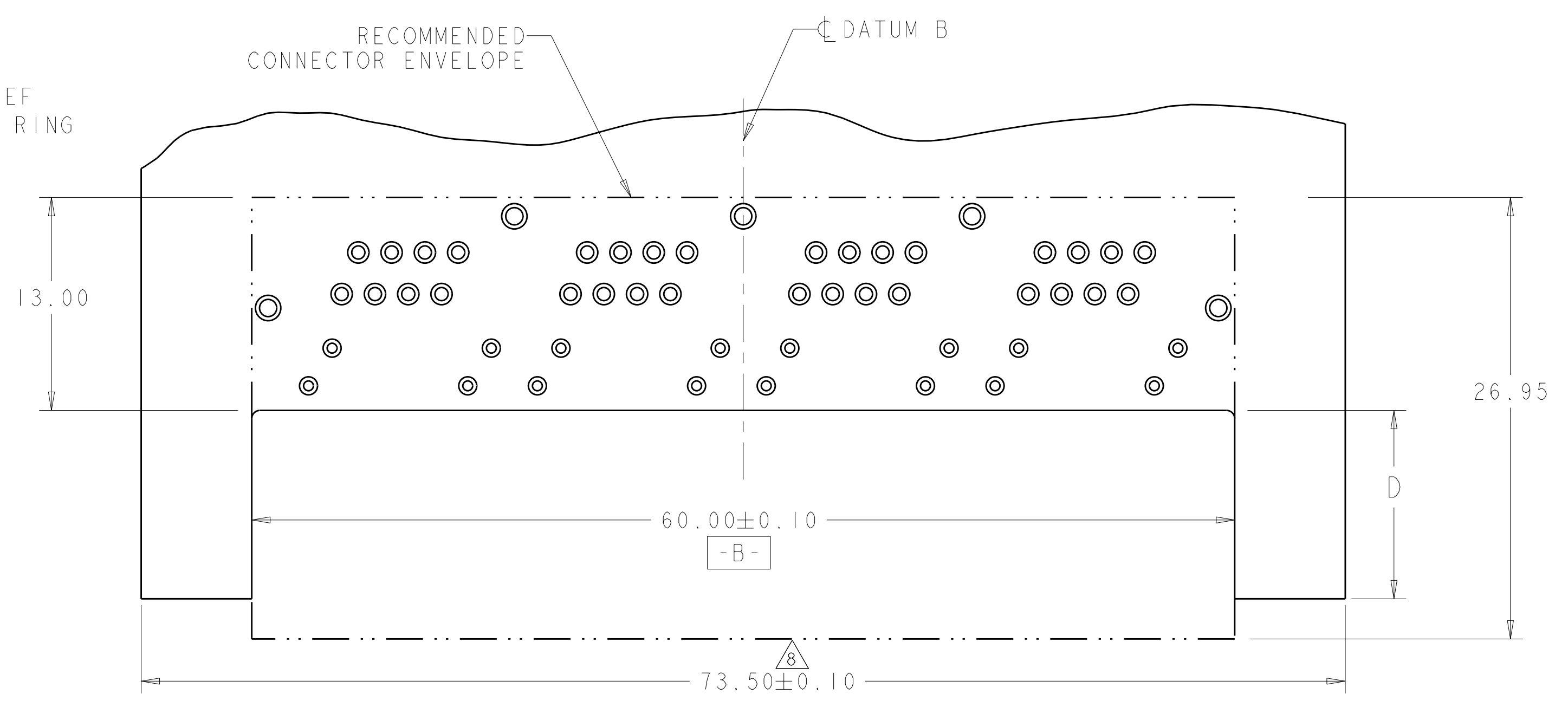
RESTRICTED TO: -

REV: B6

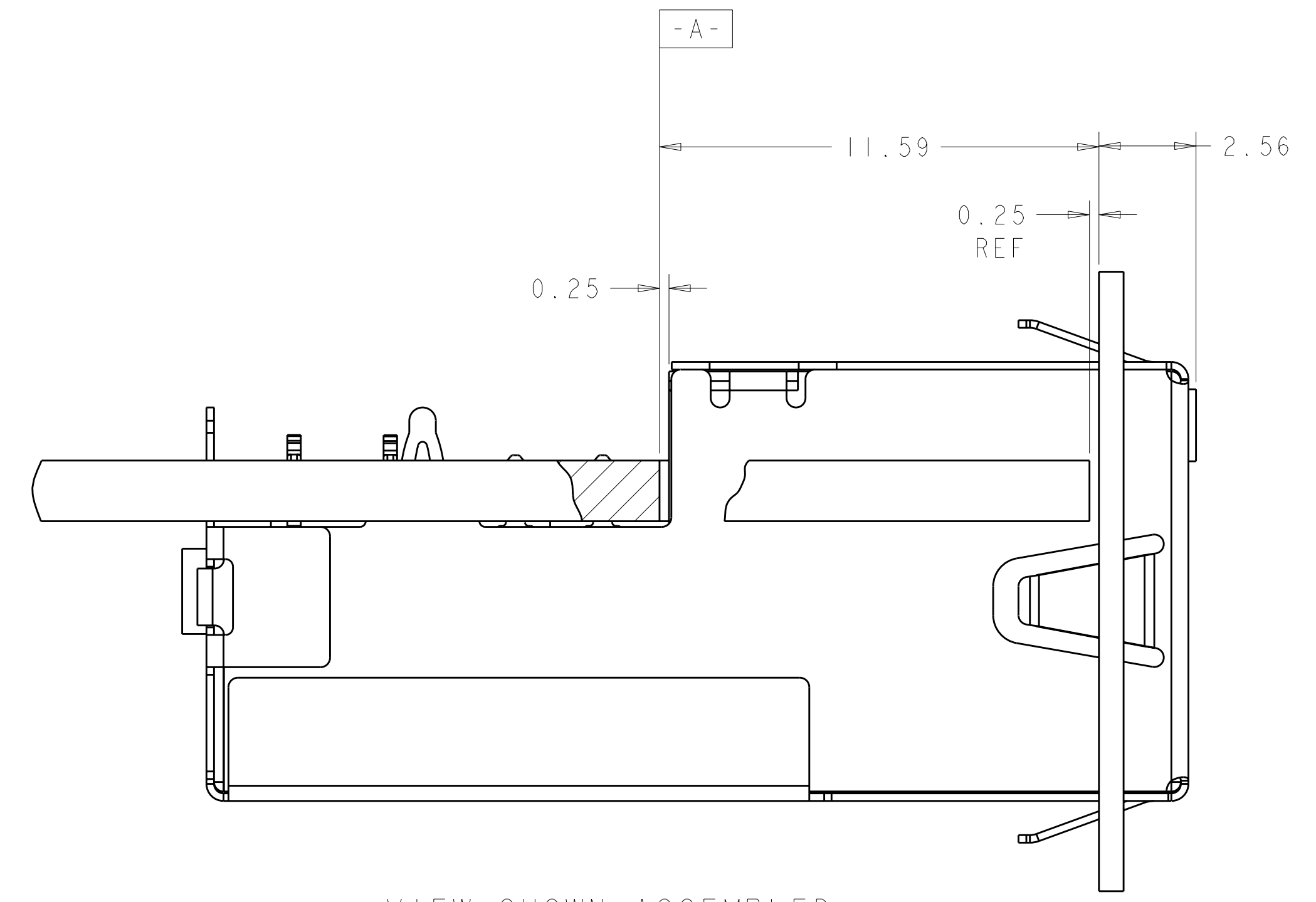
LOC	DIST	REV	DATE	APPD	REVISED
AA	00				
					SEE SHEET 1



PCB SIDE 2

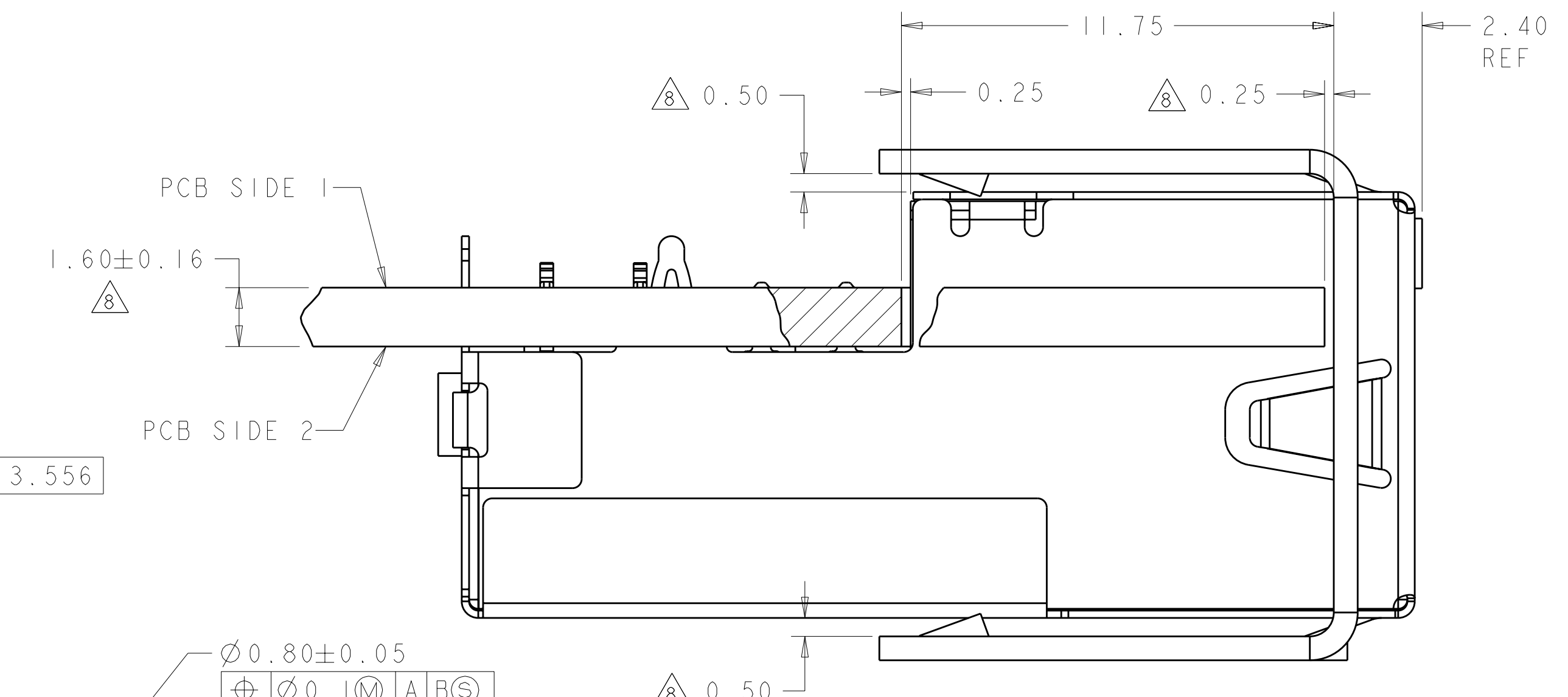


PCB SIDE 1

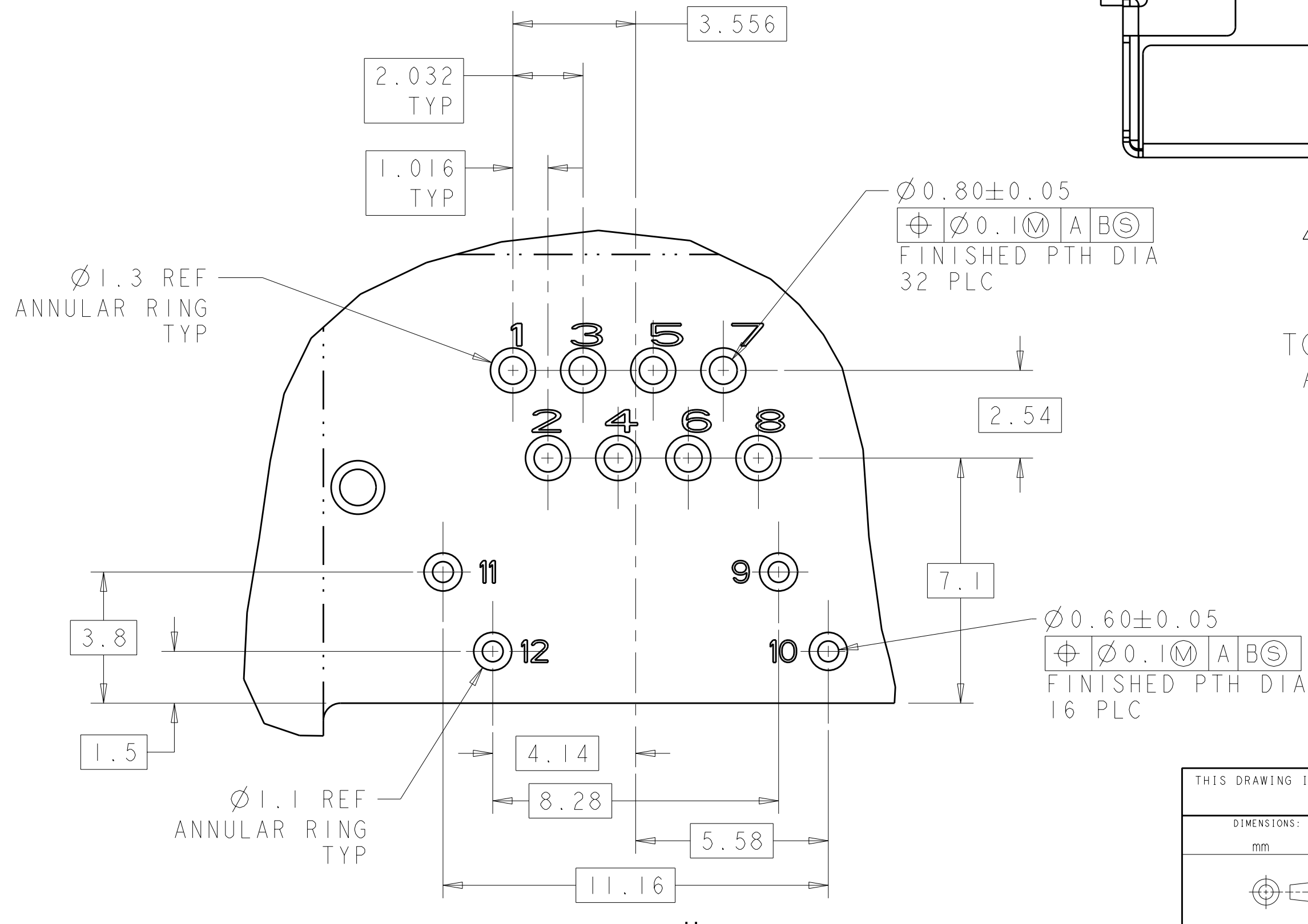


VIEW SHOWN ASSEMBLED TO PCB AND RECOMMENDED STANDARD FACE PLATE SCALE 8:1

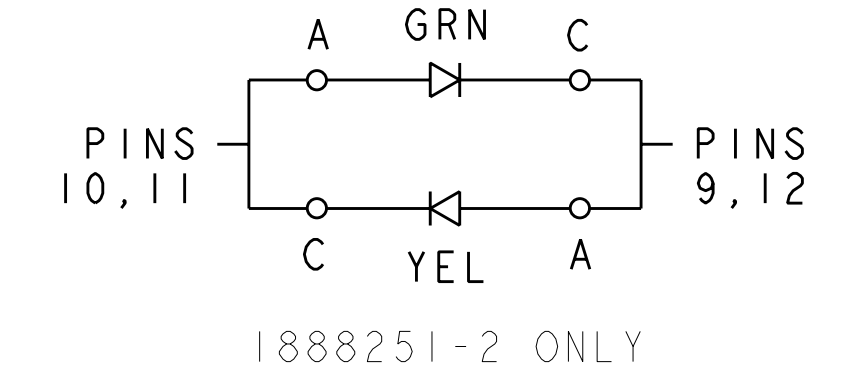
STANDARD FACE PLATE	11.34
AMC MODULE FACE PLATE	11.50
PCB CUTOUT	D



VIEW SHOWN ASSEMBLED TO PCB AND RECOMMENDED AMC MODULE FACE PLATE SCALE 8:1



DETAIL H SCALE 8:1



	PIN #	1888251-1	1888251-2	1888251-3	1888251-4
LED 1	9	CATHODE (-)	ANODE (YEL), CATHODE (GRN)	-	CATHODE (-)
	10	ANODE (+)	ANODE (GRN), CATHODE (YEL)	-	ANODE (+)
LED 2	11	ANODE (+)	ANODE (GRN), CATHODE (YEL)	-	ANODE (+)
	12	CATHODE (-)	ANODE (YEL), CATHODE (GRN)	-	CATHODE (-)

THIS DRAWING IS A CONTROLLED DOCUMENT.

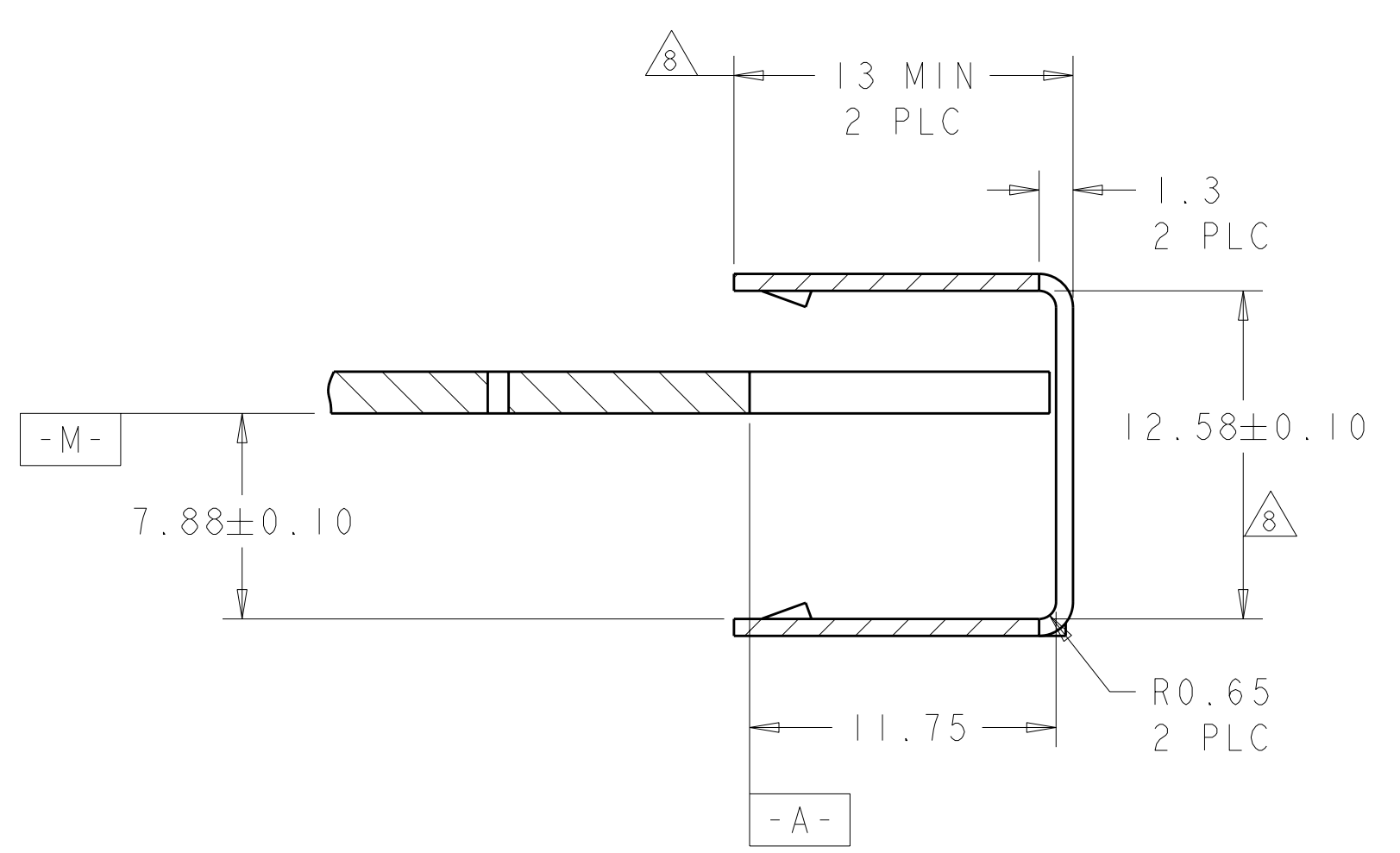
DATE: 15FEB2008
 DWG: M.E.S./L.A. MAYOR
 CHK: J.WESTMAN
 APVD: S.FLICKINGER
 PRODUCT SPEC: 15FEB2008
 108-2274
 APPLICATION SPEC: 114-13179
 WEIGHT: -
 CUSTOMER DRAWING

STE TE Connectivity

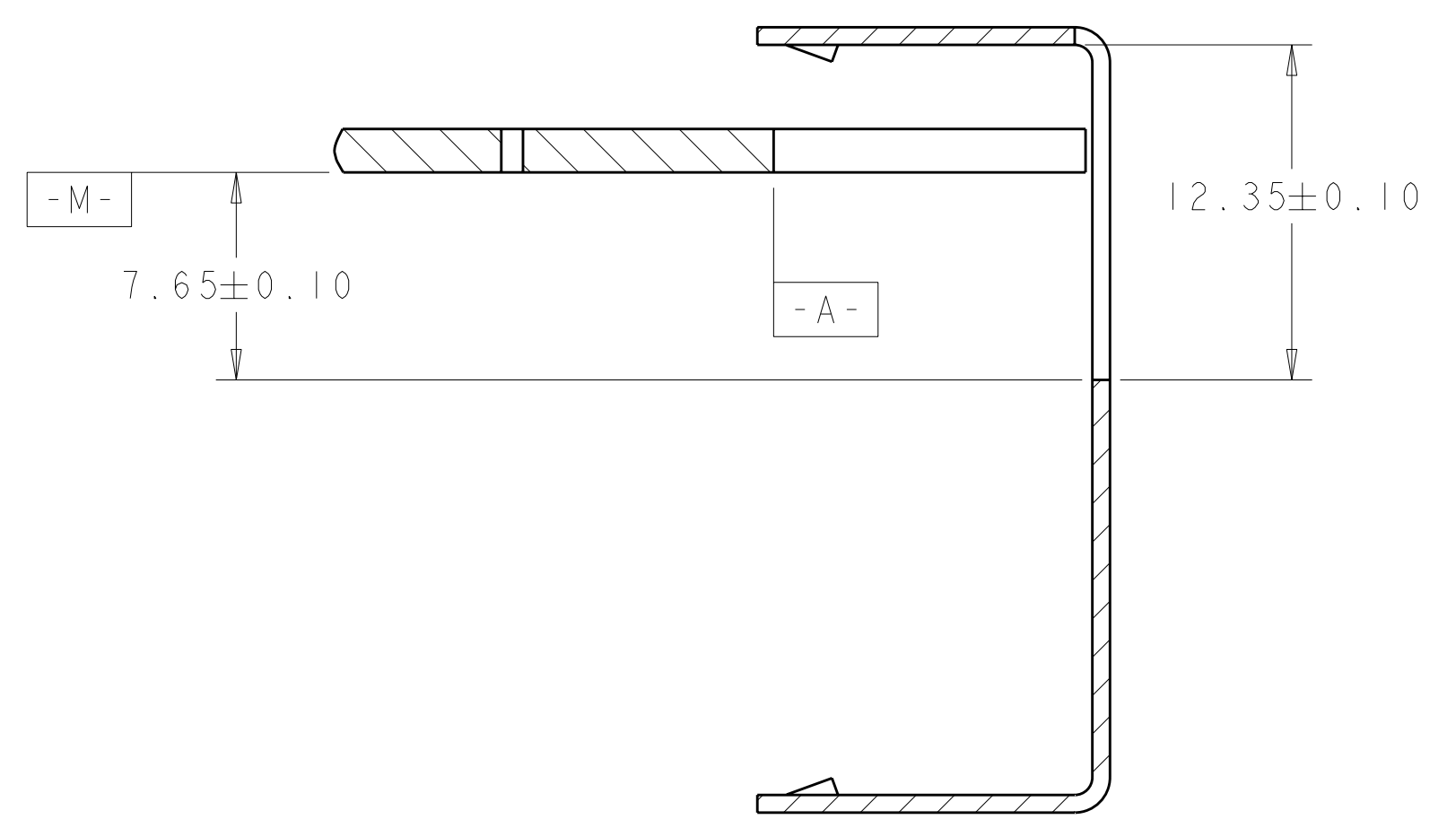
CONNECTOR ASSEMBLY, LOW PROFILE, PRESS FIT, MODULAR JACK, 1X4, RJ45

SIZE: A100779 C=1888251
 SCALE: 4:1 SHEET 2 OF 3 REV: B6

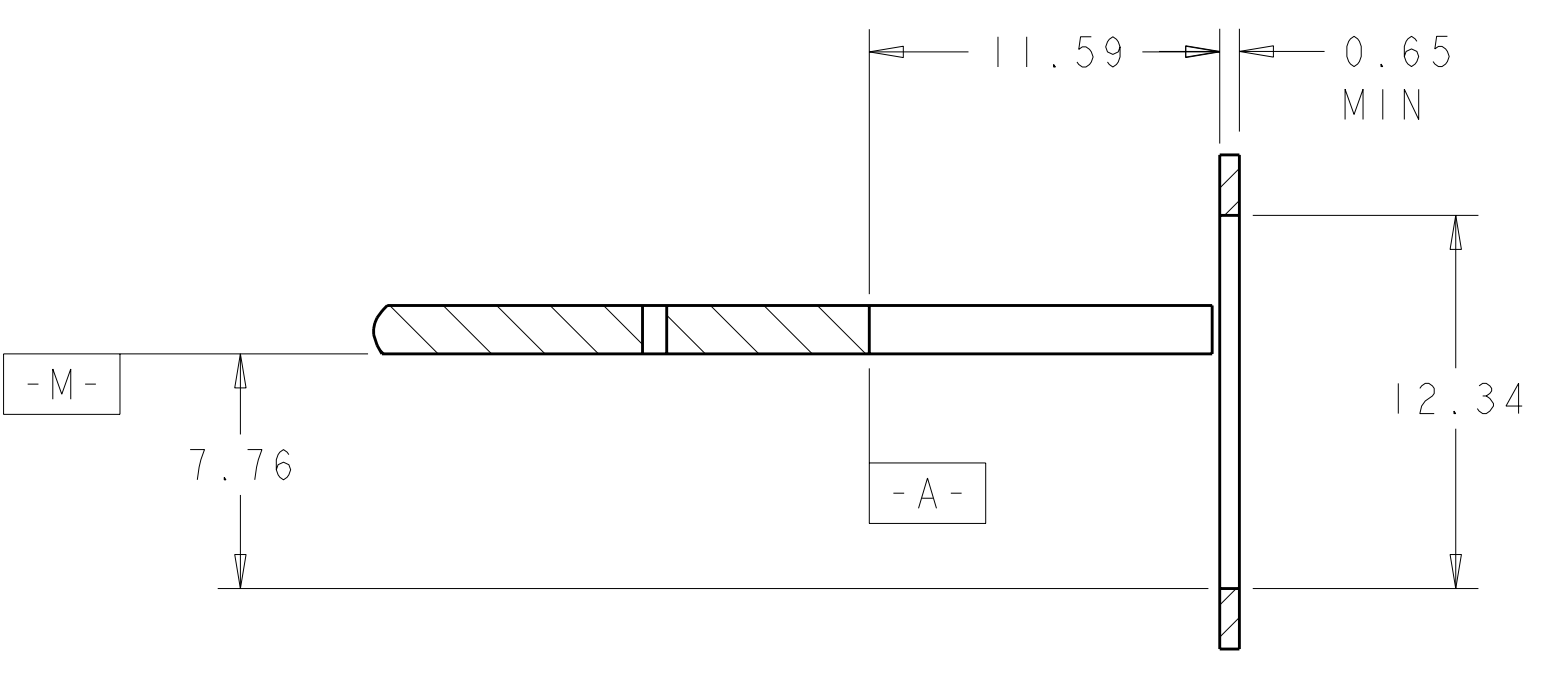
LOC	DIST	REV	DATE	BY	APPD
AA	00				
REVISIONS					
		SEE SHEET 1			



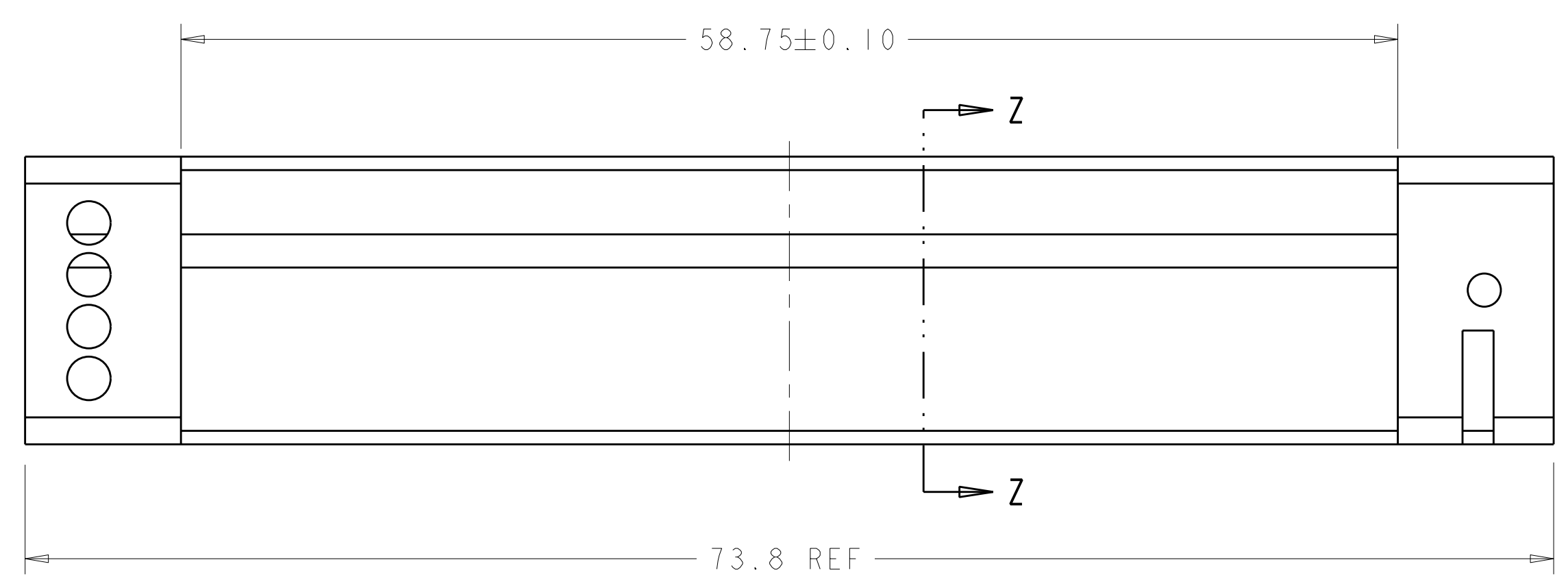
SECTION Z-Z



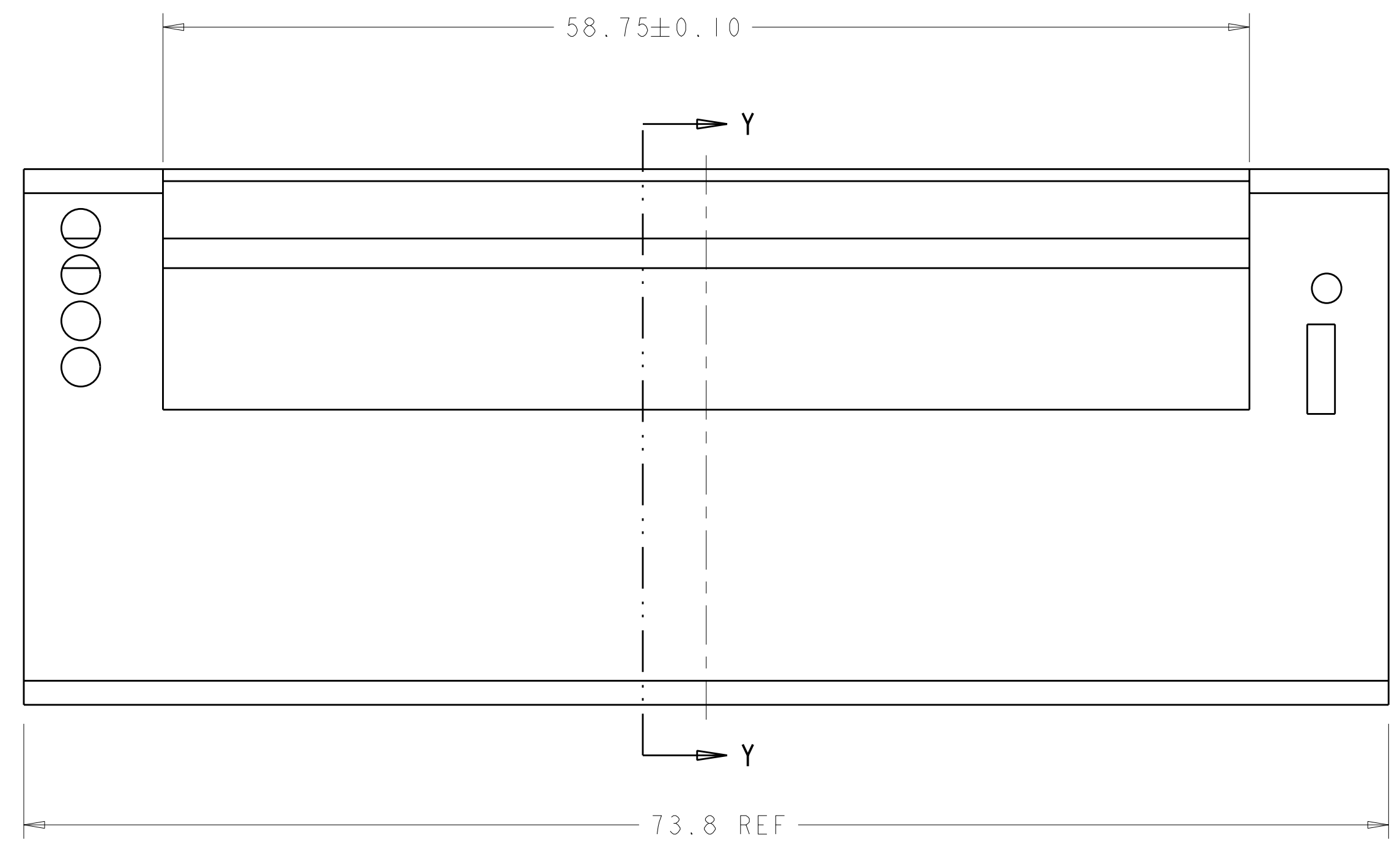
SECTION Y-Y



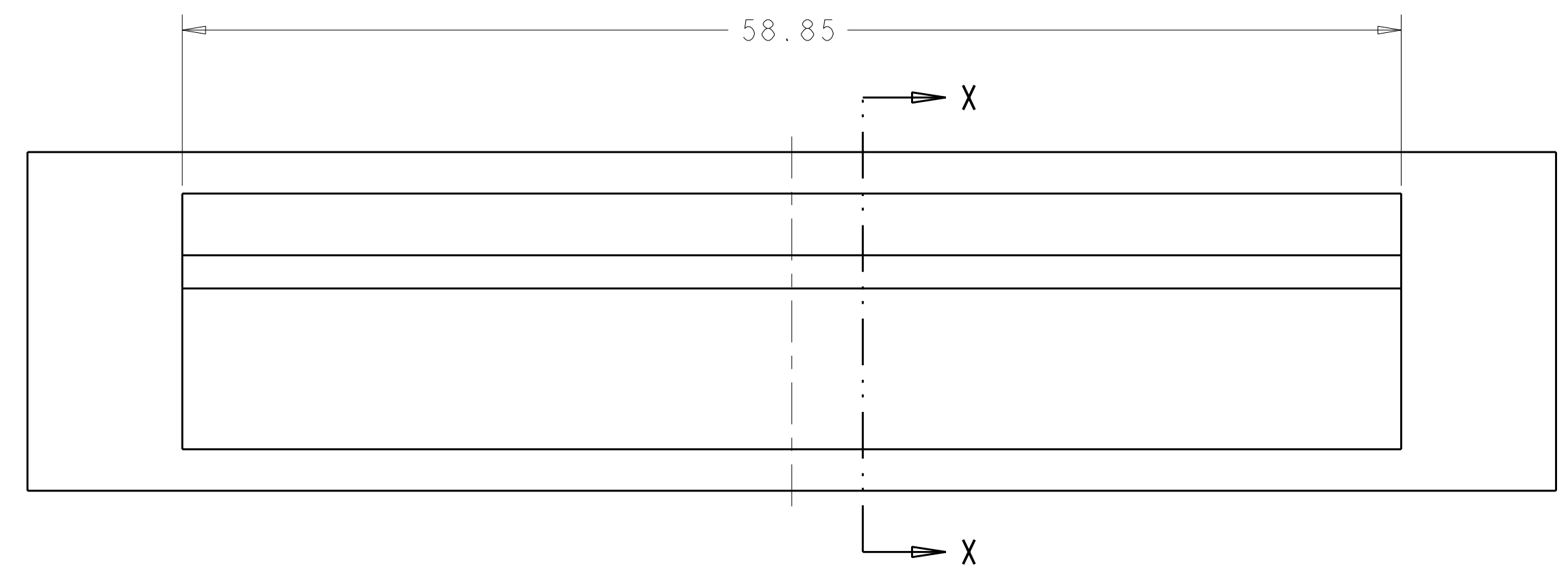
SECTION X-X



AMC SINGLE WIDTH, HALF HEIGHT MODULE FACE PLATE



AMC SINGLE WIDTH, FULL HEIGHT MODULE FACE PLATE



STANDARD FACE PLATE

THIS DRAWING IS A CONTROLLED DOCUMENT.		OWN: M.E.S./L.A. MAY 08	15FEB2008	TE Connectivity NAME: CONNECTOR ASSEMBLY, LOW PROFILE, PRESS FIT, MODULAR JACK, 1X4, RJ45
DIMENSIONS: mm		CHK: J.WESTMAN	15FEB2008	
TOLERANCES UNLESS OTHERWISE SPECIFIED:		APVD: S.FLICKINGER	15FEB2008	PRODUCT SPEC
0 PLC ± 1 PLC ± 2 PLC ±0.13 3 PLC ± 4 PLC ± ANGLES ±°		MATERIAL: SEE NOTE 1 FINISH: SEE NOTE 1		APPLICATION SPEC
MATERIAL: SEE NOTE 1		FINISH: SEE NOTE 1		SIZE: 114-13179
MATERIAL: SEE NOTE 1		FINISH: SEE NOTE 1		WEIGHT: -
MATERIAL: SEE NOTE 1		FINISH: SEE NOTE 1		RESTRICTED TO: -
MATERIAL: SEE NOTE 1		FINISH: SEE NOTE 1		SCALE: 4:1 SHEET 3 OF 3 REV: B6
MATERIAL: SEE NOTE 1		FINISH: SEE NOTE 1		CUSTOMER DRAWING