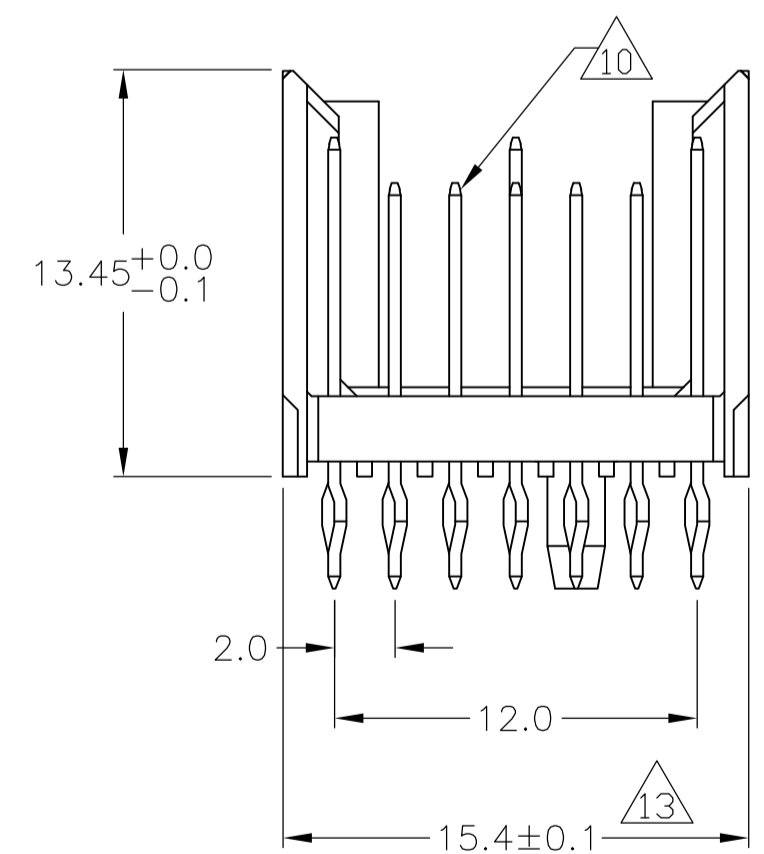
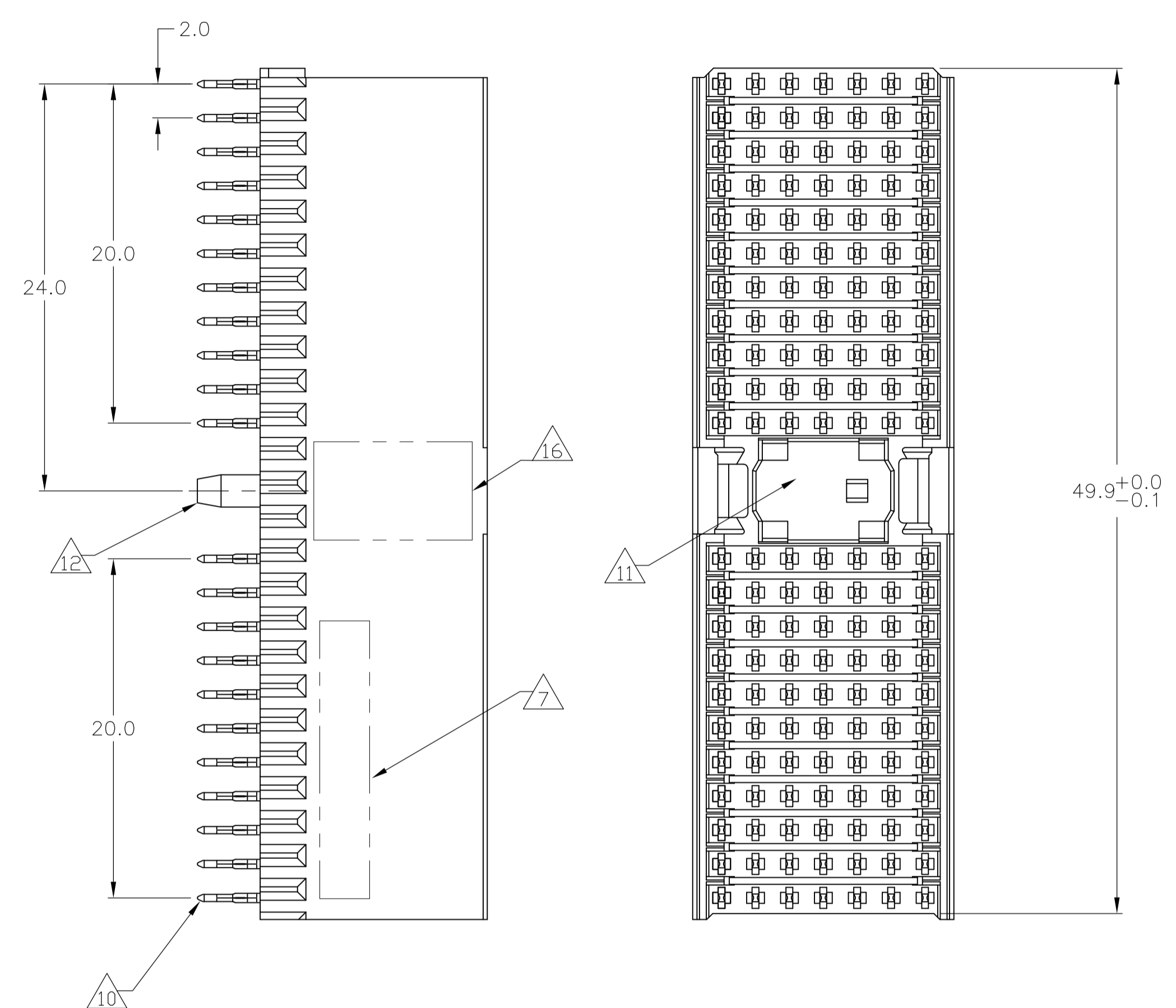
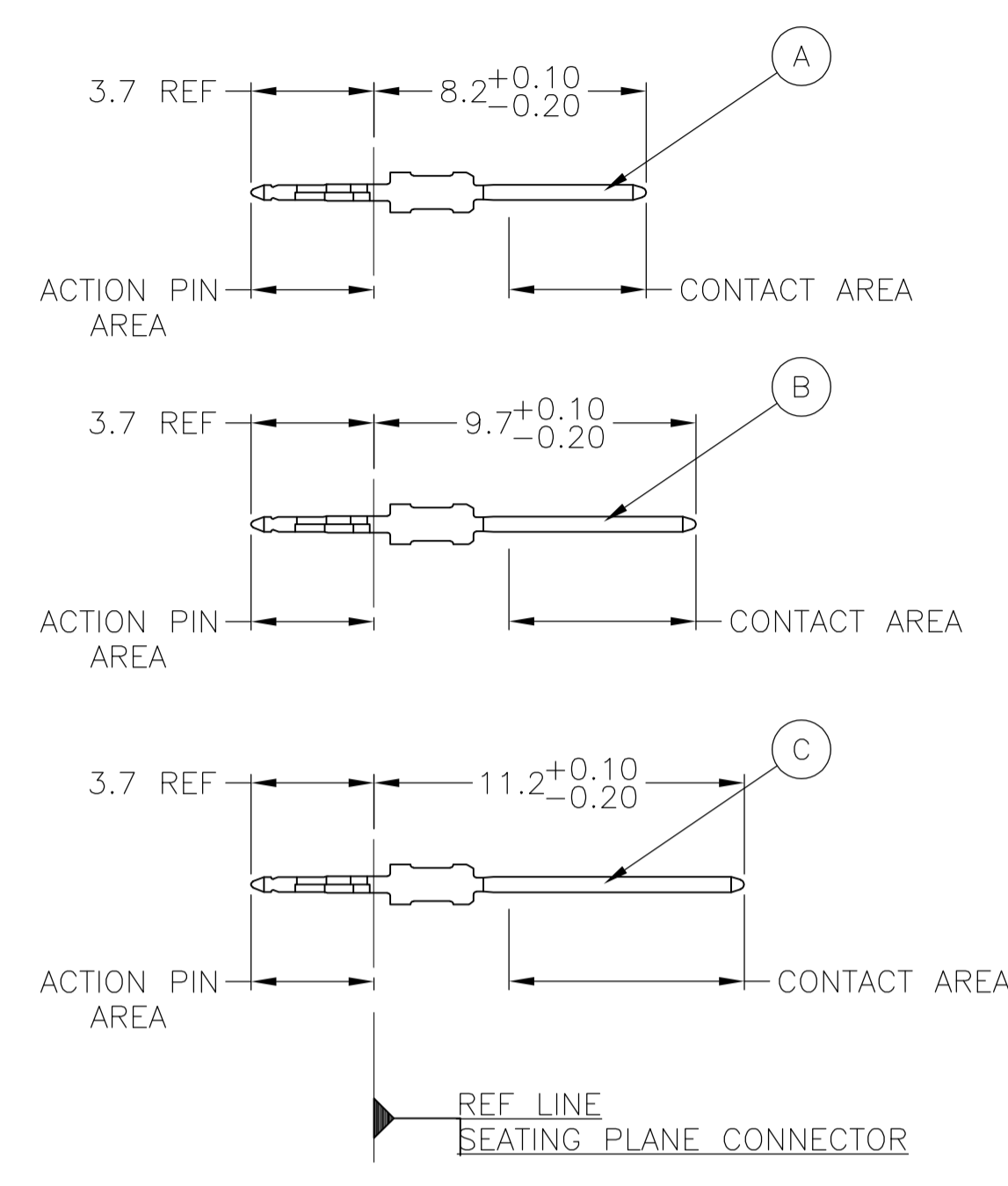


CONNECTOR ASSEMBLY EXAMPLARY LOADED $\triangle 9$



CONTACT DIMENSIONS SCALE 5:1

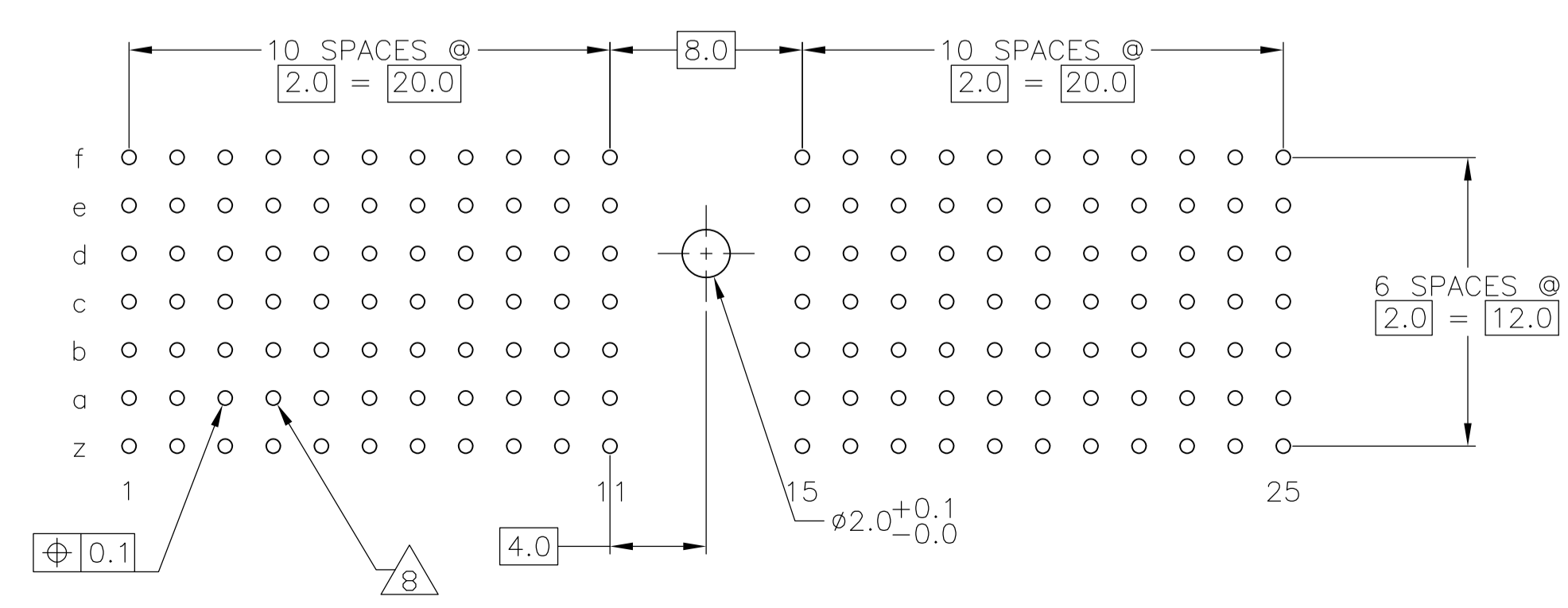


CONTACT LAYOUT

| | | | | | | | |
|----------------------|---|---|---|---|---|---|---|
| | z | a | b | c | d | e | f |
| 1 | C | B | B | B | B | B | C |
| 2 | C | B | B | B | B | B | C |
| 3 | C | B | B | B | B | B | C |
| 4 | C | B | B | B | B | B | C |
| 5 | C | B | B | B | B | B | C |
| 6 | C | B | B | B | B | B | C |
| 7 | C | B | B | B | B | B | C |
| 8 | C | B | B | B | B | B | C |
| 9 | C | B | B | B | B | B | C |
| 10 | C | B | B | C | B | B | C |
| 11 | C | B | B | B | A | B | C |
| MULTI PURPOSE CENTER | | | | | | | |
| 15 | C | B | B | B | B | B | C |
| 16 | C | B | B | B | B | B | C |
| 17 | C | B | B | B | B | B | C |
| 18 | C | B | B | B | B | B | C |
| 19 | C | B | B | B | B | B | C |
| 20 | C | B | B | B | B | B | C |
| 21 | C | B | B | B | B | B | C |
| 22 | C | B | B | B | B | B | C |
| 23 | C | B | B | B | B | B | C |
| 24 | C | B | B | B | B | B | C |
| 25 | C | B | B | B | B | B | C |

RECOMMENDED PCB-HOLE LAYOUT COMPONENT SIDE SHOWN

PLATED THRU HOLES PARAMETERS REFERENCE APPLICATION SPECIFICATION




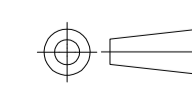
| | | | | |
|---------------|----------------|----------------|----------------|-------------|
| $\triangle 2$ | $\triangle 15$ | $\triangle 5$ | $\triangle 14$ | 3-188834-0 |
| $\triangle 2$ | $\triangle 6$ | $\triangle 14$ | | 1-188834-9 |
| $\triangle 2$ | $\triangle 5$ | $\triangle 14$ | | 188834-9 |
| $\triangle 2$ | $\triangle 4$ | | | 188834-4 |
| $\triangle 2$ | $\triangle 3$ | | | 188834-1 |
| FINISH | | | | PART NUMBER |

THIS DRAWING IS A CONTROLLED DOCUMENT.

| | | | |
|----------------|--|---------------------|--------------------------------------|
| DIMENSIONS: mm | TOLERANCES UNLESS OTHERWISE SPECIFIED: | DIN B CARBO 130EC05 | 130EC05 |
| ϕ | 0-PLC ± | CHK G SKIPPER | 130EC05 |
| \pm | 1-PLC ±0.1 | APVD G SKIPPER | 130EC05 |
| \pm | 2-PLC ± | PRODUCT SPEC | |
| \pm | 3-PLC ± | NAME | MALE ASSEMBLY, Z-PACK 2mm HM, TYPE A |
| \pm | 4-PLC ± | APPLICATION SPEC | 108-19082 |
| \pm | ANGLES ± | APPLICATION SPEC | 114-19029 |
| MATERIAL | FINISH SEE TABLE | WEIGHT | A1 00779 C=188834 |
| $\triangle 1$ | | CUSTOMER DRAWING | SCALE 4:1 SHEET 1 OF 2 REV E1 |

| LOC | | DIST | | REVISIONS | | | | |
|-----|-----|-------------|------|-----------|------|--|--|--|
| P | LTR | DESCRIPTION | DATE | DN | APVD | | | |
| - | - | SEE SHEET 1 | - | - | - | | | |

- 1 MATERIAL:
CONTACT: PHOSPHOR BRONZE.
HOUSING: GLASS-FILLED POLYESTER.
- 2 GENERAL PLATING SPECIFICATION: UNDERPLATING
(ENTIRE CONTACT): 1.27µm MIN NICKEL AND ACTION
PIN: 0.5µm MIN TIN LEAD.
FOR PLATING OF MATING SURFACES SEE APPLICABLE
SPECIFICATION REFERENCE FOR EACH DASH NUMBER.
- 3 CONFORMS TO ALL TESTING ACCORDING TO IEC 61076-4-101
PERFORMANCE LEVEL 2.
- 4 CONFORMS TO ALL TESTING ACCORDING TO IEC 61076-4-101
PERFORMANCE LEVEL 1.
- 5 CONNECTOR TESTED AND QUALIFIED AGAINST TELCORDIA GR-1217-CORE QUALITY LEVEL 3,
CENTRAL OFFICE APPLICATIONS.
- 6 CONNECTOR TESTED AND QUALIFIED AGAINST TELCORDIA GR-1217-CORE QUALITY LEVEL 3,
UNCONTROLLED ENVIROMENT APPLICATIONS.
- 7 CONNECTOR MARKED WITH PART NUMBER AND DATE CODE.
ADDITIONAL CHARACTERS OR MARKINGS, AS WELL AS THE LOCATION OF THE MARKINGS,
MAY BE ADDED FOR TRACEABILITY BASED UPON MANUFACTURERS DISCRETION.
- 8 PLATED-THROUGH HOLES AT 2x2mm SQUARE GRID
PATTERN DEFINED BY CONTACT LAYOUT.
- 9 FOR ACTUAL PIN LOADING SEE "CONTACT LAYOUT".
- 10 FOR ACTUAL PIN DIMENSIONS SEE "CONTACT DIMENSIONS".
- 11 AREA RESERVED FOR KEYING PART (BASIC P/N 100525)
- 12 POLARIZATION FEATURE.
- 13 TO BE MEASURED AT BOTTOM OF SHROUD.
- 14 CONNECTOR LUBRICATED WITH BELCORE APPROVED LUBRICANT,
TECHNICAL REFERENCE: TR-NWT-001217 ISSUE 1, SEP 1992.
- 15 0.76µm MIN GOLD PLATING MATING SURFACES.
- 16 VOID CORING PERMISSIBLE IN THIS AREA

| | | | | |
|---|--|---|---|---|
| THIS DRAWING IS A CONTROLLED DOCUMENT. | | DIN E CARBO 13DEC05 |  TE Connectivity | |
| | | CIK G SKIPPER 13DEC05 | | |
| DIMENSIONS: mm | | TOLERANCES UNLESS OTHERWISE SPECIFIED: 0-PLC ± 1-PLC ± 0.1 2-PLC ± 3-PLC ± 4-PLC ± ANGLES | | NAME MALE ASSEMBLY, Z-PACK 2mm HM, TYPE A |
|  | | APVD G SKIPPER 13DEC05 | | PRODUCT SPEC 108-19082 |
| MATERIAL SEE SHEET 1 | | FINISH SEE SHEET 1 | | APPLICATION SPEC 114-19029 |
| | | WEIGHT - | | SIZE A1 |
| | | CUSTOMER DRAWING | | CAGE CODE 00779 |
| | | DRAWING NO 188834 | | RESTRICTED TO - |
| | | SCALE 4:1 | | SHEET 2 OF 2 |
| | | REV E1 | | |