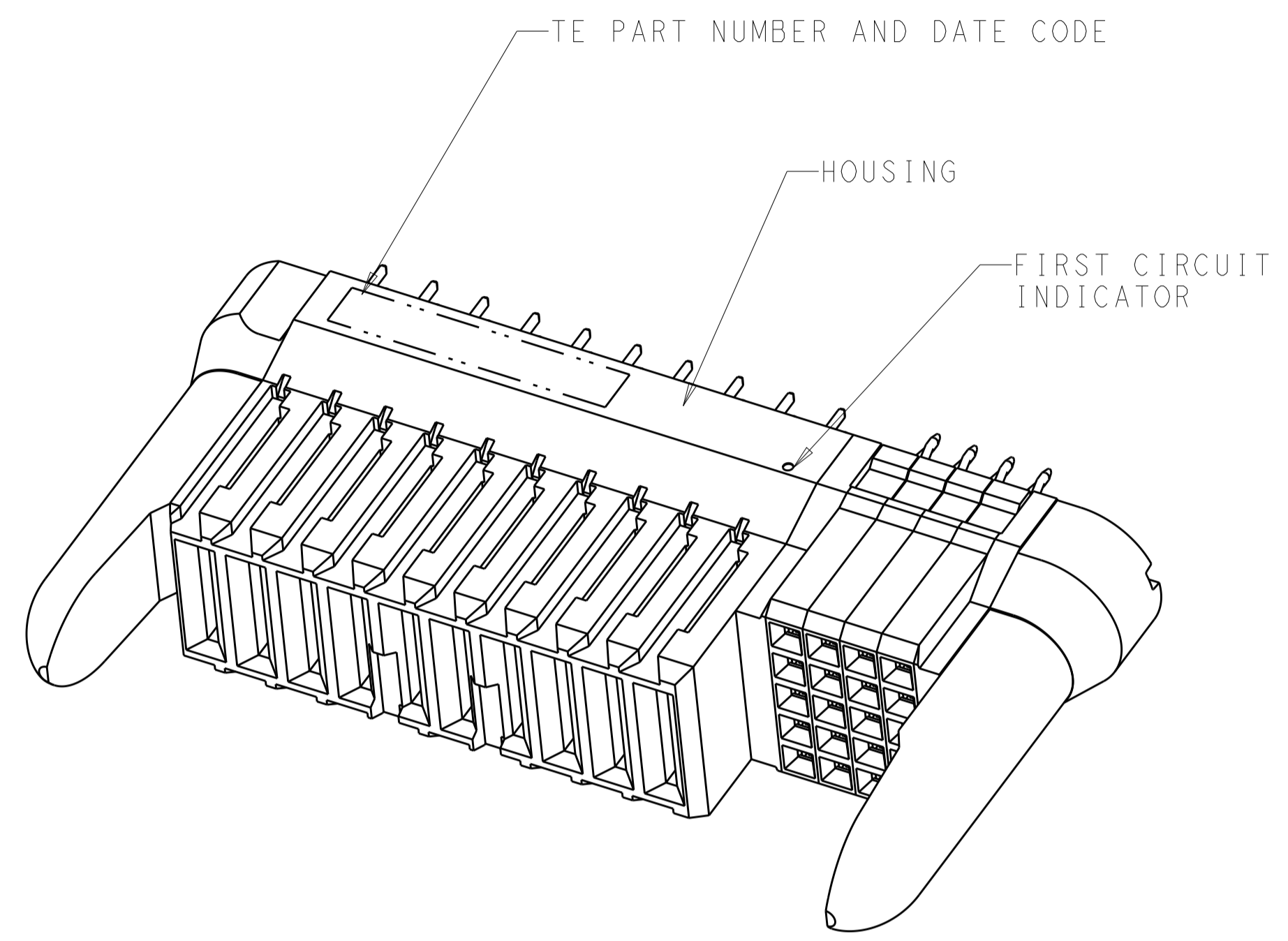
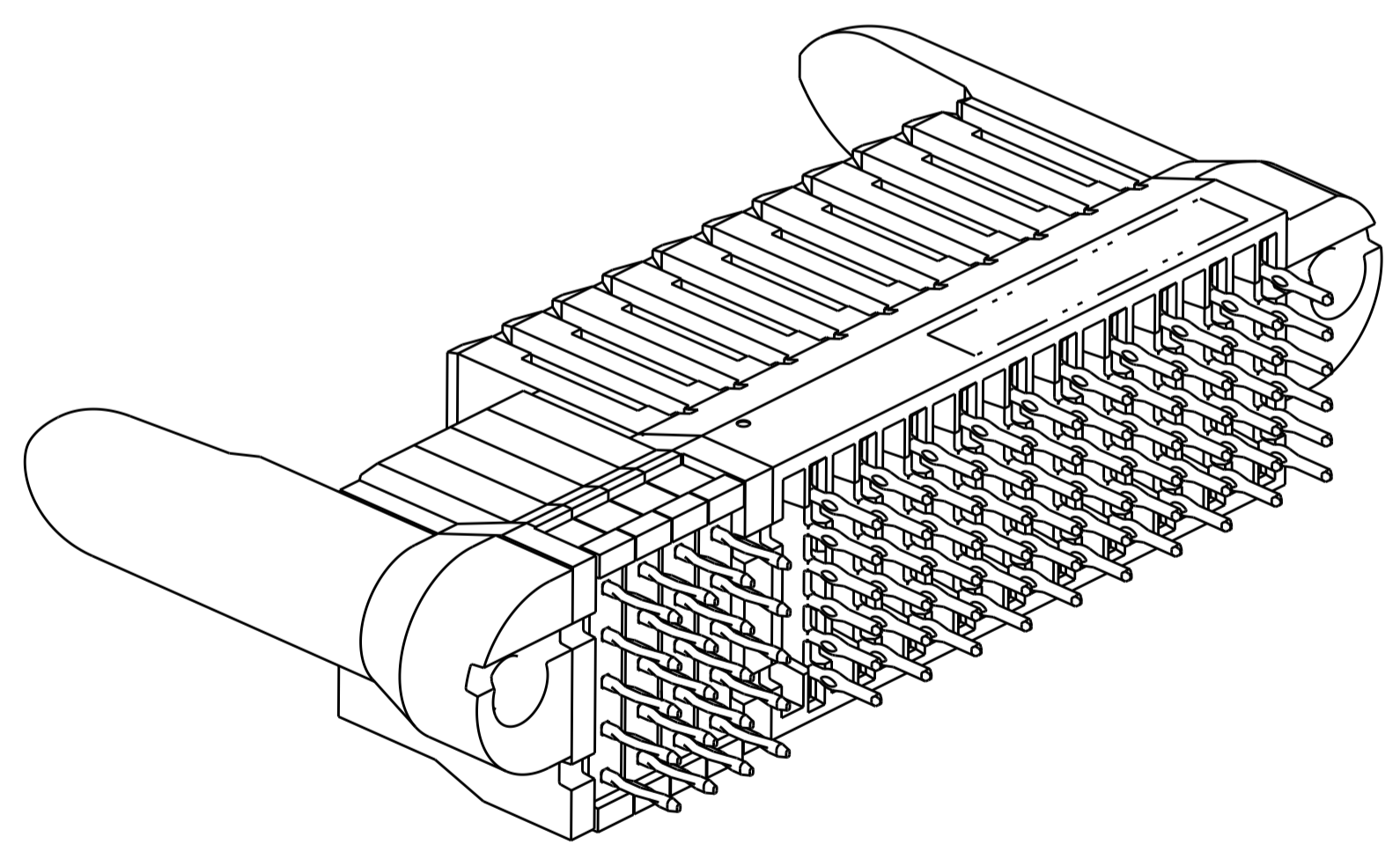


LOC		DIST		REVISIONS			
P	LTN	DESCRIPTION	DATE	OWN	APP'D		
A4		CLARIFY DIMENSION	12SEP2012	OL	SZ		
A6		ADD NEW PART	09AUG2013	OL	SZ		
A7		REVISE NOTE AT PCB LAYOUT	15OCT2013	OL	SZ		
A8		ADD NEW PART -11	18NOV2013	OL	SZ		



- HOUSING: GLASS FILLED LIQUID CRYSTAL POLYMER, COLOR: BLACK, UL 94 V-O RATED  
 SIGNAL CONTACT: PHOSPHOR BRONZE  
 SIGNAL OVERMOLD: GLASS FILLED POLYESTER  
 POWER CONTACT: COPPER ALLOY
- SIGNAL CONTACT: 0.00127mm MIN NICKEL ALL OVER,  
 MATING AREA: 0.00076mm MIN GOLD OR 0.00008mm MIN GOLD OVER  
 0.00076mm MIN PALLADIUM-NICKEL,  
 TAIL AREA: 0.0005mm MIN MATTE TIN  
 POWER CONTACT: 0.00127mm MIN NICKEL ALL OVER,  
 MATING AREA: 0.00076mm MIN GOLD OR 0.00008mm MIN GOLD OVER  
 0.00076mm MIN PALLADIUM-NICKEL,  
 TAIL AREA: 0.0005mm MIN MATTE TIN
- CONTACT MATING AREA LUBRICATED WITH BELLCORE APPROVED LUBRICANT,  
 TECHNICAL REFERENCE: GR-1217-CORE, ISSUE 1, NOVEMBER 1995
- THIS CONNECTOR EMPLOYS UL RECOGNIZED Z-PACK 2mm HM SIGNAL CONTACTS
- DATUMS AND BASIC DIMENSIONS TO BE ESTABLISHED BY CUSTOMER
- SEE APPLICATION SPEC 114-13215 FOR PLATED THROUGH HOLE INFORMATION
- SEE CUSTOMER DRAWING 1926730 OR 1926732 FOR MATING CONNECTOR
- UNPLATED HOLES



DESIGN APPROVED THIS PRINT IS  
**PRELIMINARY**  
 TO FIRST PIECE APPROVAL  
 CONTACT PRODUCT ENGINEERING  
 BEFORE USING THIS PRINT

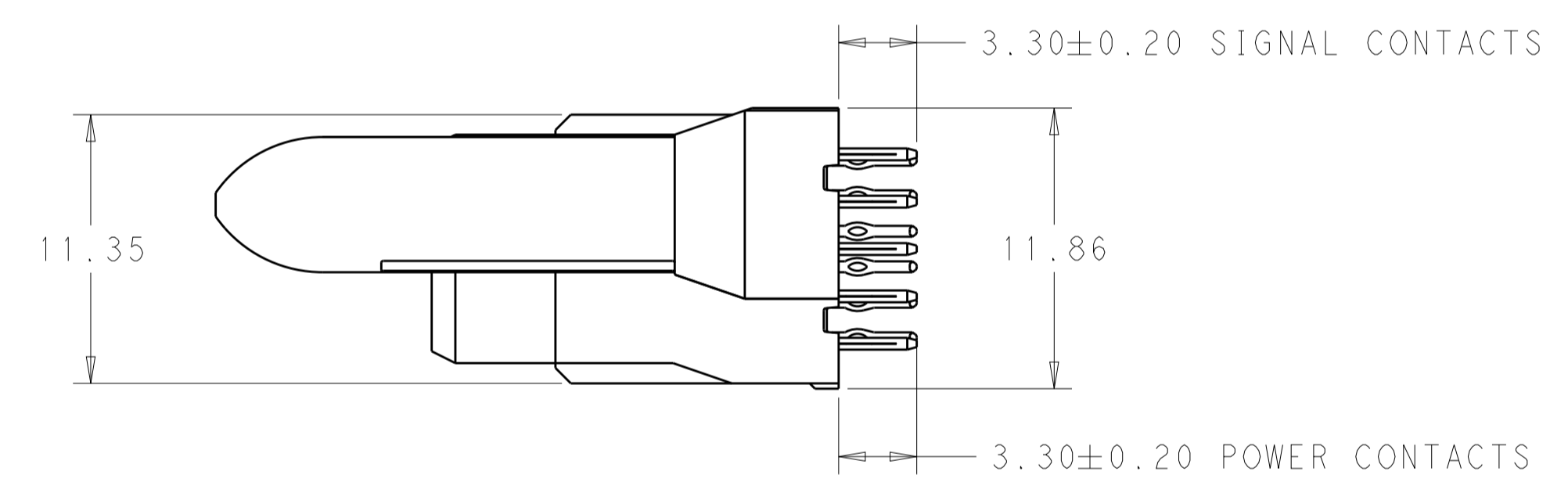
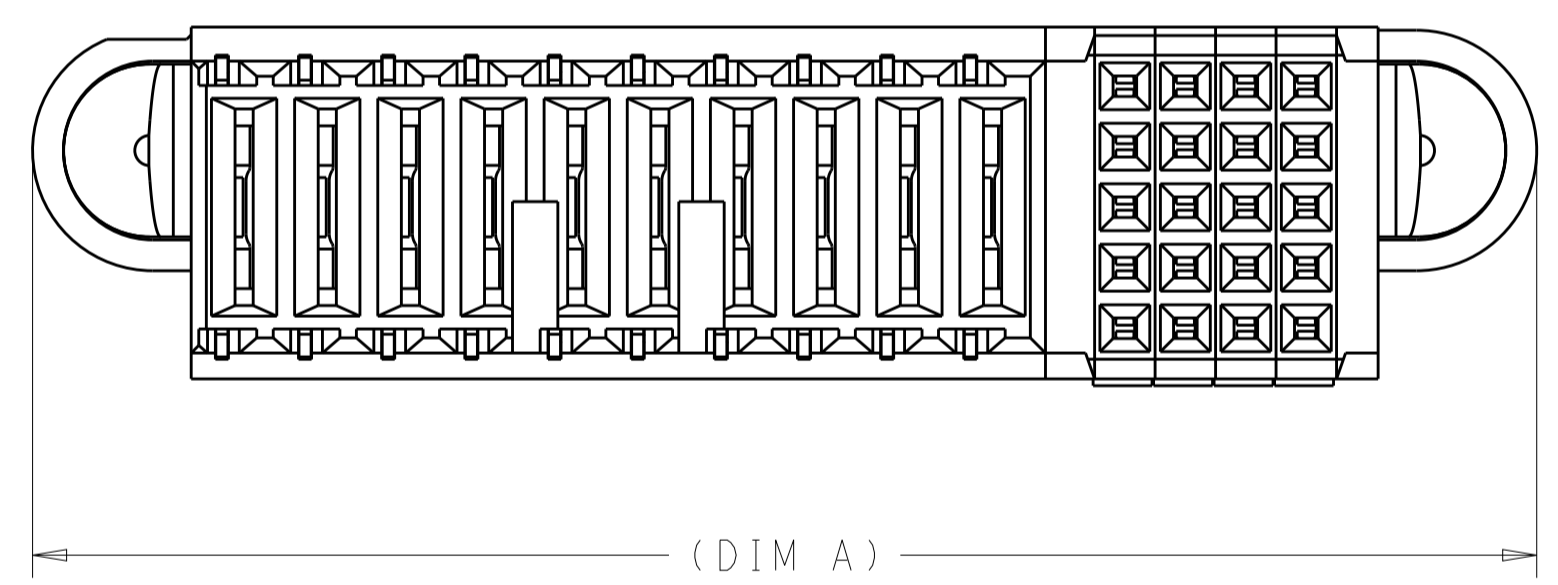
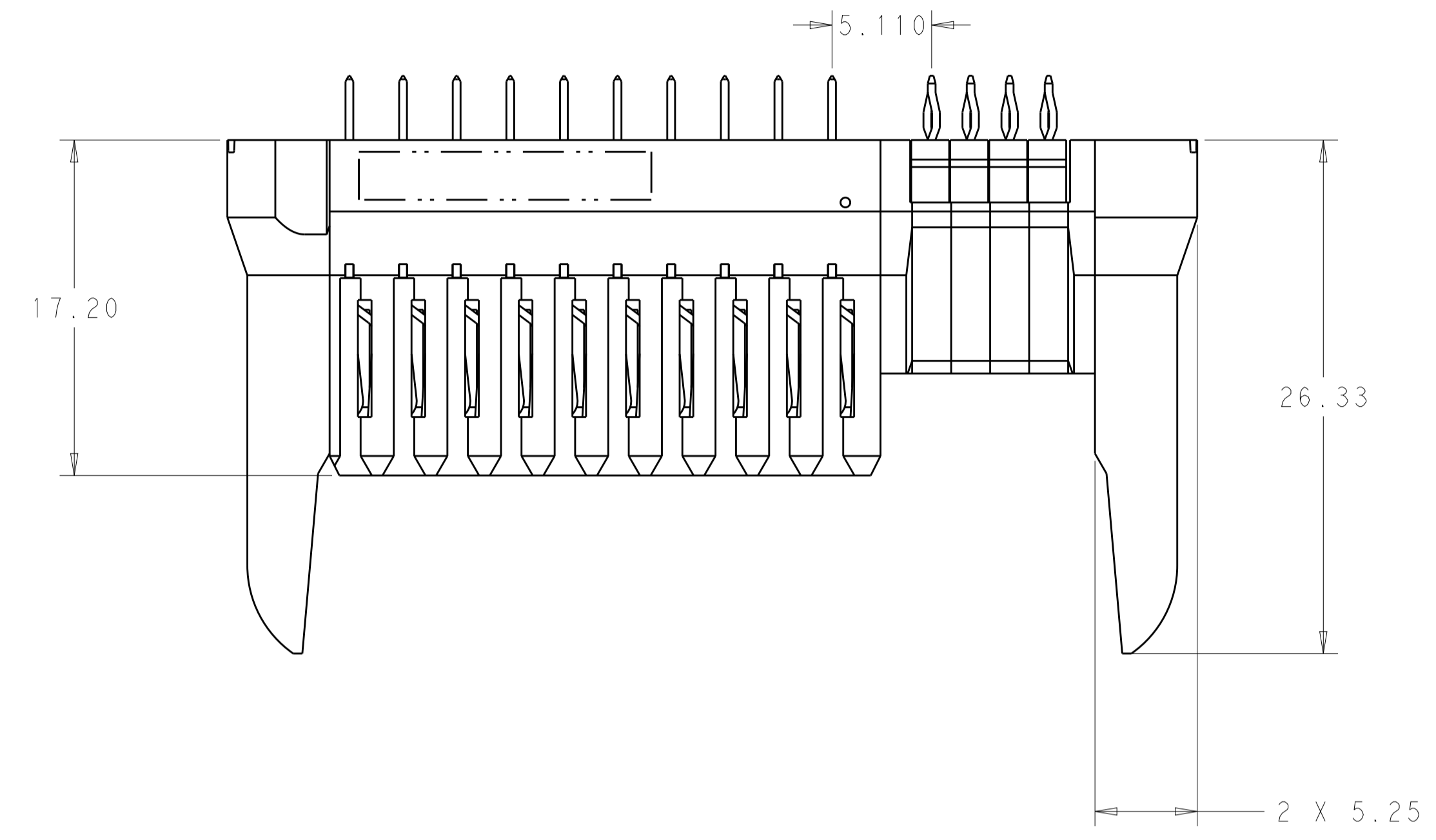
120	35	19	6	78.45	83.24	35S X 20P	1-1892787-1
108	35	17	6	72.95	77.74	35S X 18P	1-1892787-0
48	20	7	3	39.45	44.24	20S X 8P	1892787-9
60	25	9	4	46.95	51.74	25S X 10P	1892787-6
24	20	3	3	28.45	33.24	20S X 4P	1892787-4
24	10	3	1	24.45	29.24	10S X 4P	1892787-2
F PLC	E PLC	D SPACES	C SPACES	DIM B	DIM A	NO OF POSITIONS	PART NUMBER

THIS DRAWING IS A CONTROLLED DOCUMENT.

DIMENSIONS:	TOLERANCES UNLESS OTHERWISE SPECIFIED:	OWN	ORANDO LI	28OCT2011
mm	0 PLC ±	CHK	SUNY ZHAO	28OCT2011
	1 PLC ±0.13	APVD	SUNY ZHAO	28OCT2011
	2 PLC ±	NAME	RECEPTACLE ASSEMBLY, VERTICAL, PASSIVE GUIDE, SIGNAL/POWER, SCREW MOUNT OPTION, MINIPAK HDL	
	3 PLC ±	PRODUCT SPEC	108-2325	
	4 PLC ±	APPLICATION SPEC	114-13215	
	ANGLES ±	SIZE	CAGE CODE	DRAWING NO
MATERIAL	FINISH	WEIGHT	A100779C=1892787	
SEE NOTE 1	SEE NOTE 2	Customer Drawing	SCALE	2:1 SHEET 1 OF 3 REV A8

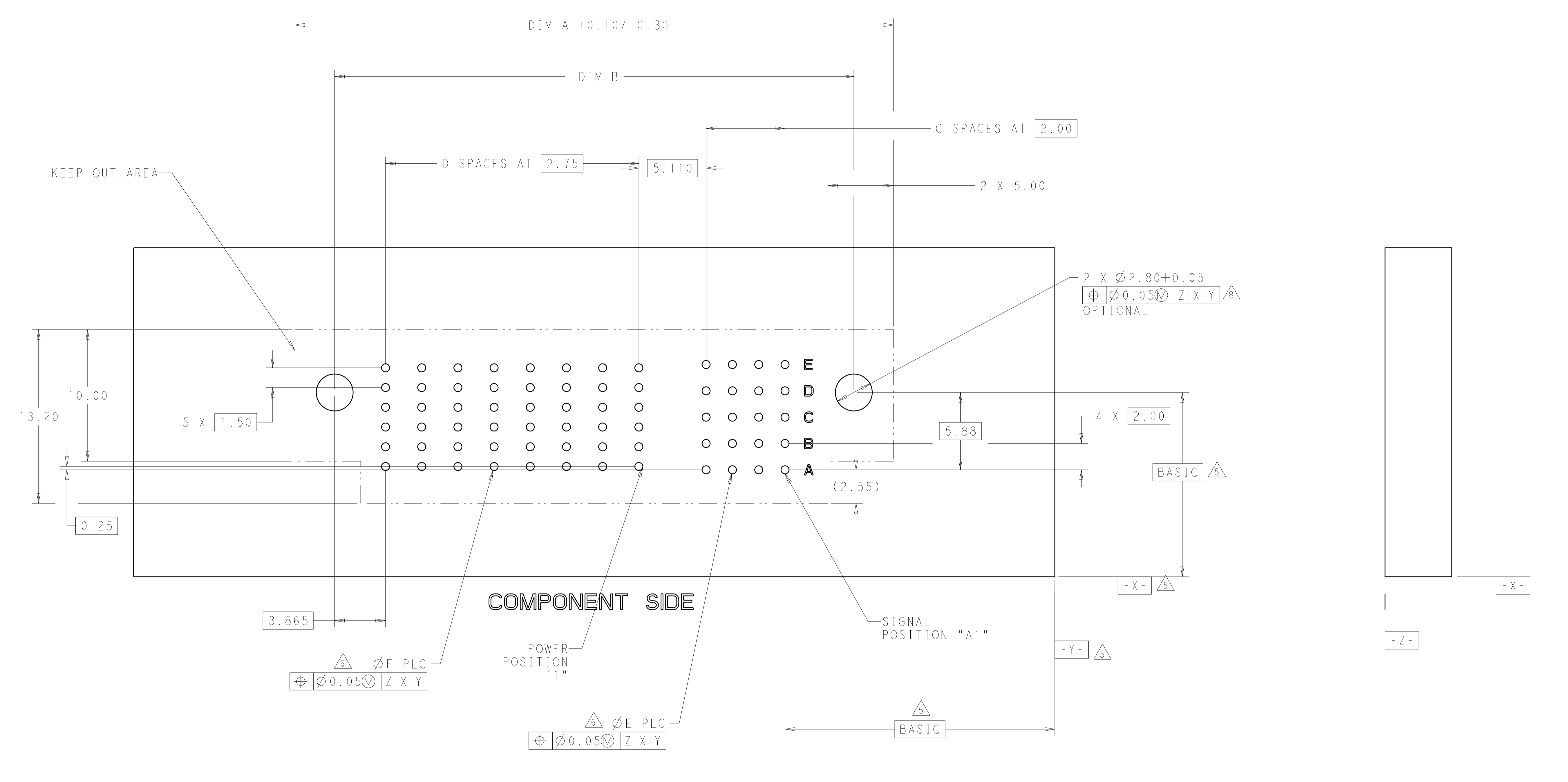
4805 (3/11)

LOC	DIST	REVISIONS			
P	LTN	DESCRIPTION	DATE	DMN	APVD
-	-	SEE SHEET 1	-	-	-



THIS DRAWING IS A CONTROLLED DOCUMENT.		DMN: ORANDO LL 28OCT2011	<b>TE</b> Connectivity
DIMENSIONS: mm		CHK: SUNY ZHAO 28OCT2011	
TOLERANCES UNLESS OTHERWISE SPECIFIED:		APVD: SUNY ZHAO 28OCT2011	NAME: RECEPTACLE ASSEMBLY, VERTICAL, PASSIVE GUIDE, SIGNAL/POWER, SCREW MOUNT OPTION, MINIPAK HDL
0 PLC ±		PRODUCT SPEC: 108-2325	
1 PLC ±0.13		APPLICATION SPEC: 114-13215	SIZE: A1
2 PLC ±		WEIGHT: -	CAGE CODE: 1892787
3 PLC ±		FINISH: SEE NOTE 2	RESTRICTED TO: -
4 PLC ±		MATERIAL: SEE NOTE 1	SCALE: 2:1
ANGLES ±		Customer Drawing	SHEET 2 OF 3
MATERIAL: SEE NOTE 1		Customer Drawing	REV: A8

LOC	DIST	REVISIONS					
		P.	LTN	DESCRIPTION	DATE	DMN	APVD
AA	00	-	-	SEE SHEET 1	-	-	-



**RECOMMENDED PRINTED CIRCUIT BOARD LAYOUT**  
 (COMPONENT SIDE OF BOARD SHOWN)

THIS DRAWING IS A CONTROLLED DOCUMENT.		DMN: ORANDO 11 28OCT2011	TE Connectivity
DIMENSIONS: mm		CHK: SUNY ZHAO 28OCT2011	
TOLERANCES UNLESS OTHERWISE SPECIFIED:		APVD: SUNY ZHAO 28OCT2011	NAME: RECEPTACLE ASSEMBLY, VERTICAL, PASSIVE GUIDE, SIGNAL/POWER, SCREW MOUNT OPTION, MINIPAK HDL SIZE: A1 CAGE CODE: 00779 DRAWING NO: 1892787 RESTRICTED TO: -
0 PLC ±		PRODUCT SPEC: 108-2325	
2 PLC ±0.13		APPLICATION SPEC: 114-13215	
4 PLC ±		WEIGHT: -	
ANGLES ±		FINISH: SEE NOTE 2	SCALE: 2:1
MATERIAL: SEE NOTE 1		Customer Drawing	SHEET 3 OF 3
			REV: A8