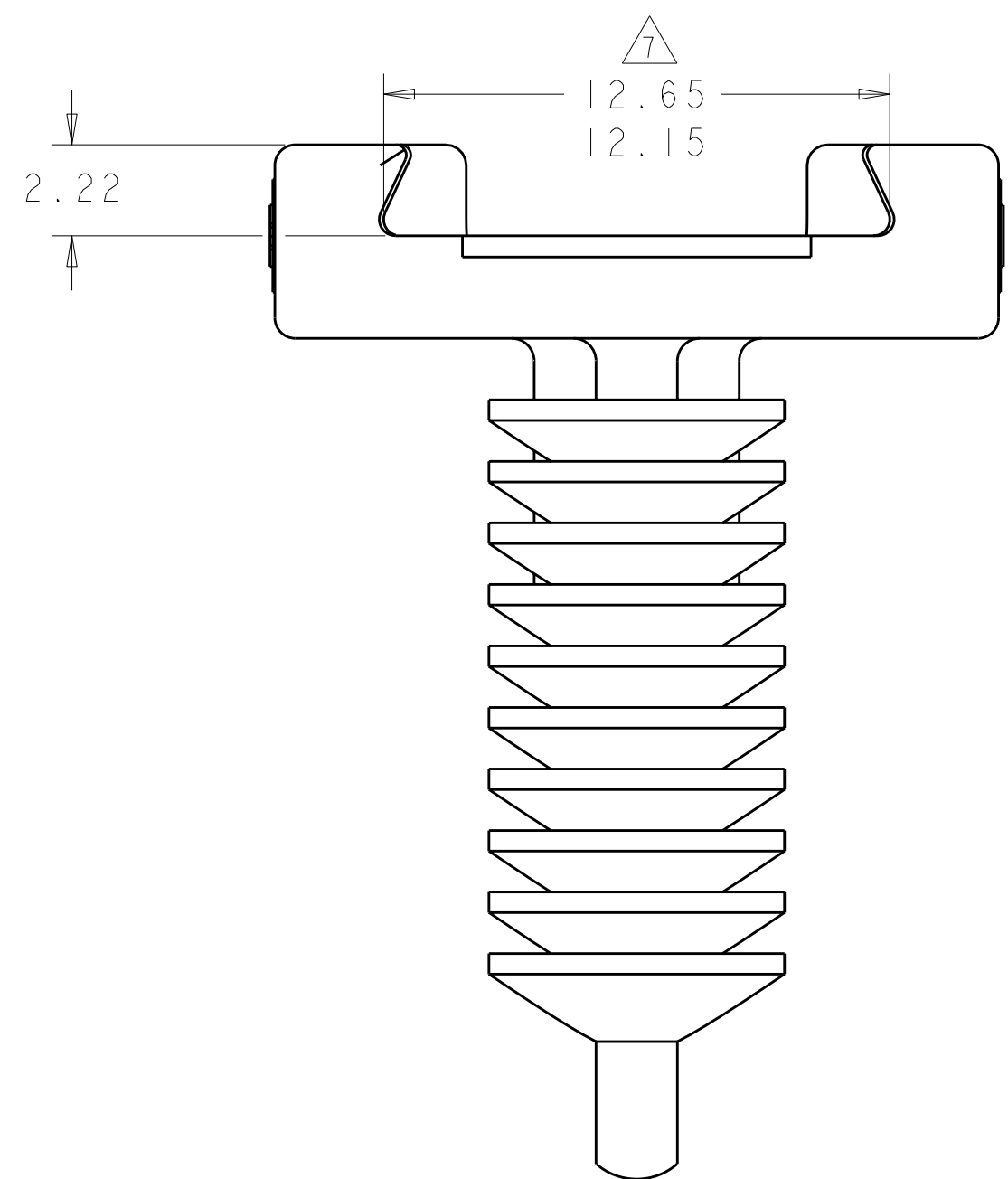
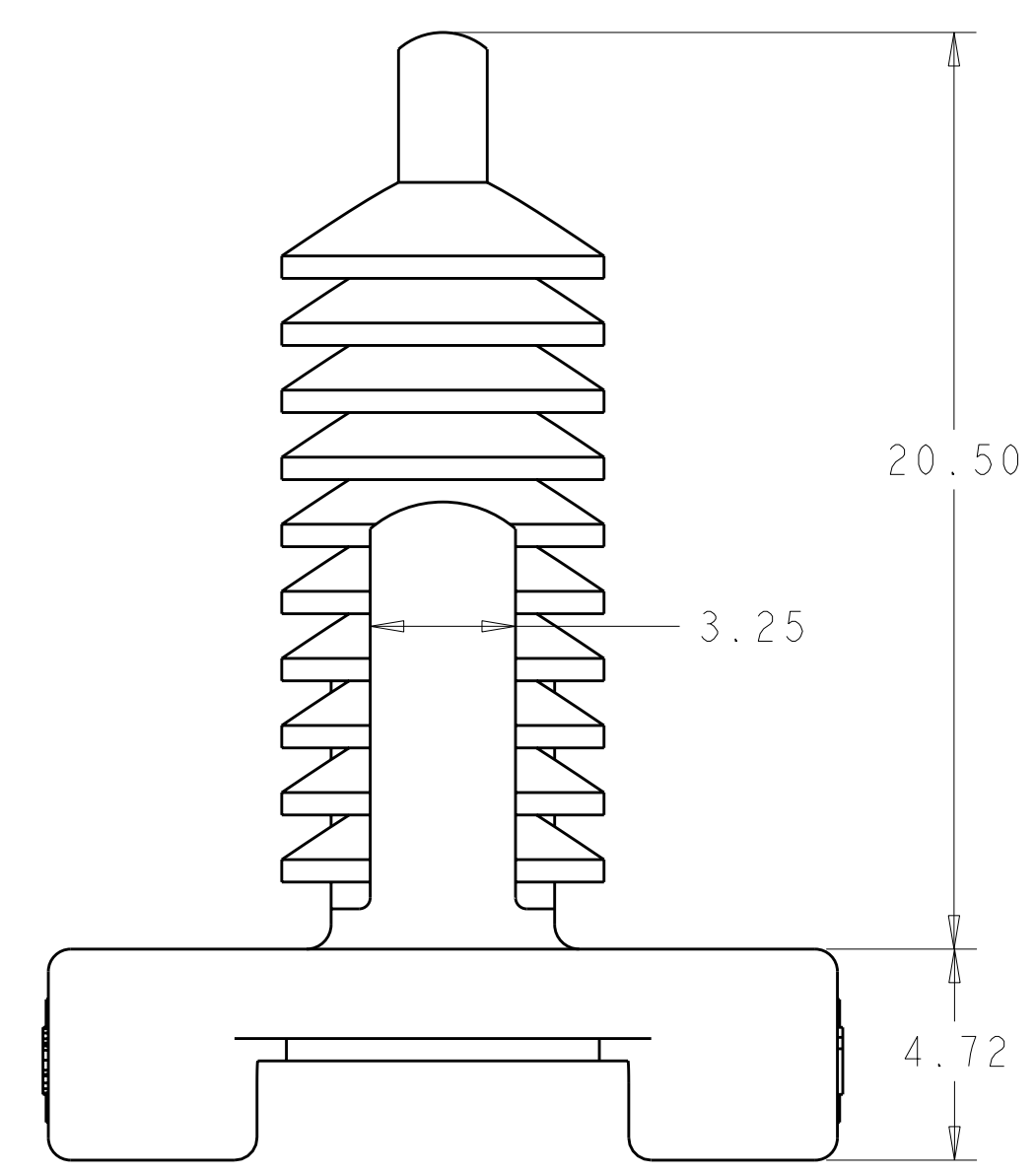
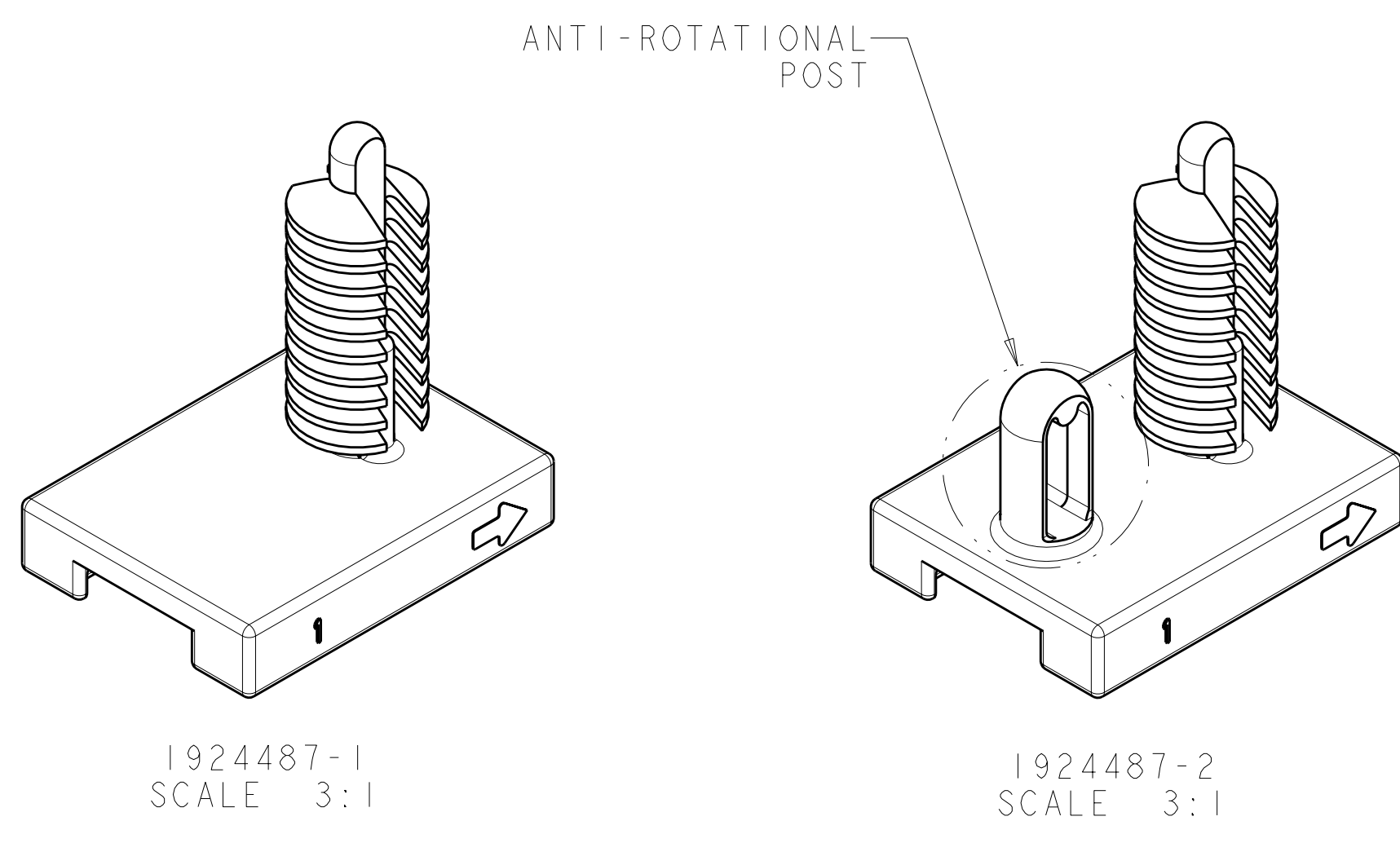
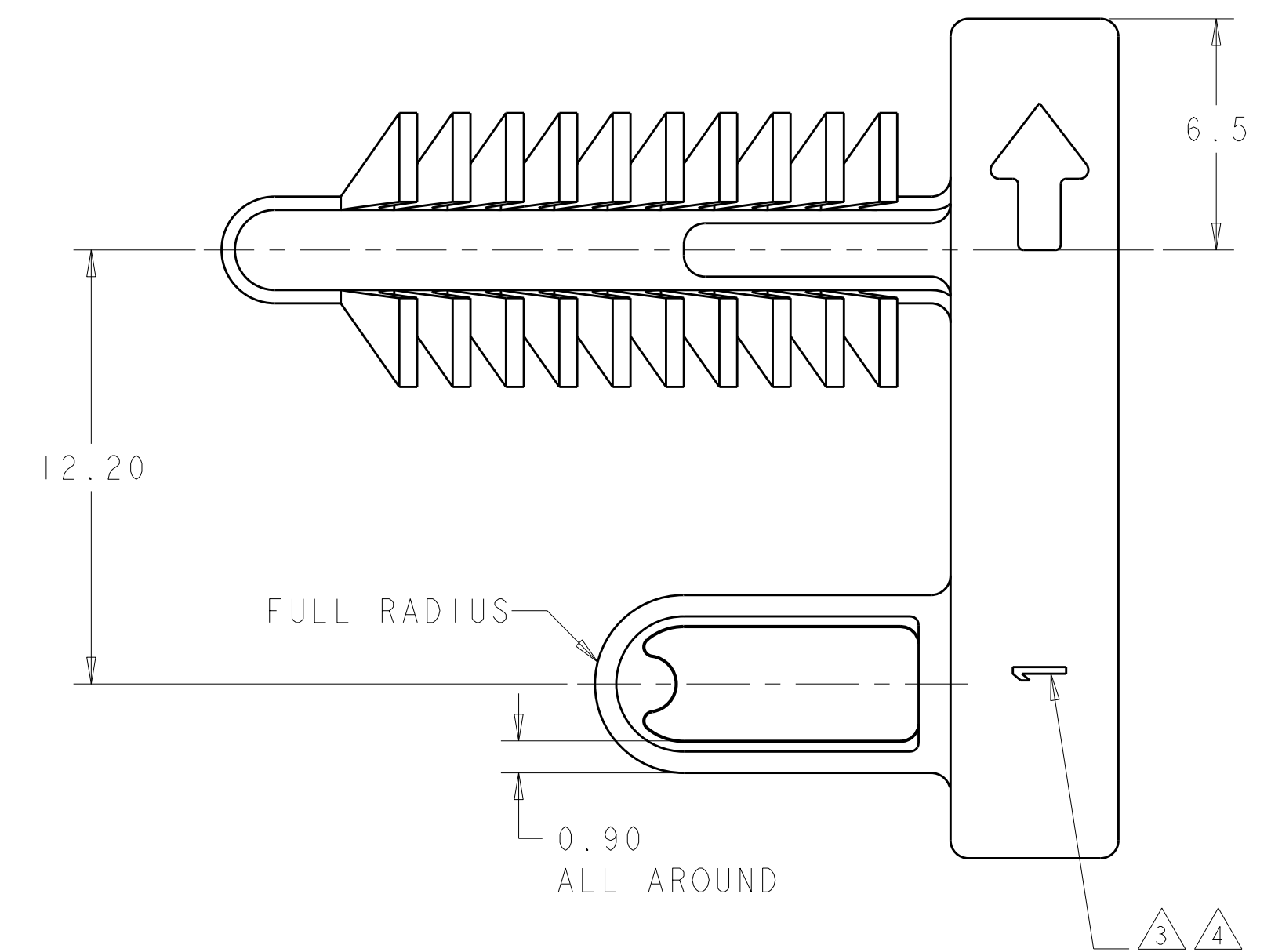
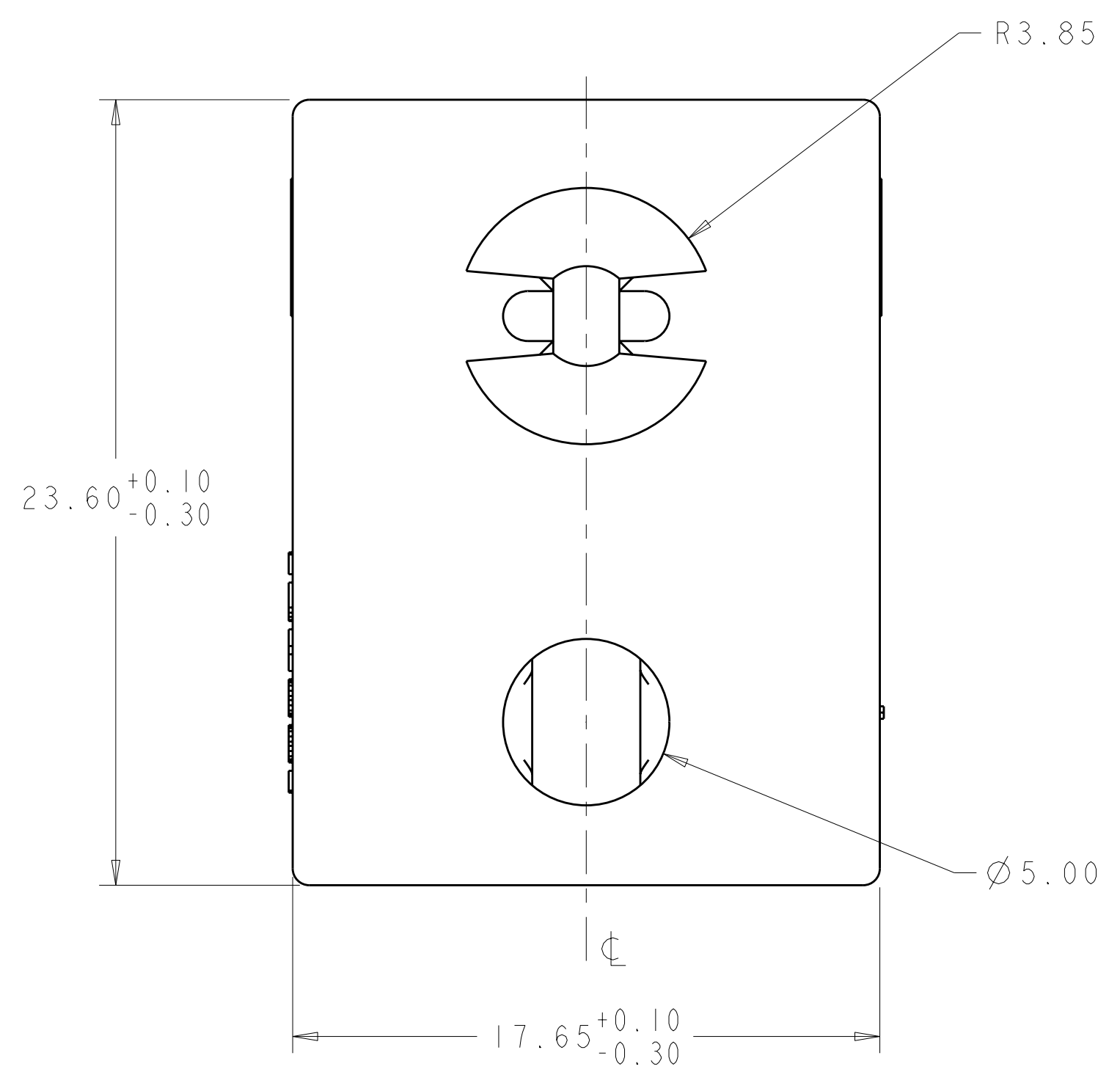
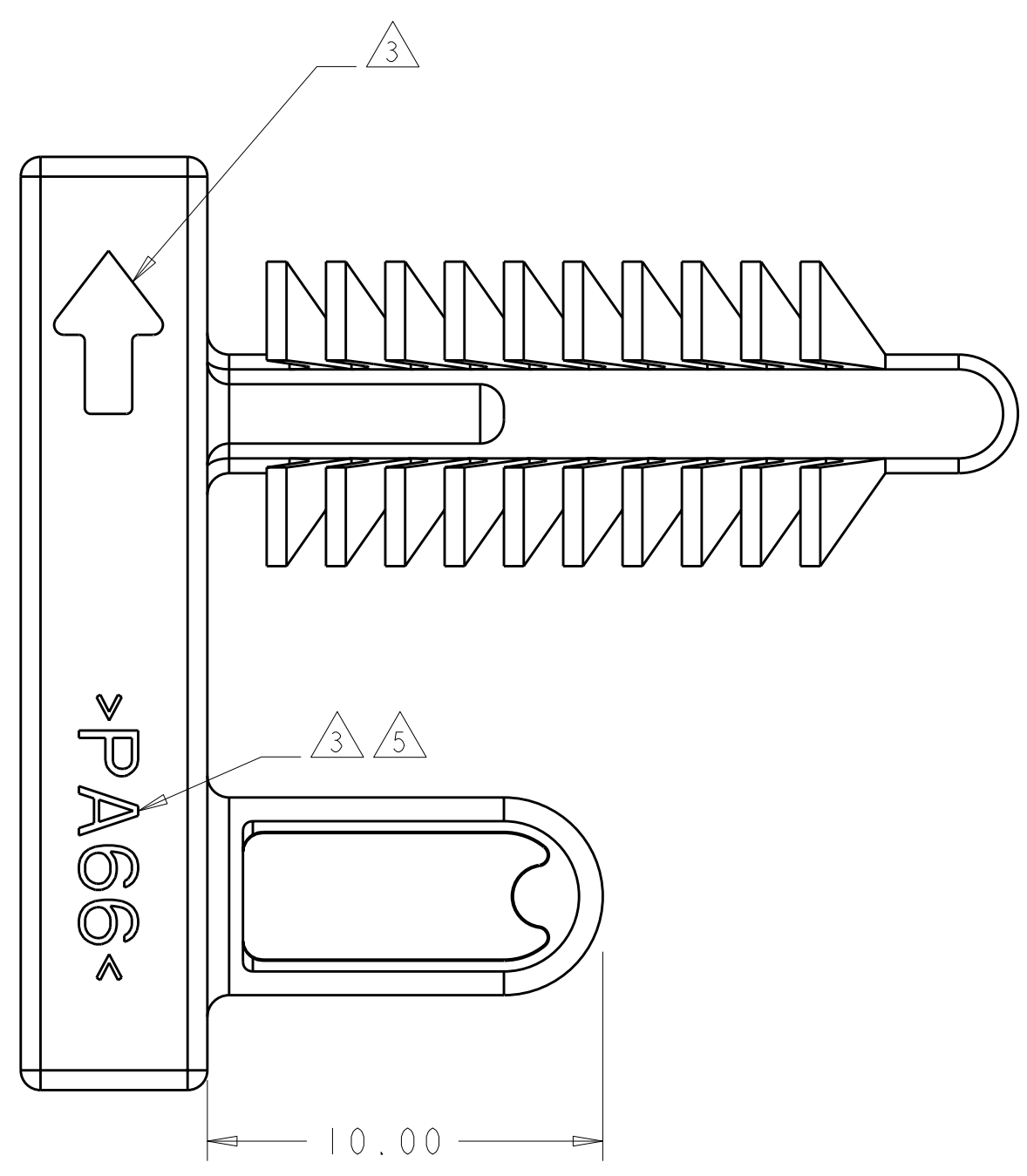


| LOC | DIST | REV | DATE | BY | CHK | APPV |
|-----|------|-----|------|----|-----|------|
| HK | 00 | | | | | |

| REVISIONS | | | |
|-----------|-----------|----|------|
| REV | DATE | BY | APPV |
| A | 22FEB2008 | JM | JM |
| A1 | 11MAR2008 | JM | JM |
| B | 27JAN2009 | DD | DC |



- 1 MATERIAL: NYLON 6/6, COLOR: BLACK
- 2. CLIP TO REATIN IN TAPPED M8 HOLE, ANTI-ROTATION POST FITS SNUGLY INTO TAPPED M6 HOLE.
- 3 AREA TO BE FROSTED APPROXIMATELY WHERE SHOWN.
- 4 CAVITY ID, TO BE CLEAR AND LEDGIBLE. LOCATED APPROX. AS SHOWN
- 5 MATERIAL ID >PA66<, TO BE CLEAR AND LEDGIBLE. LOCATED APPROX. AS SHOWN.
- 6 ANTI-ROTATIONAL POST DIMENSIONS ONLY APPLY TO 1924487-2.
- 7 DIMENSION APPLIES ACROSS THE ENTIRE DRAFTED SLOT LENGTH.



| | |
|-------|-------------|
| 10 | 1924487-2 |
| - | 1924487-1 |
| NOTES | PART NUMBER |

| | | | |
|--|--|--|--|
| DIMENSIONS: mm TOLERANCES UNLESS OTHERWISE SPECIFIED: 0 PLC ± 1 PLC ±0.5 2 PLC ±0.15 3 PLC ± 4 PLC ± ANGLES ± FINISH - | | DWN J. MARKEY 22FEB2008 CHK J. MARKEY 22FEB2008 APVD J. MARKEY 22FEB2008 PRODUCT SPEC APPLICATION SPEC WEIGHT CUSTOMER DRAWING | Tyco Electronics Harrisburg, PA 17105-3608 NAME RETAINER CLIP, AMPSEAL 16 SIZE CAGE CODE DRAWING NO A100779C=1924487 RESTRICTED TO SCALE 6:1 SHEET 1 OF 1 REV B |
|--|--|--|--|