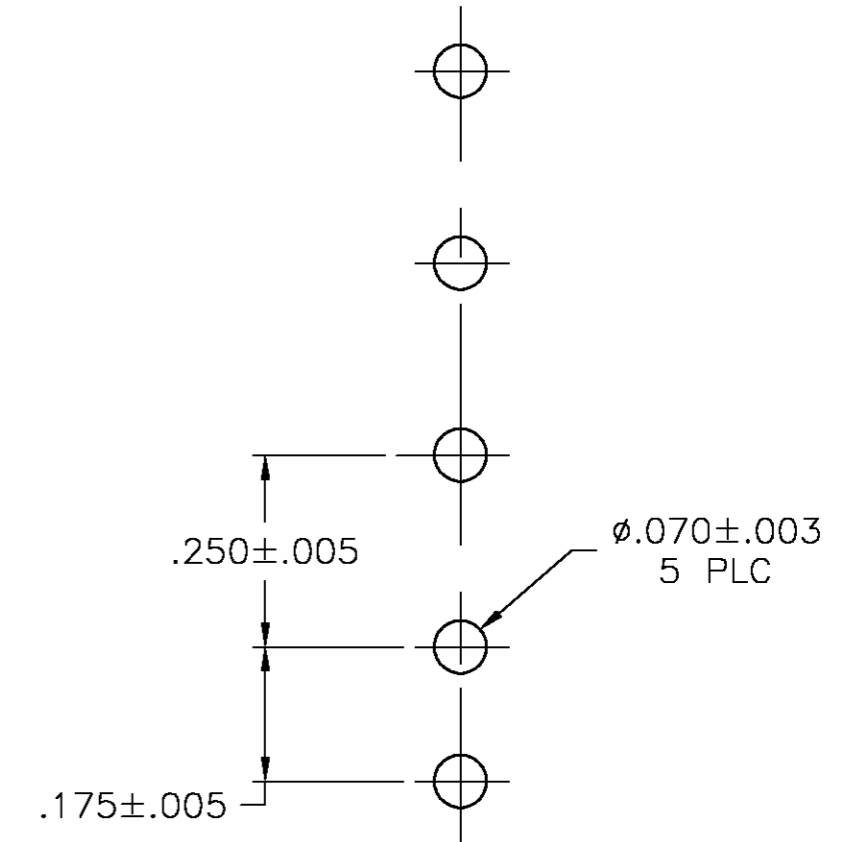
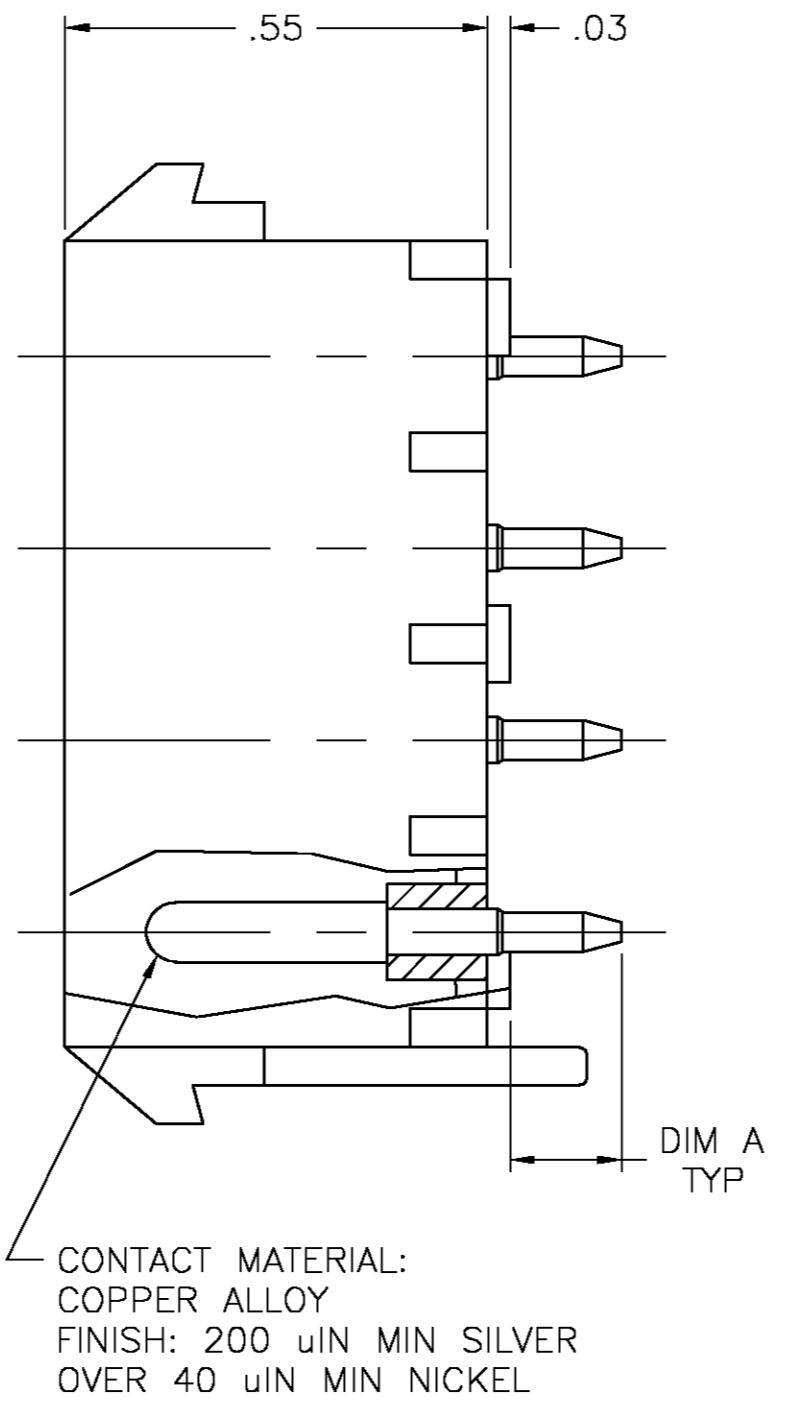
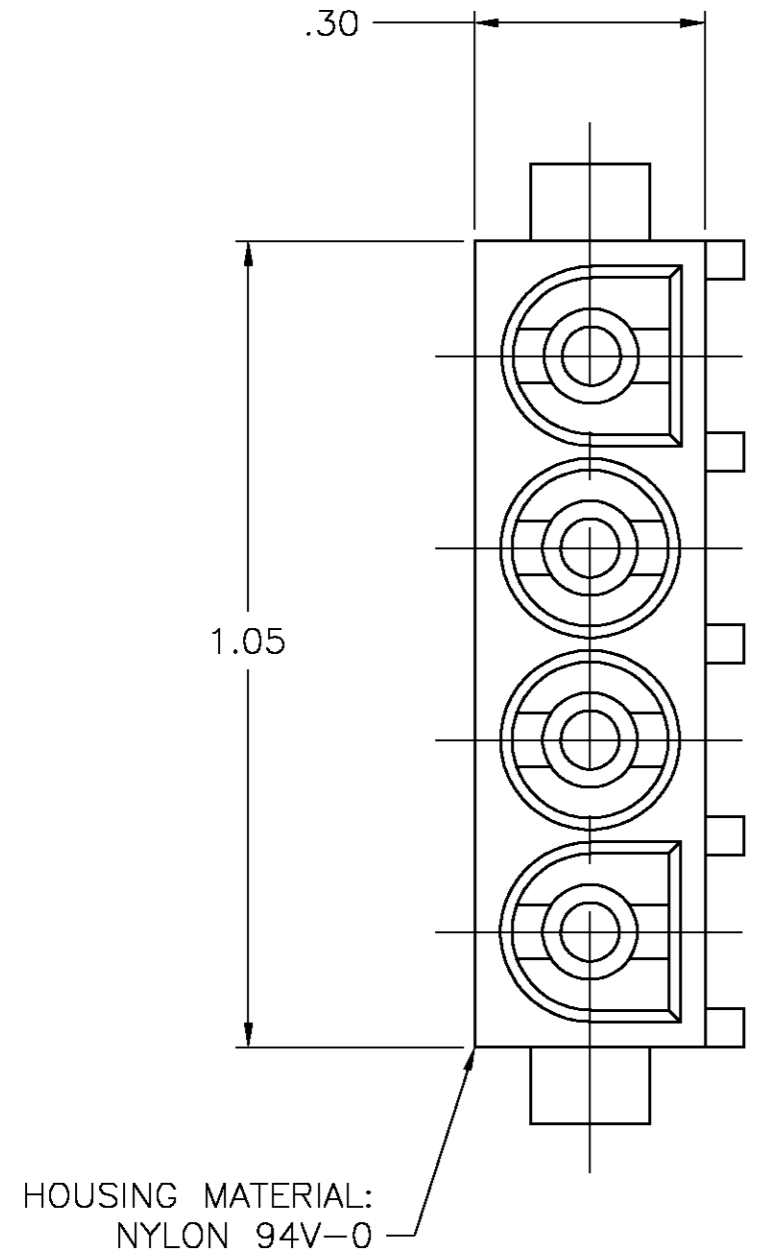


THIS DRAWING IS UNPUBLISHED. RELEASED FOR PUBLICATION
 © COPYRIGHT BY TYCO ELECTRONICS CORPORATION. ALL RIGHTS RESERVED.

LOC		DIST		REVISIONS			
P	LTR	DESCRIPTION	DATE	DWN	APVD		
FT	0	F	REVISED PER 0G3B-0926-03	11/26/03	SS	GS	

- MATES WITH MATE-N-LOK II PLUG CONNECTOR USING P/N 193797-1 SOCKET CONTACTS.
- ALL DIMENSIONS ARE REFERENCE ONLY EXCEPT P.C. LAYOUT.



RECOMMENDED LAYOUT FOR
1.57 [.062] THICK P.C. BOARD

.145	GREEN	194010-3
.275	WHITE	194010-2
.145	WHITE	194010-1
DIM A	COLOR	PART NO.

THIS DRAWING IS A CONTROLLED DOCUMENT.		DWN CMS	26/SEP/94	tyco Electronics	Tyco Electronics Corporation	
DIMENSIONS: INCHES		CHK -	26/SEP/94		City, State, Zip	
TOLERANCES UNLESS OTHERWISE SPECIFIED:		APVD -	26/SEP/94	NAME		
0 PLC ± -		PRODUCT SPEC		HIGH CURRENT VERT. PIN HEADER		
1 PLC ± -		APPLICATION SPEC		ASSY, MATE-NLOK II, 4 CIRCUIT		
2 PLC ± -		-		SIZE	CAGE CODE	DRAWING NO
3 PLC ± -		-		A2	00779	C=194010
4 PLC ± -		-		RESTRICTED TO		
ANGLES ± -		WEIGHT		-		
FINISH		-		CUSTOMER DRAWING		
-		-		SCALE	SHEET	OF
-		-		NTS	1	1
-		-		REV	F	