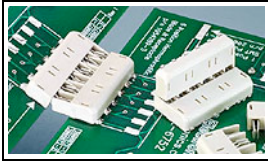


## 1954289-2 Product Details

[Share](#) [Print](#) [Email](#)



**1954289-2**

TE Internal Number: 1954289-2

Active

[View 3D PDF](#)

### Hermaphroditic Blade and Receptacle Connectors

Always EU RoHS/ELV Compliant (Statement of Compliance)

#### Product Highlights:

- Connector
- Board-to-Board
- 4.00 mm Centerline
- Applies To Printed Circuit Board
- Contact Current Rating, Max. = 5 A

[View all Features](#)

### Quick Links

- ▶ [Pricing & Availability](#)
- ▶ [Search for Tooling](#)
- ▶ [Product Feature Selector](#)
- ▶ [Contact Us About This Product](#)

[Add to My Part List](#) [Request Sample](#) [Find Similar Products](#) [Buy Product](#)

### Documentation & Additional Information

#### Product Drawings:

- [CONNECTOR ASSEMBLY, HERMAPHRODITIC BLADE AND RECEPTACLE \(PDF, English\)](#)

#### Catalog Pages/Data Sheets:

- [HERMAPHRODITIC\\_BLADE\\_AND\\_RECPT\\_CONNECTOR \(PDF, English\)](#)

#### Product Specifications:

- [SMT Hermaphroditic Blade and Receptacle Connector As... \(PDF, English\)](#)

#### Application Specifications:

- [Hermaphroditic Blade and Receptacle Connector \(PDF, English\)](#)

#### Instruction Sheets:

- None Available

#### CAD Files: (CAD Format & Compression Information)

- [2D Drawing \(DXF, Version A\)](#)
- [3D Model \(IGES, Version A\)](#)
- [3D Model \(STEP, Version A\)](#)

[List all Documents](#)

#### Related Products:

- [Tooling](#)

### Product Features (Please use the Product Drawing for all design activity)

#### Product Type Features:

- Product Type = Connector
- Connector Type = Housing
- Sealed = No
- PCB Mount Retention = With
- PCB Mount Alignment = Without
- Mount Angle = Right Angle
- UL File Number = E28476
- Keyed = No
- PCB Mount Retention Type = Solder Pads
- Make First / Break Last = No

#### Electrical Characteristics:

- Contact Current Rating, Max. (A) = 5
- Operating Voltage (VAC) = 90
- Operating Voltage (VDC) = 90

#### Termination Features:

- Termination Method to PC Board = Surface Mount

#### Dimensions:

- Length (X-Axis) (mm [in]) = 12.25 [0.482]
- Width (Z-Axis) (mm [in]) = 15.90 [0.626]
- Profile Height (Y-Axis) (mm [in]) = 4.13 [0.163]
- Post-Mating Assembly Measurement (mm [in]) = 7.5 [0.295]

#### Body Features:

- Mating Retention = Without
- Header Mating Direction = Horizontal

#### Contact Features:

- Contact Plating, Termination Area, Material = Matte Tin-Lead over Nickel

#### Configuration Features:

- Number of Positions = 4
- [Number of Rows](#) = 1
- SMT Compatible = Yes
- Tail Orientation = In-line

#### Industry Standards:

- Agency/Standard = CSA, UL
- Agency/Standard Number = C22.2 No. 182.3-M1987, UL 1977
- [RoHS/ELV Compliance](#) = RoHS compliant, ELV compliant
- [Lead Free Solder Processes](#) = Reflow solder capable to 245°C, Reflow solder capable to 260°C
- [RoHS/ELV Compliance History](#) = Always was RoHS compliant

#### Identification Marking:

- Circuit Identification Feature = Without

#### Environmental:

- Operating Temperature (°C [°F]) = -40 - +105 [-40 - +212]

#### Conditions for Usage:

- Applies To = Printed Circuit Board
- Lighting Interconnect Level = Level 2
- SMT Soldering Temperature (°C [°F]) = 260 [500]
- Glow Wire Rating = Standard Part - Not Glow Wire
- UV Exposure Rated = No

#### Operation/Application:

- Application Use = Board-to-Board

#### Packaging Features:

- Packaging Method = Tape & Reel

- Contact Plating, Termination Area, Thickness ( $\mu\text{m}$  [ $\mu\text{in}$ ]) = 5 [191.85]
- Contact Type = Blade/Socket
- Contact Plating, Mating Area, Material = Matte Tin
- Contact Plating, Mating Area, Thickness ( $\mu\text{m}$  [ $\mu\text{in}$ ]) = 5 [196.85]
- Stamped and Formed = Yes

**Other:**

- Brand = TE Connectivity

**Housing Features:**

- Centerline (mm [in]) = 4.00 [0.157]
- Connector Style = Hermaphroditic
- Mating Alignment = With
- Housing Material = Liquid Crystal Polymer (LCP)
- Housing Color = White
- UL Flammability Rating = UL 94V-0

**Corporate Information**

- [About TE](#)
- [Investors](#)
- [News Room](#)
- [Supplier Portal](#)
- [Careers](#)
- [Terms & Conditions](#)
- [Privacy Policy](#)

**Quick Links**

- [Distributor Inventory](#)
- [Product Cross Reference](#)
- [Documents & Drawings](#)
- [Product Compliance Support Center](#)
- [Site Map](#)

**Customer Support**

- [Email or Chat With Us](#)
- [Find a Phone Number](#)
- [Knowledge Base](#)
- [Manage Your Account](#)

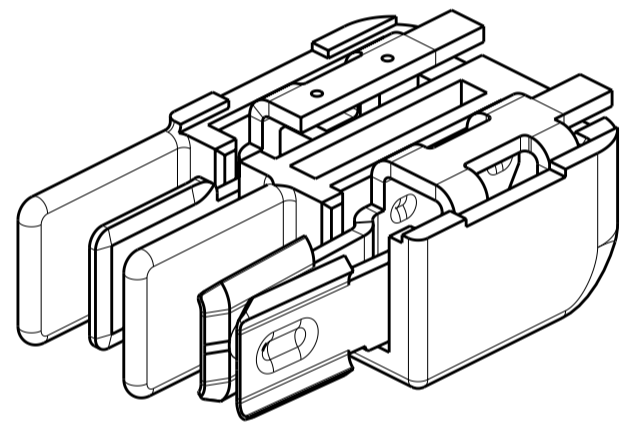
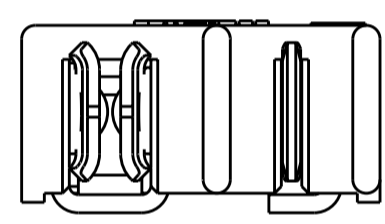
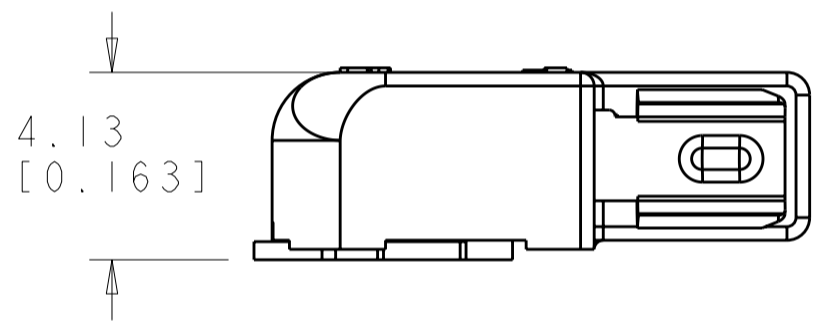
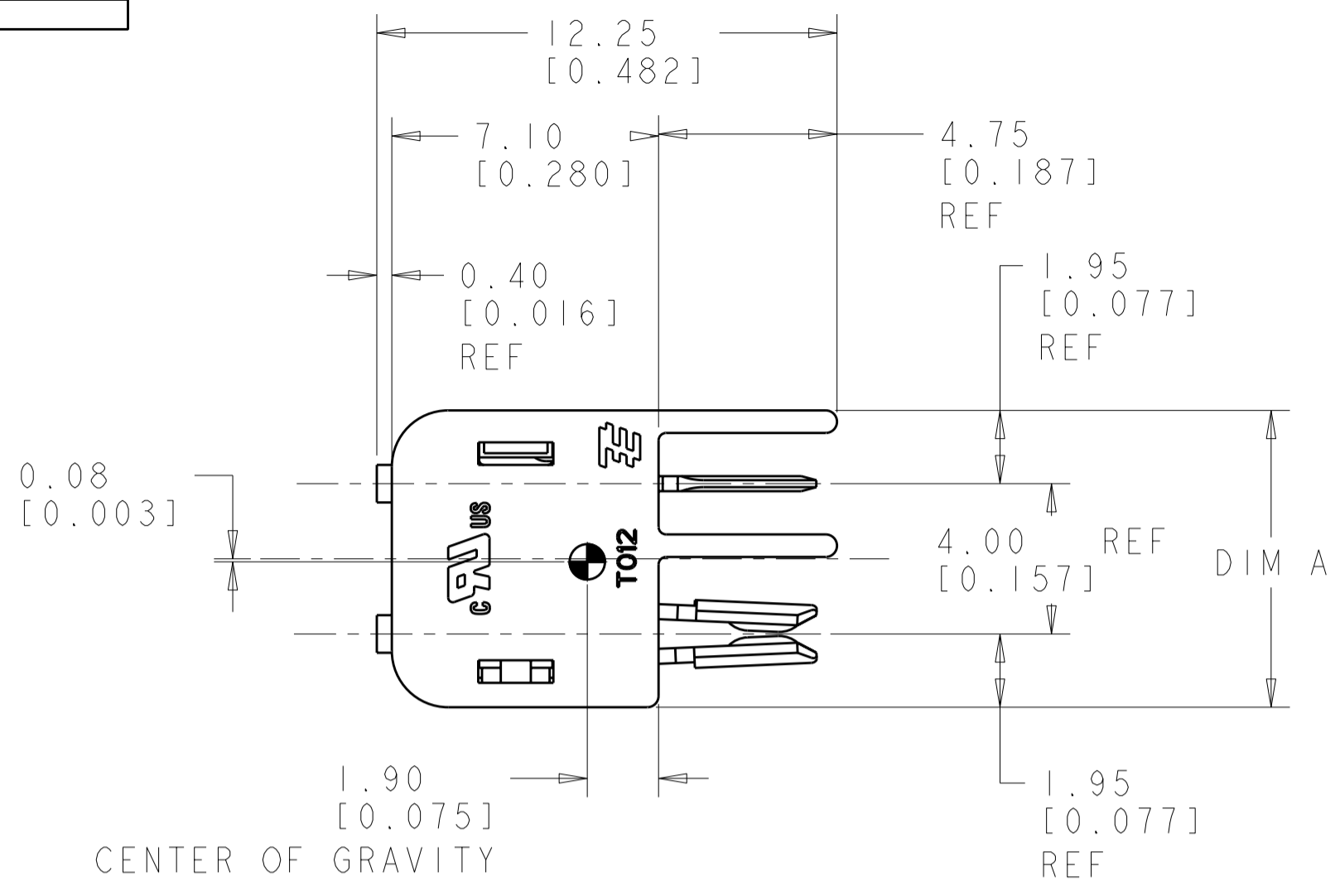
**Keep Me Informed**



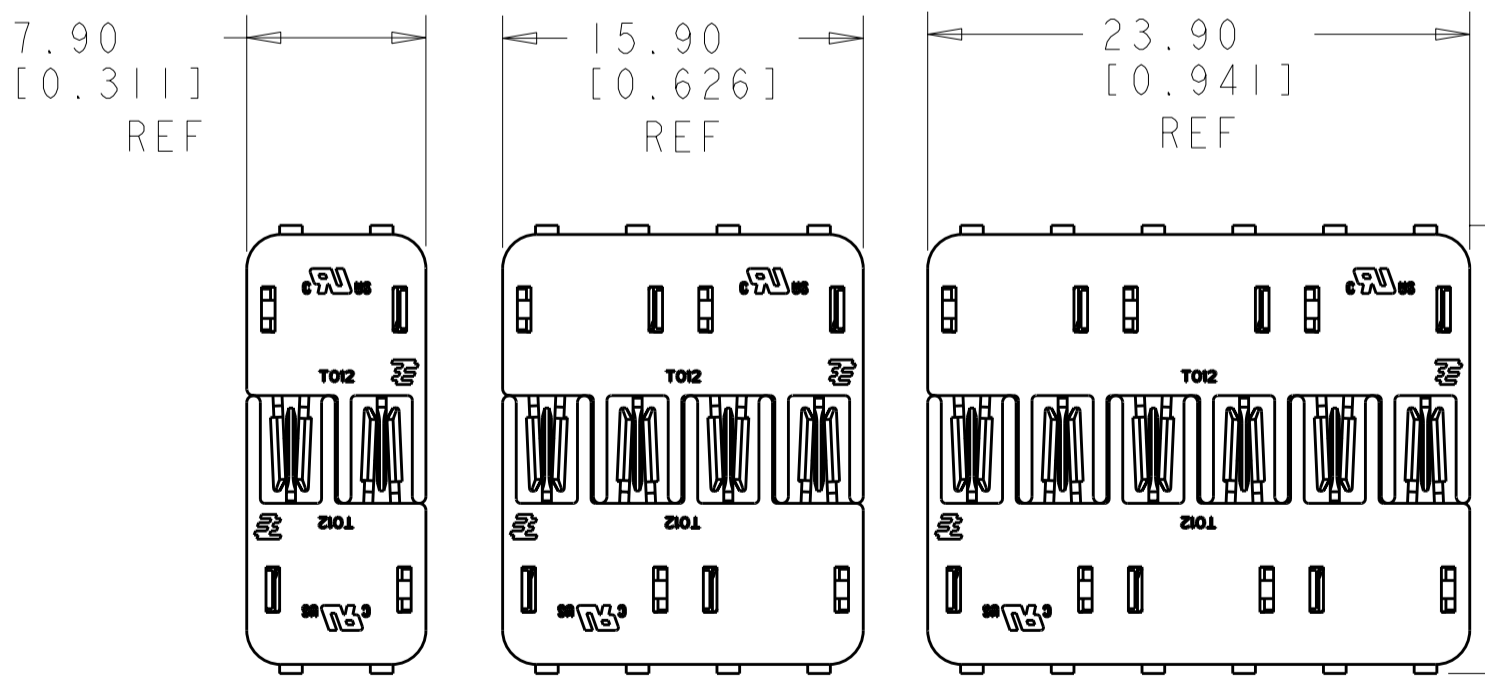
THIS DRAWING IS UNPUBLISHED. RELEASED FOR PUBLICATION 20  
 © COPYRIGHT 20 BY - ALL RIGHTS RESERVED.

REVISIONS					
P	LTR	DESCRIPTION	DATE	DWN	APVD
B1		REVISED PER ECO-11-004587	11MAR2011	RK	HMR
B2		REVISED PER ECR-11-015304	29JUL2011	RK	DD

NOTES:  
 1 MATERIALS AND FINISH  
 - HOUSING: LCP  
 - CONTACTS: COPPER ALLOY,  
 FINISH: TIN  
 2 PRODUCT TO COMPLY WITH  
 DIRECTIVE 2002/95/EC (ROHS)  
 3 PACKAGED IN TAPE AND REEL  
 PER EIA-481 SPECIFICATIONS



1954289-1/  
 1-1954289-1  
 SHOWN



1954289-1/ 1954289-2/  
 1-1954289-1 1-1954289-2  
 SCALE 3:1 SCALE 3:1  
 1954289-3/  
 1-1954289-3  
 SCALE 3:1

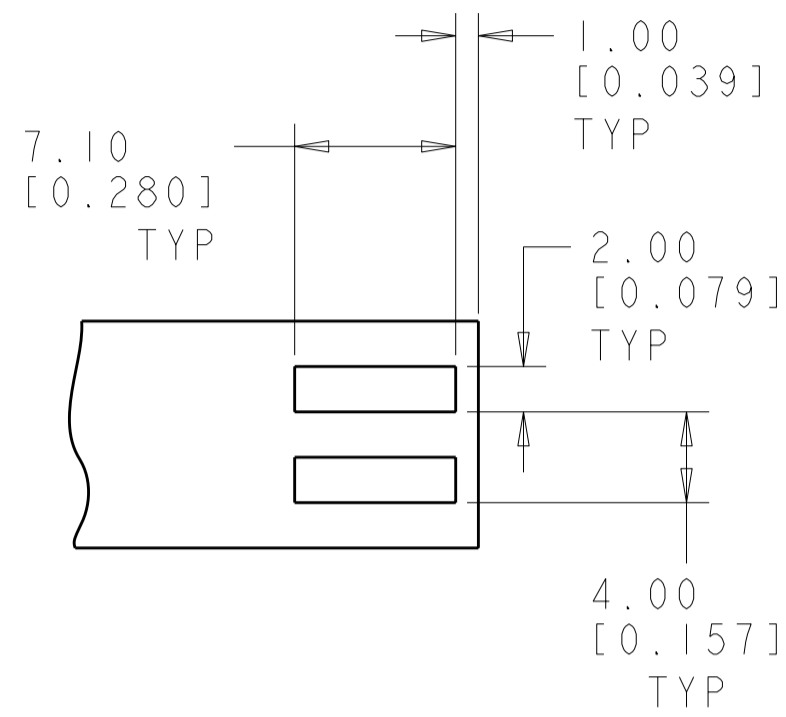
MATED PAIRS SHOWN FOR REFERENCE

POSITION	COLOR	DIM A	PART NO.
6	BLACK	23.90	1-1954289-3
4	BLACK	15.90	1-1954289-2
2	BLACK	7.90	1-1954289-1
6	NATURAL	23.90	1954289-3
4	NATURAL	15.90	1954289-2
2	NATURAL	7.90	1954289-1

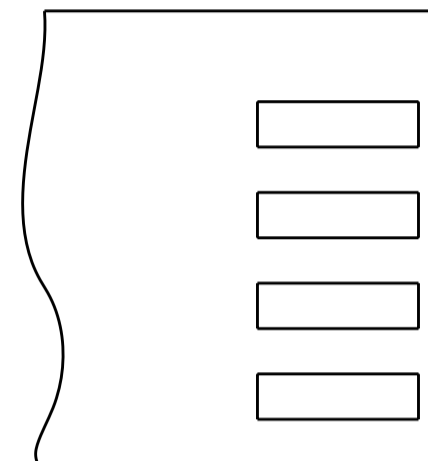
THIS DRAWING IS A CONTROLLED DOCUMENT.		DWN RAGHU 18DEC2006	<b>STE</b> TE Connectivity		
		CHK S. HORST 17APR2007			
DIMENSIONS: mm		TOLERANCES UNLESS OTHERWISE SPECIFIED:		NAME CONNECTOR ASSEMBLY, HERMAPHRODITIC BLADE AND RECEPTACLE	
0 PLC ±-		1 PLC ±-		APVD -	
2 PLC ±0.13		3 PLC ±0.013		PRODUCT SPEC 108-2342	
4 PLC ±-		ANGLES ±°		APPLICATION SPEC 114-13225	
FINISH		MATERIAL		SIZE CAGE CODE DRAWING NO	
CUSTOMER DRAWING		WEIGHT -		A200779C-1954289	
SCALE 3:1		SHEET 1 OF 2		RESTRICTED TO -	
				REV B2	

THIS DRAWING IS UNPUBLISHED. RELEASED FOR PUBLICATION 20  
 © COPYRIGHT 20 BY - ALL RIGHTS RESERVED.

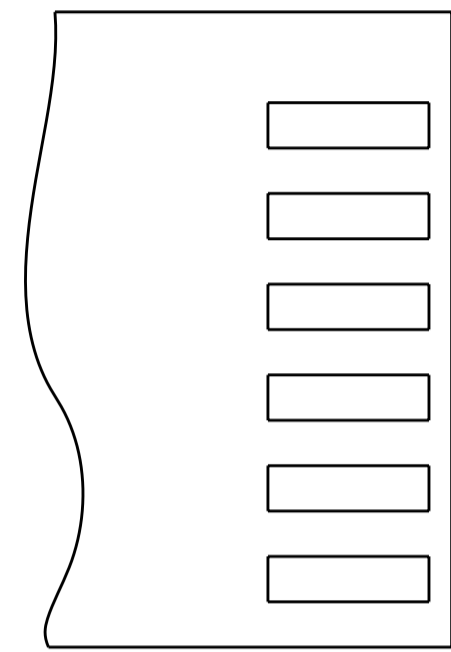
LOC		DIST		REVISIONS			
P	LTR	DESCRIPTION	DATE	DWN	APVD		
-	-	SEE SHEET 1	-	-	-		



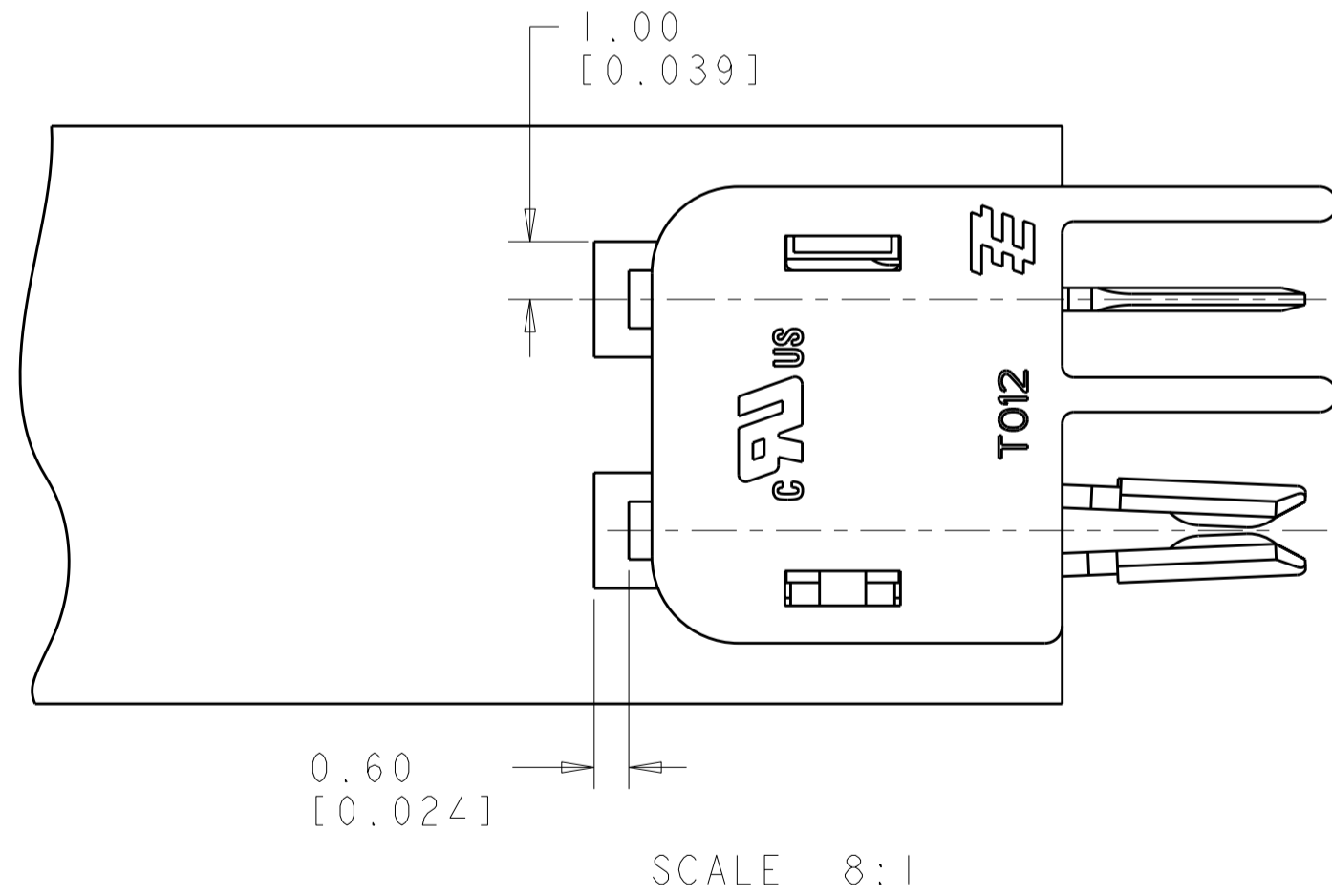
RECOMMENDED PCB LAYOUT FOR 1954289-1 & 1-1954289-1



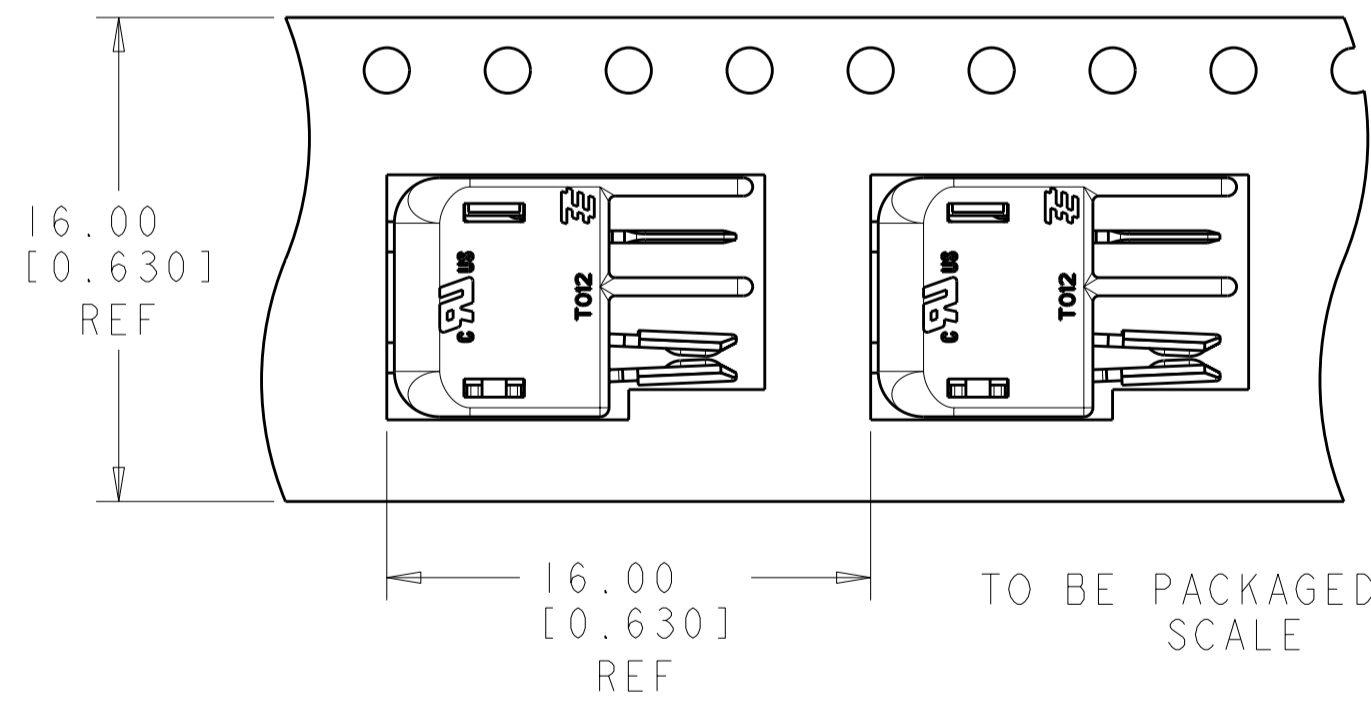
RECOMMENDED PCB LAYOUT FOR 1954289-2 & 1-1954289-2



RECOMMENDED PCB LAYOUT FOR 1954289-3 & 1-1954289-3



SCALE 8:1



TO BE PACKAGED AS SHOWN SCALE 4:1

THIS DRAWING IS A CONTROLLED DOCUMENT.		DWN RAGHU 18DEC2006	<b>STE</b> TE Connectivity	
		CHK S_HORST 17APR2007		
DIMENSIONS: mm		TOLERANCES UNLESS OTHERWISE SPECIFIED:		NAME
<ul style="list-style-type: none"> <li>0 PLC ±</li> <li>1 PLC ±</li> <li>2 PLC ±0.13</li> <li>3 PLC ±0.013</li> <li>4 PLC ±</li> <li>ANGLES ±°</li> <li>FINISH</li> </ul>		APVD -	PRODUCT SPEC 108-2342	CONNECTOR ASSEMBLY, HERMAPHRODITIC BLADE AND RECEPTACLE
MATERIAL -		APPLICATION SPEC 114-13225	WEIGHT -	RESTRICTED TO -
		CUSTOMER DRAWING	SCALE 3:1	SHEET 2 OF 2 REV B2