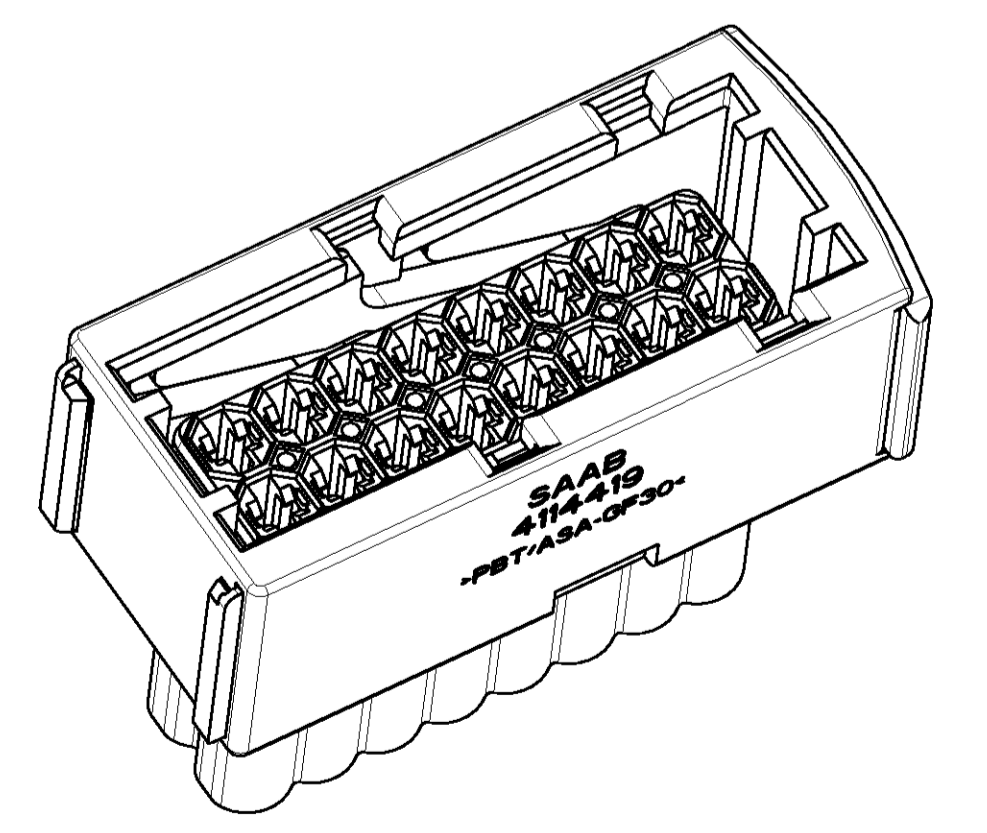
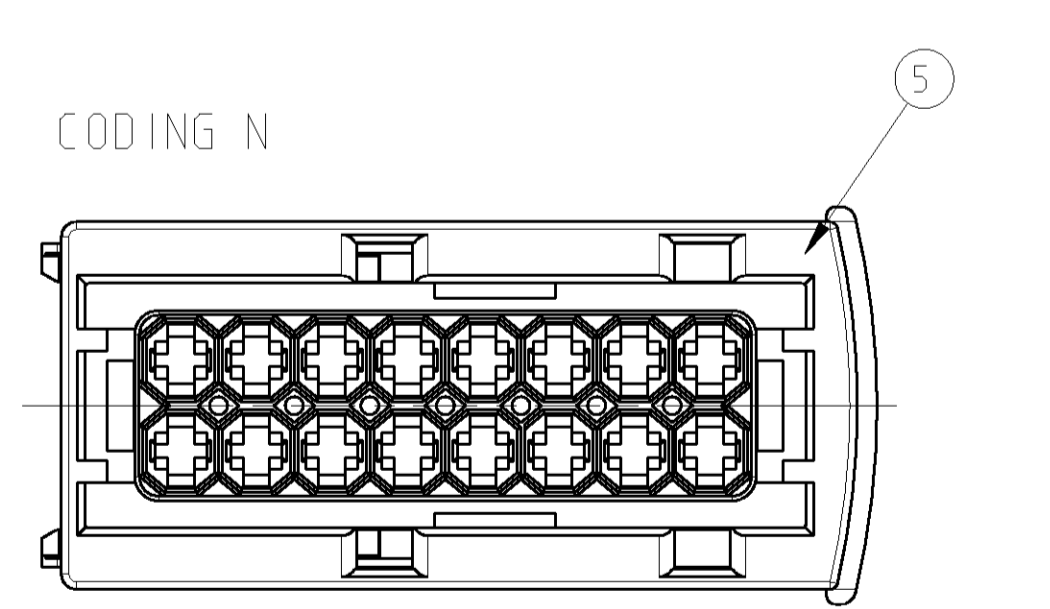
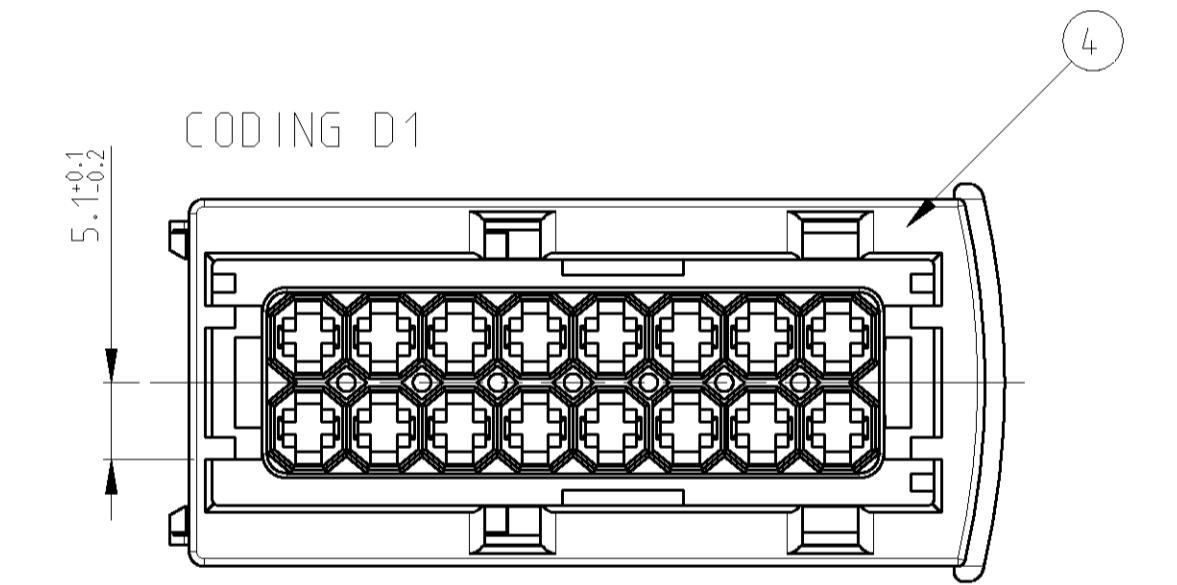
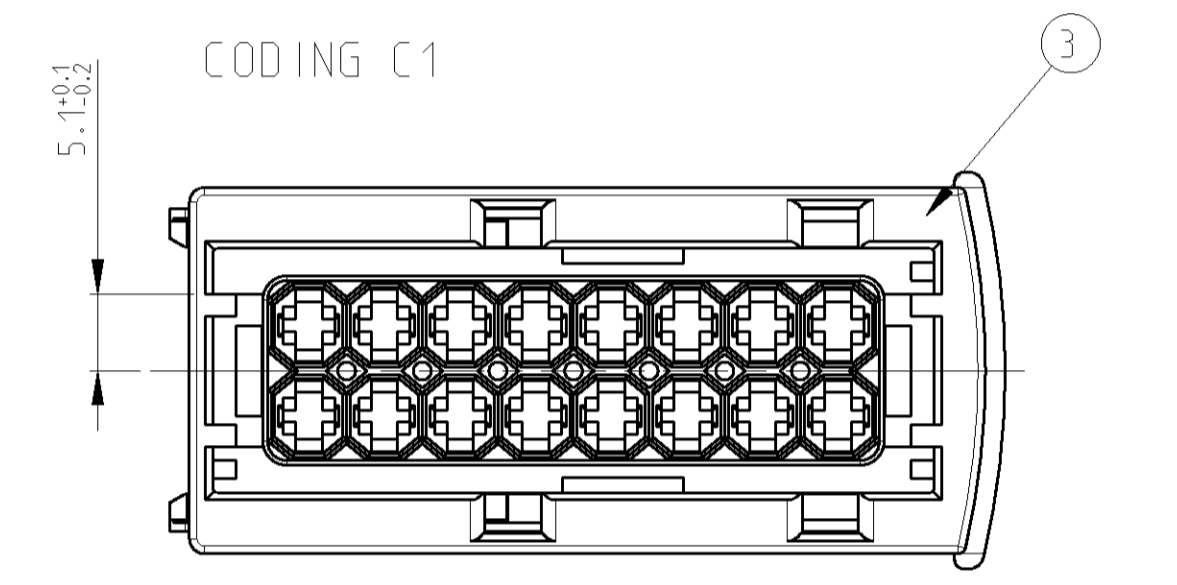
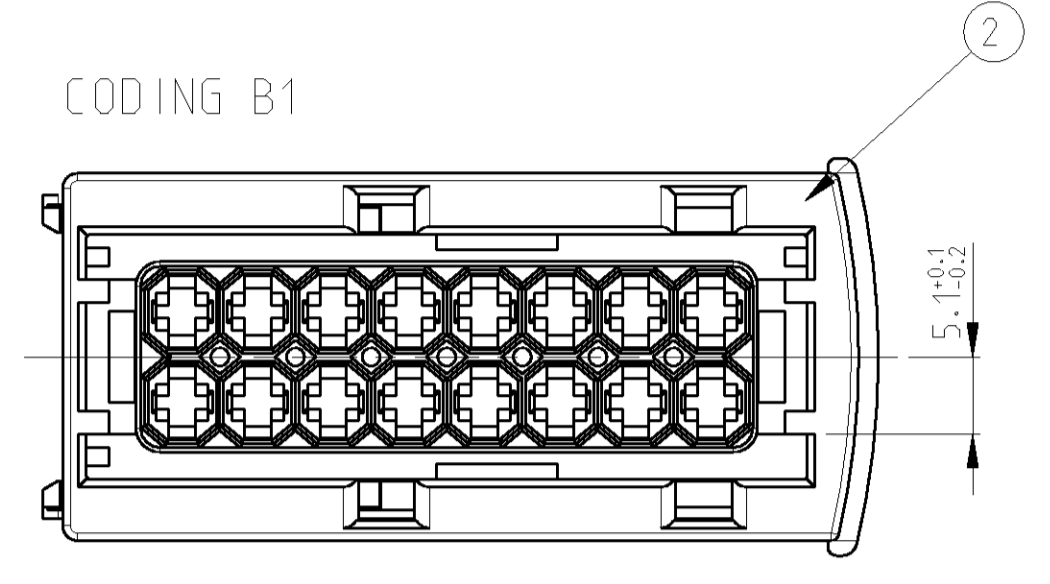
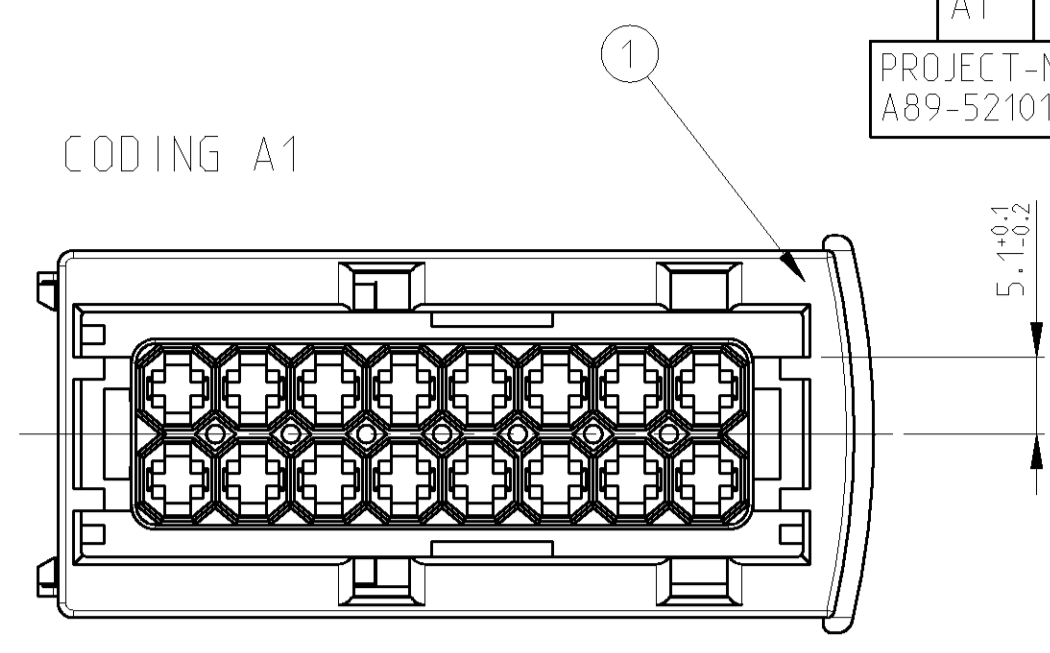
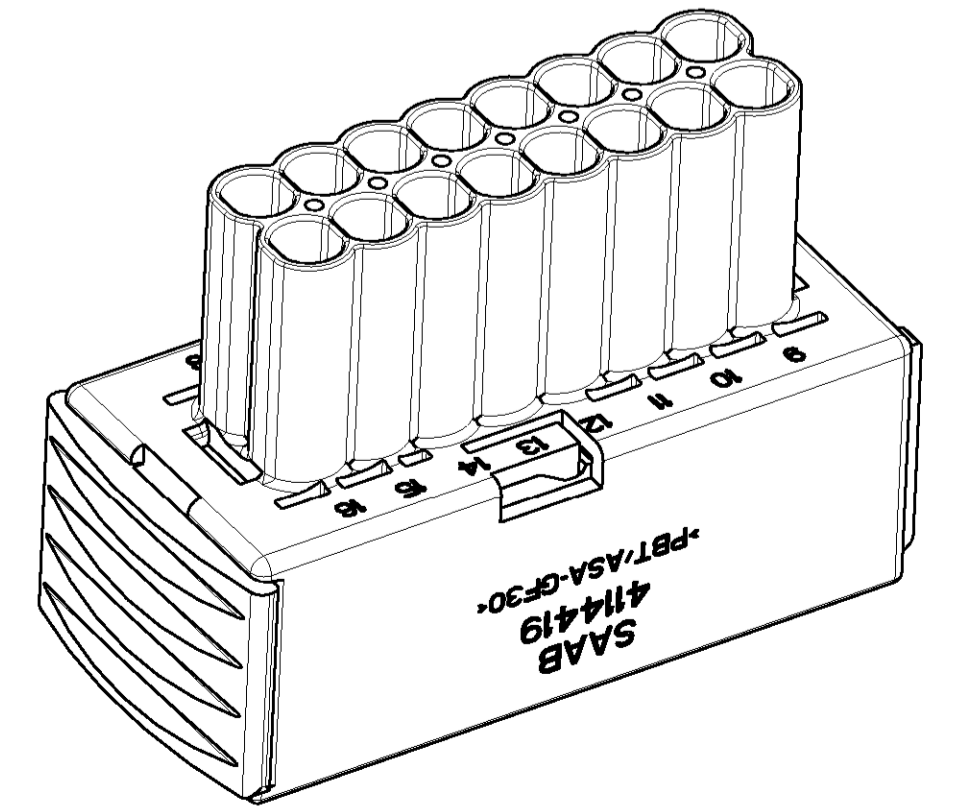


NOTES :

- 1 Au-VERSION OF CONTACT IS 1-xxxxxx-1
 Au-Version des Kontaktes ist 1-xxxxxx-1
- 2 WATER TIGHTNESS ACC. GMI 12590; 5.10.3
 FURTHER INFORMATIONS SEE PRODUCT SPECIFICATION 108-18102-1/...-9
 Wasserdichtheit nach GMI 12590; 5.10.3
 Weitere Informationen siehe Produktspezifikation 108-18102-1/...-9
- 3 Einfall bis auf 23.5mm zulässig
 SHRINKAGE UP TO 23.5MM ALLOWED

JPT	ORDER-NO. STRIP	WIRE SIZE (mm 2)	MATERIAL	FINISH	SINGLE WIRE SEAL	COLOR	WATER-TIGHTNESS
JPT	0-0929937-1	1.5 - 2.5	CuFe 2	TINNED	0-0828905-1	WHITE	IPX 9K
JPT	0-0929939-1	0.75 - 1.0	CuFe 2	TINNED	0-0828904-1	LIGHT BLUE	IPX 9K
JPT	0-0929939-1	0.5	CuFe 2	TINNED	0-0963294-1	BLUE	IPX 9K
JPT	0-0929941-1	0.35	CuFe 2	TINNED	0-0963294-1	BLUE	IPX 9K



REV	DATE	BY	CHK	APPV
E	06MAY2004	MD	TK	
F	17AUG2004	PK	TK	
F1	25JUL2005	SC	MP	
F2	10OCT2005	MP	TK	

REV	DATE	BY	CHK	APPV
E	06MAY2004	MD	TK	
F	17AUG2004	PK	TK	
F1	25JUL2005	SC	MP	
F2	10OCT2005	MP	TK	

CUSTOMER PART NO.	GM SIGN	AMP PART NO.	REV.	PCS	MATERIAL	COLOR	DESCRIPTION	ITEM NO.
4114401		5-963217-1 CODING N	E	1	PBT/ASA-GF30	RED	SLIDE	6
4114443		4-963217-1 CODING D1	E	1	PBT/ASA-GF30	WHITE	JPT HSG., 16POS.	5
4114435		3-963217-1 CODING C1	E	1	PBT/ASA-GF30	RED	SLIDE	6
4114427		2-963217-1 CODING B1	F	1	PBT/ASA-GF30	BROWN	JPT HSG., 16POS.	4
4114419	ZFW 16-2	1-963217-1 CODING A1	F	1	PBT/ASA-GF30	BLUE	JPT HSG., 16POS.	3
				1	PBT/ASA-GF30	RED	SLIDE	6
				1	PBT/ASA-GF30	GREY	JPT HSG., 16POS.	2
				1	PBT/ASA-GF30	RED	SLIDE	6
				1	PBT/ASA-GF30	BLACK	JPT HSG., 16POS.	1

LOC	DIST	REV	DATE	BY	CHK	APPV
A1	-	-	29-MAR-1999	S. GARCIA	W. STABROTH	

DIMENSIONS:	TOLERANCES UNLESS OTHERWISE SPECIFIED:
mm	0 PLC ±0.3
	1 PLC ±0.3
	2 PLC ±0.3
	3 PLC ±0.3
	4 PLC ±0.3
	ANGLES
	FINISH

PRODUCT SPEC	APPLICATION SPEC	WEIGHT	CUSTOMER DRAWING
108-18102	114-18175	-	A1 00779

tyco Electronics	tyco Electronics AMP GmbH
108-18102	0-64625 Bensheim
JPT REC-HOUSING, 16POS., ASSY	JPT Buchsengehäuse, 16pol., Assy
SCALE 2:1	SHEET 1 OF 1