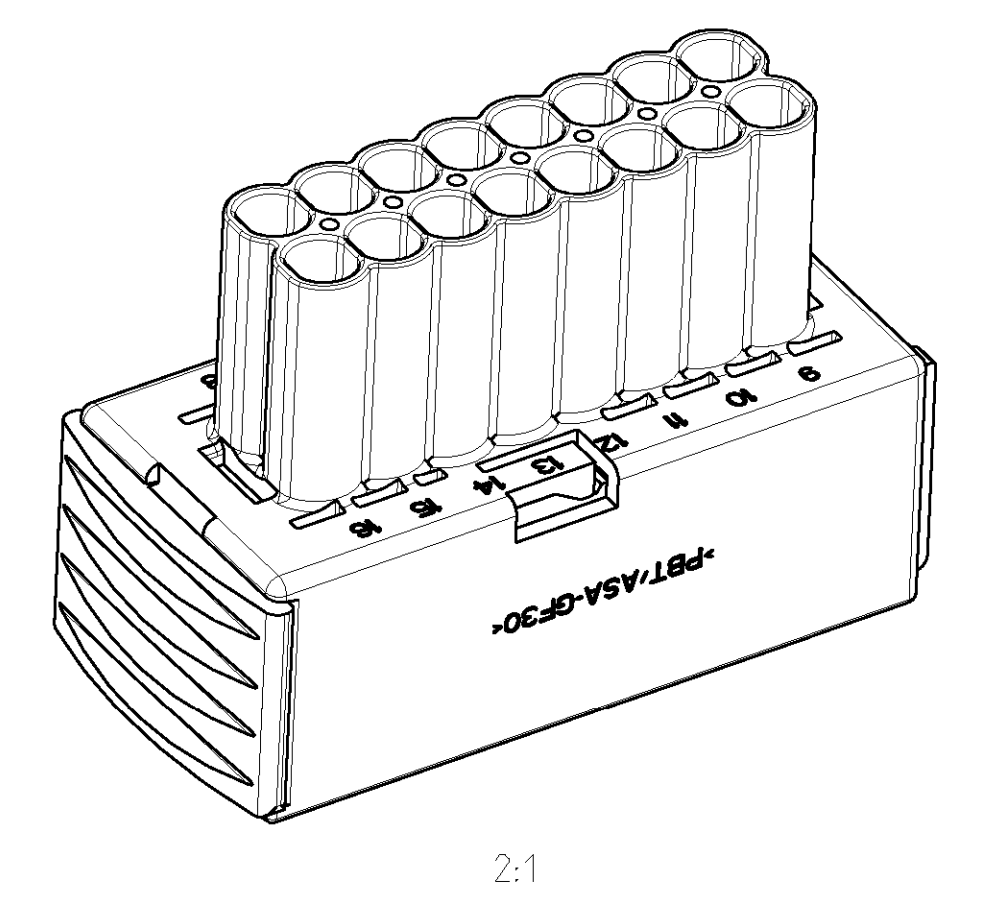
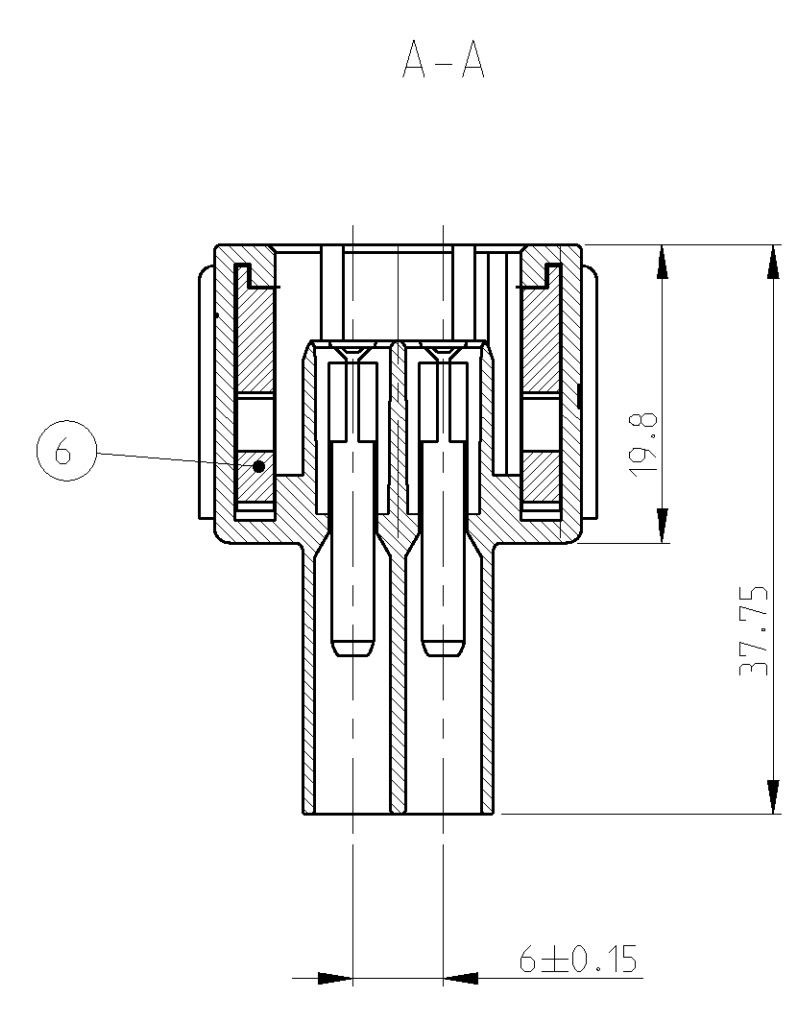
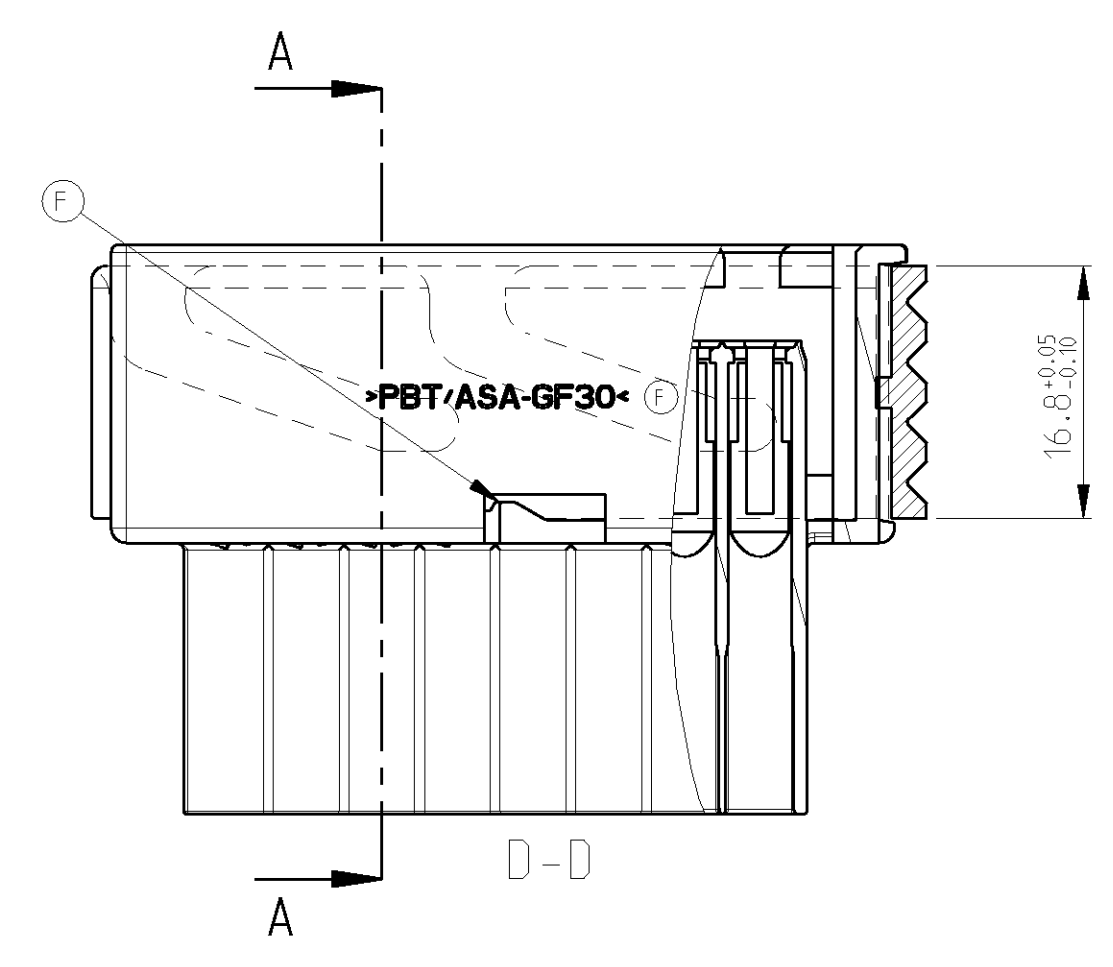
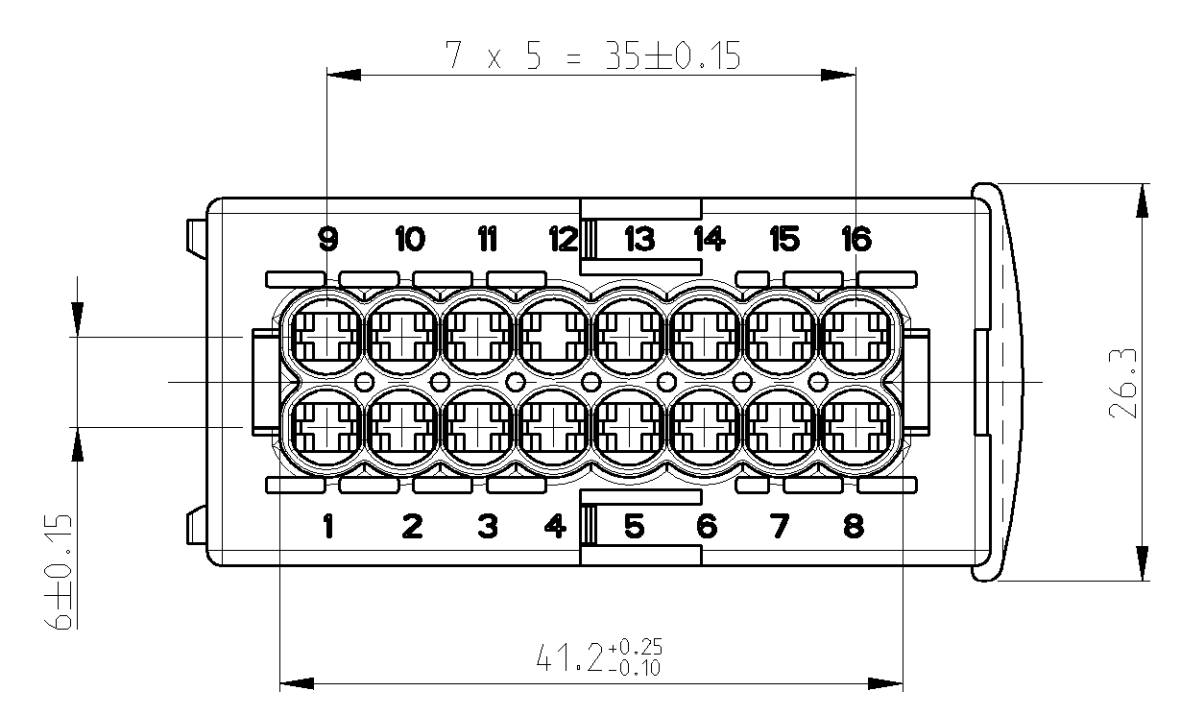


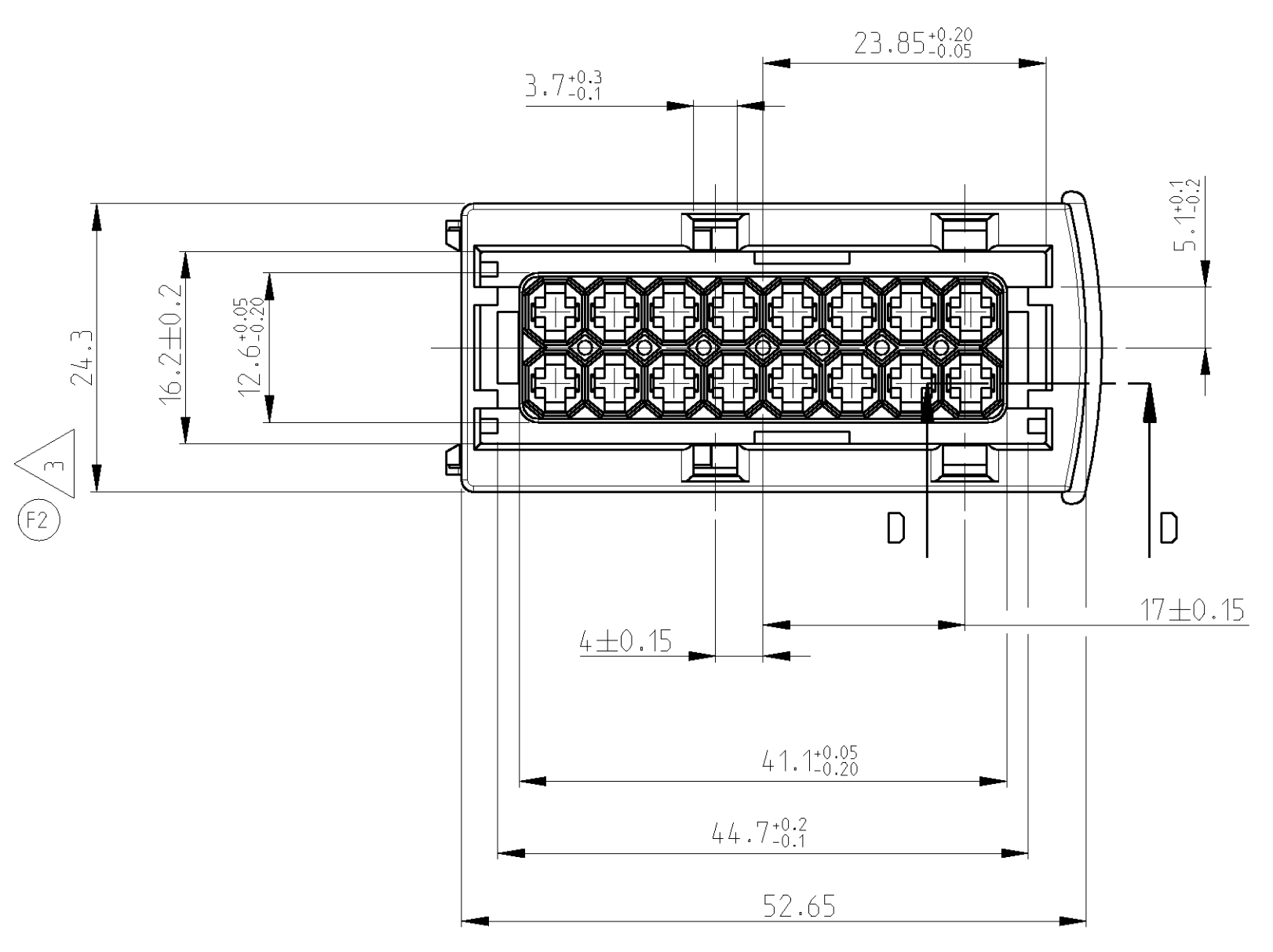
LOC	DIST	REVISIONS				
		P. LTR	DESCRIPTION	DATE	DRW	APVD
A1	-	E	SEE PCN EGA0-1080-04-03	06MAY2004	MD	TK
	F	SEE PCN EGA0-1860-04-01	17AUG2004	PK	TK	
	F1	CONTACT CHART MODIFIED	25JUL2005	SC	MP	
	F2	SEE E-05-009128	13OCT2005	MP	TK	



2:1

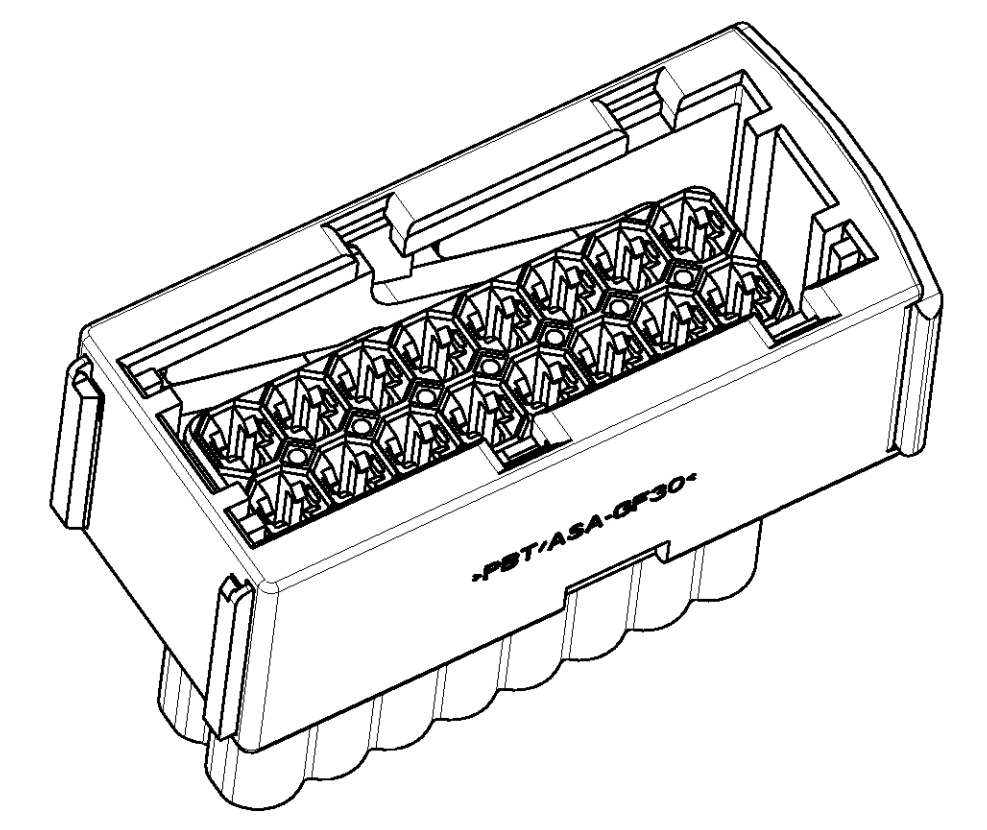
NOTES :

- 1 Au-VERSION OF CONTACT IS 1-xxxxxx-1
Au-Version des Kontaktes ist 1-xxxxxx-1
- F1 2 WATER TIGHTNESS ACC. GMI 12590; 5.10.3
FURTHER INFORMATIONS SEE PRODUCT SPECIFICATION 108-18102-1/...-9
Wasserdichtheit nach GMI 12590, 5.10.3
Weitere Informationen siehe Produktspezifikation 108-18102-1/...-9
- 3 Einfall bis auf 23.5mm zulässig
SHRINKAGE UP TO 23.5MM ALLOWED



JPT	ORDER-NO.	WIRE SIZE [mm ²]	MATERIAL	FINISH	SINGLE WIRE SEAL	COLOR	WATER-TIGHTNESS
JPT	0-0929937-1	1.5 - 2.5	CuFe 2	TINNED	0-0828905-1	WHITE	IPX 9K
JPT	0-0929939-1	0.75 - 1.0	CuFe 2	TINNED	0-0828904-1	LIGHT BLUE	IPX 9K
JPT	0-0929939-1	0.5	CuFe 2	TINNED	0-0963294-1	BLUE	IPX 9K
JPT	0-0929941-1	0.35	CuFe 2	TINNED	0-0963294-1	BLUE	IPX 9K

JPT	ORDER-NO.	WIRE SIZE [mm ²]	MATERIAL	FINISH	SINGLE WIRE SEAL	COLOR	WATER-TIGHTNESS
-	-	-	-	-	-	-	-
-	-	-	-	-	-	-	-
-	-	-	-	-	-	-	-
-	-	-	-	-	-	-	-
-	-	-	-	-	-	-	-
1-964449-1	1-967242-1 CODING A1	F	1 PBT/ASA-GF30	RED	SLIDE	2	
MATED WITH	AMP PART NO.	REV.	PCS	MATERIAL	COLOR	DESCRIPTION	ITEM NO.



2:1

DIMENSIONS: mm		TOLERANCES UNLESS OTHERWISE SPECIFIED:		DWN S. GARCIA 27-SEP-1993 ENR A. MACHILL 27-SEP-1993 APVD -		tyco Electronics tyco Electronics AMP GmbH 0-64625 Bensheim	
0 PLC ± 1 PLC H0.3 2 PLC H0.3 3 PLC H0.3 4 PLC ± ANGLES ±		PRODUCT SPEC 108-18102 APPLICATION SPEC 114-18175		NAME JPT Rec.-HOUSING , 16POS., ASSY JPT Bu.-Gehäuse, 16pol., Assy		SIZE CAGE CODE DRAWING NO RESTRICTED TO A1 00779 C=967242 -	
MATERIAL -		FINISH -		WEIGHT -		CUSTOMER DRAWING SCALE 2:1 SHEET 1 OF 1 REV F2	