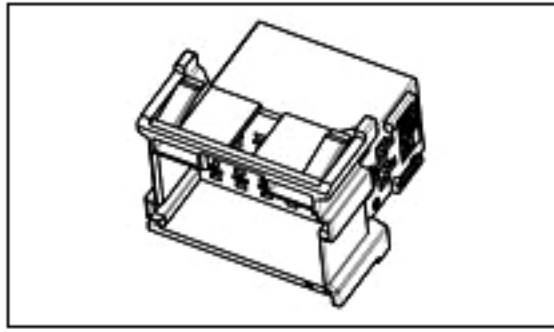


## 1-967630-5 Product Details

[Share](#) | 
 [Print](#) | 
 [Email](#)



1-967630-5

TE Internal Number: 1-967630-5  
 Active

[View 3D PDF](#)

### Timer Connectors

Always EU RoHS/ELV Compliant (Statement of Compliance)

#### Product Highlights:

- Connector
  - Housing
  - Connector Style = Plug
  - Not Preloaded
  - Contact Type = Tab
- [View all Features](#)

#### Quick Links

- ▶ [Pricing & Availability](#)
- ▶ [Search for Tooling](#)
- ▶ [Product Feature Selector](#)
- ▶ [Contact Us About This Product](#)

[Add to My Part List](#) | 
 [Request Sample](#) | 
 [Find Similar Products](#) | 
 [Buy Product](#)

### Documentation & Additional Information

#### Product Drawings:

- [PRODUCT GROUP DRAWING: TAB HOUSING \(2.8mm\), 6-21POS.... \(PDF, English\)](#)
- [2.8mm TAB HOUSING, 21POS. 2.8mm Tab Gehaeuse, 21pol. \(PDF, English\)](#)

#### Catalog Pages/Data Sheets:

- None Available

#### Product Specifications:

- None Available

#### Application Specifications:

- None Available

#### Instruction Sheets:

- None Available

#### CAD Files: (CAD Format & Compression Information)

- [2D Drawing \(DXF, Version E\)](#)
- [3D Model \(IGES, Version E\)](#)
- [3D Model \(STEP, Version E\)](#)

#### Additional Information:

- [Product Line Information](#)

#### Related Products:

- [Tooling](#)

[List all Documents](#)

### Product Features (Please use the Product Drawing for all design activity)

#### Product Type Features:

- Product Type = Connector
- Connector Type = Housing
- Type of Connector = 2.8, JPT

#### Dimensions:

- Mating Area Interface Dimensions (mm [in]) = 2.79 x 0.81 [.110 x .032]

#### Body Features:

- Connector Code = A

#### Contact Features:

- Contact Type = Tab

#### Housing Features:

- Connector Style = Plug
- Housing Material = PA 6.6
- Housing Color = Golden Yellow
- Centerline (mm [in]) = 5.00 [0.197]

#### Configuration Features:

- Preloaded = No
- Number of Positions = 21

#### Industry Standards:

- [RoHS/ELV Compliance](#) = RoHS compliant, ELV compliant
- [Lead Free Solder Processes](#) = Not relevant for lead free process
- [RoHS/ELV Compliance History](#) = Always was RoHS compliant

#### Other:

- Brand = AMP
- Comment = With Secondary Locking.

#### Corporate Information

- [About TE](#)
- [Investors](#)
- [News Room](#)
- [Supplier Portal](#)
- [Careers](#)
- [Terms & Conditions](#)
- [Privacy Policy](#)

#### Quick Links

- [Distributor Inventory](#)
- [Product Cross Reference](#)
- [Documents & Drawings](#)
- [Product Compliance Support Center](#)
- [Site Map](#)

#### Customer Support

- [Email or Chat With Us](#)
- [Find a Phone Number](#)
- [Knowledge Base](#)
- [Manage Your Account](#)

#### Keep Me Informed

Receive TE News, Events & Technology Updates

Enter your email address  [>](#)

