

Receptacle Housings

**Technical Features**

**No. of Positions:**

2 Positions

**Housing Material:**

PBT GF15

**Wire Size Range:**

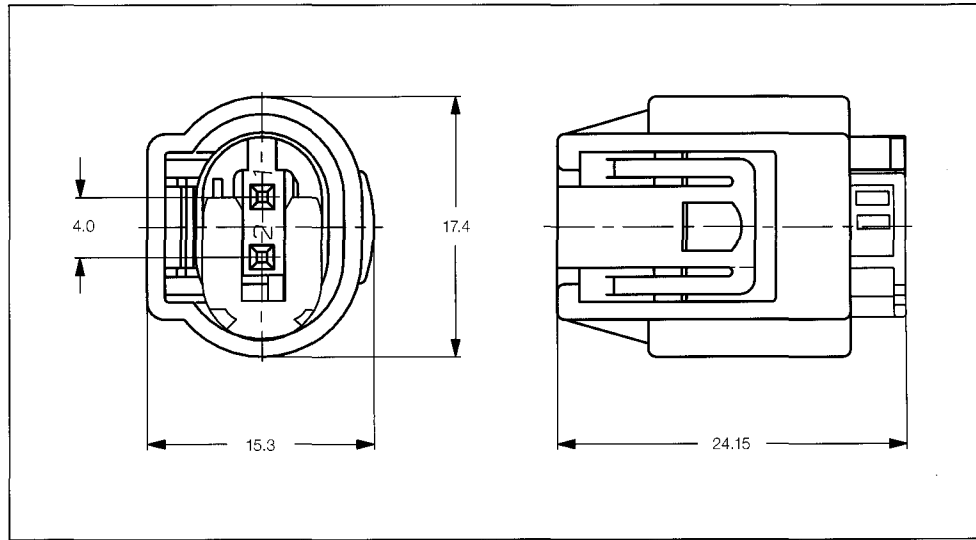
0.2–0.75 mm<sup>2</sup>

**Product Specification:**

108-18272-0

**Application Specification:**

114-18061



**2 Position Receptacle Housings**

No. of Pos.	Keying Options	Housing Color	Part Numbers							
			Receptacle Housing	Cover	Locking Device	Cover and Lever	Retainer Housing	Mating Tab Housing	Mating PCB Header Right-Angle	Mating PCB Header Vertical
2	A	Black	1-967644-1	-	-	-	-	-	-	-
	B	Grey	2-967644-1	-	-	-	-	-	-	-

**Technical Features**

**No. of Positions:**

2 Positions

**Housing Material:**

PA 66 GF

**Wire Size Range:**

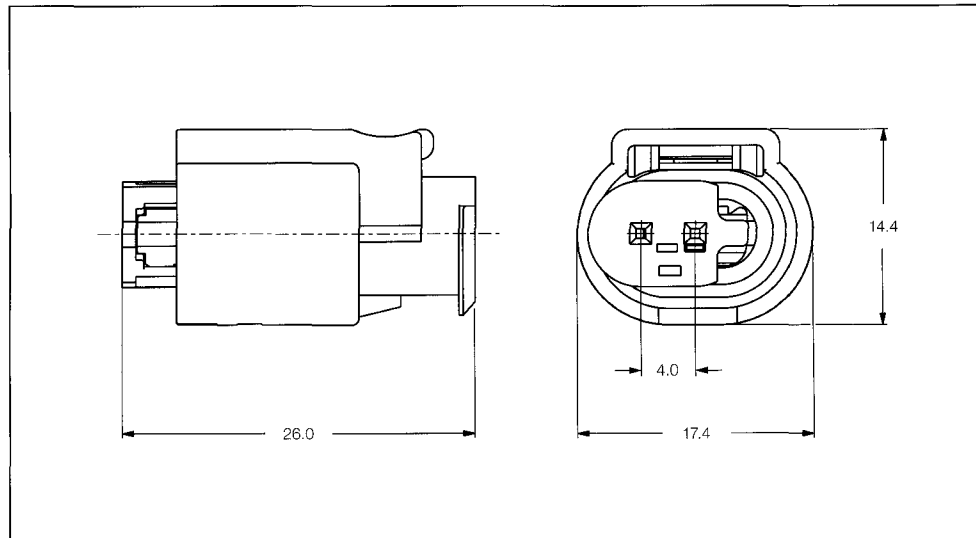
0.35–0.75 mm<sup>2</sup>

**Product Specification:**

108-20234

**Application Specification:**

411-20066



**2 Position Receptacle Housing**

No. of Pos.	Keying Options	Housing Color	Part Numbers							
			Receptacle Housing	Cover	Locking Device	Cover and Lever	Retainer Housing	Mating Tab Housing	Mating PCB Header Right-Angle	Mating PCB Header Vertical
2	A	Black	284703-1	-	-	-	-	-	-	-