

Sealed 2.8 Tab Housings

Technical Features

No. of Positions:

39 Positions

Housing Material:

PBT-GF20

Wire Size Range:

AMP MCP 2.8 Tab
2.5 mm² FLR Max.

Extraction Tools:

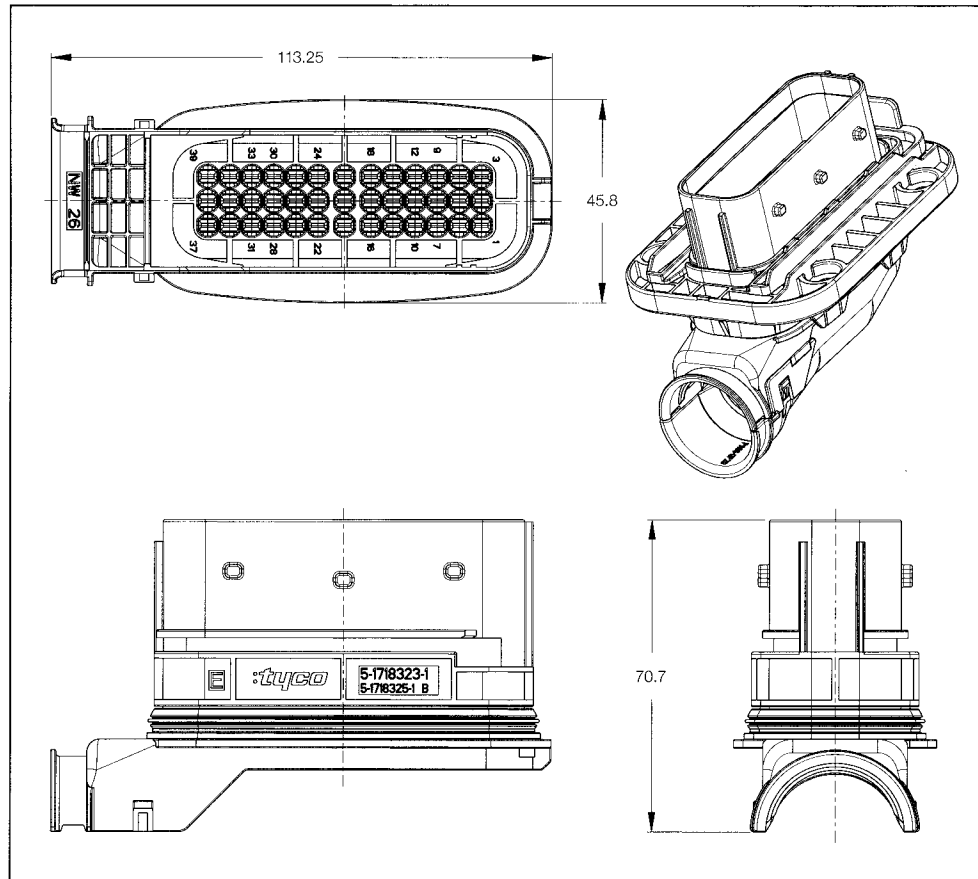
Part No. **1-1579007-2**
dependent on the contact

Product Specification:

108-18946

Application Specification:

114-18660



Sealed Tab Housings

No. of Positions	Keying Options	Housing Color	Part Numbers				
			Tab Housing	Cover	Adapter	Locking Slide	Mating Receptacle Housing
39	E	Emerald Green	5-1718323-1	1418882-1	1718329-1	1718328-1	5-1718321-3