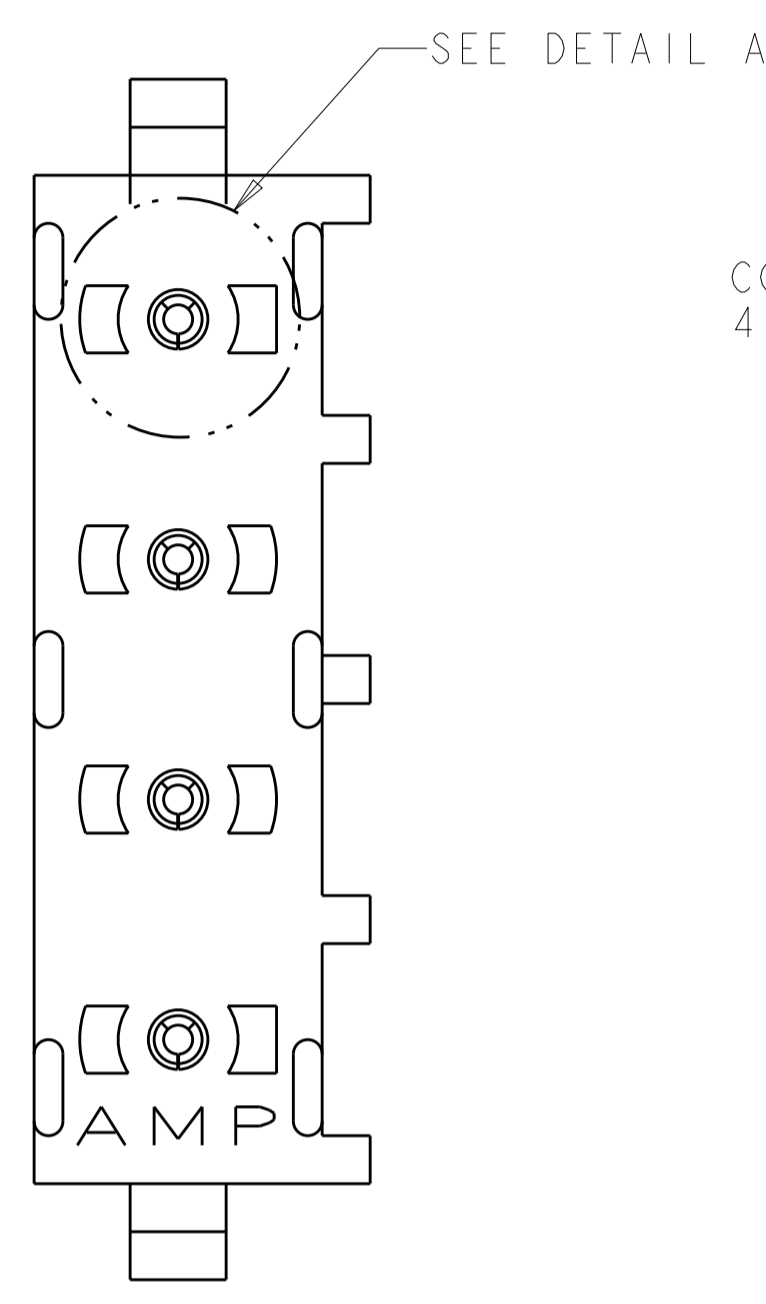
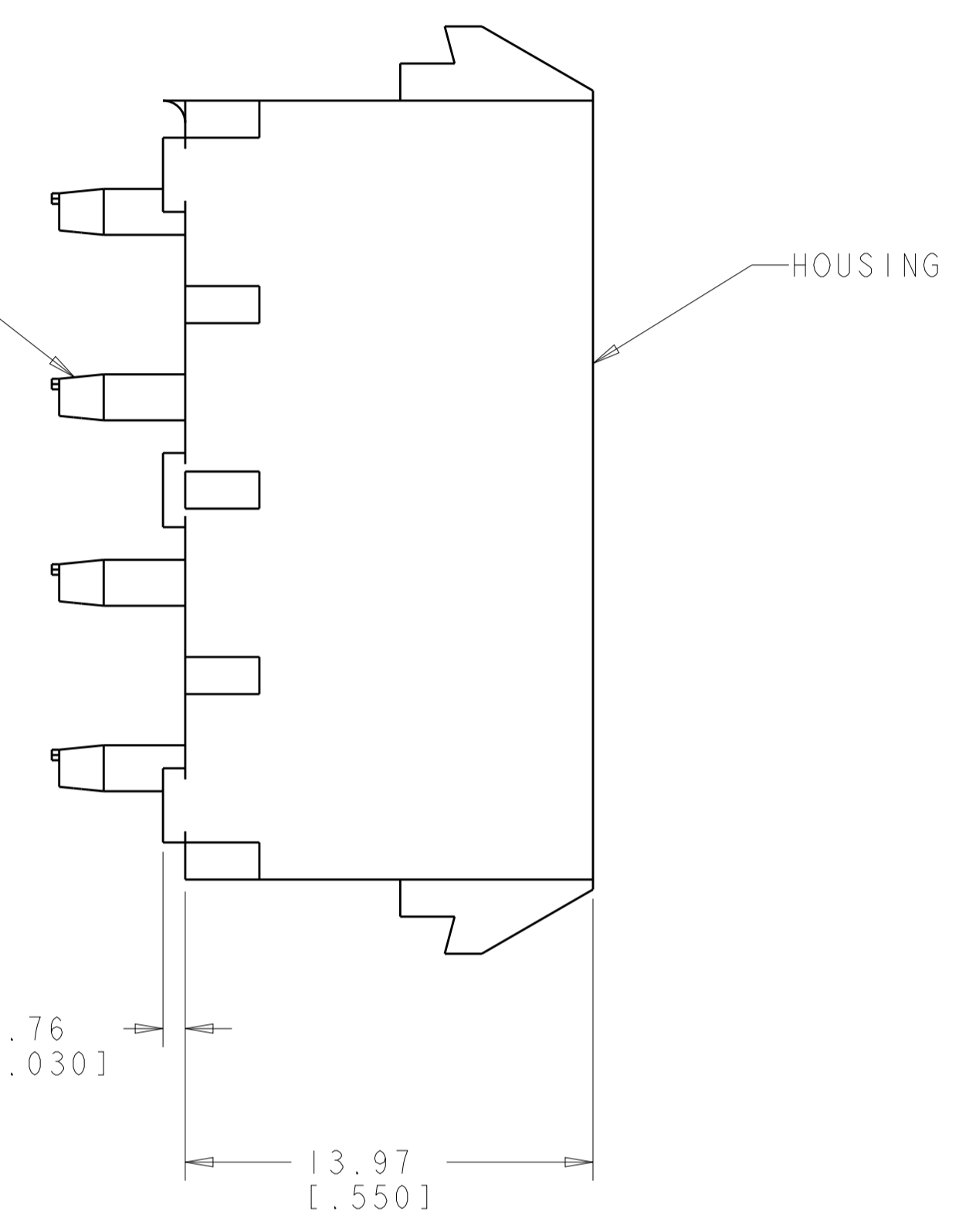


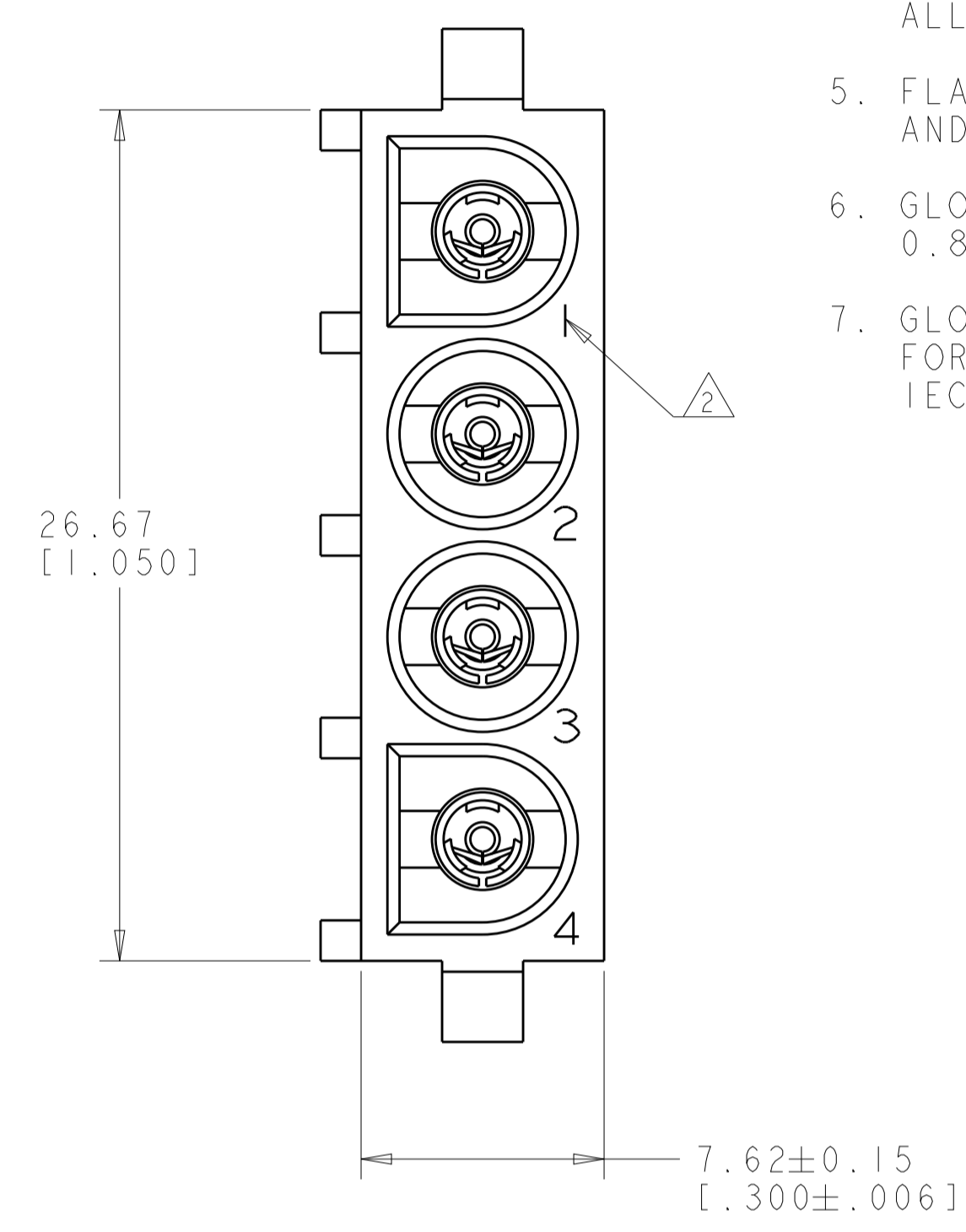
REVISIONS				
P.	LTN	DESCRIPTION	DATE	APVD
A1		REVISED PER ECR-17-007706	05JUL2017	JB SD



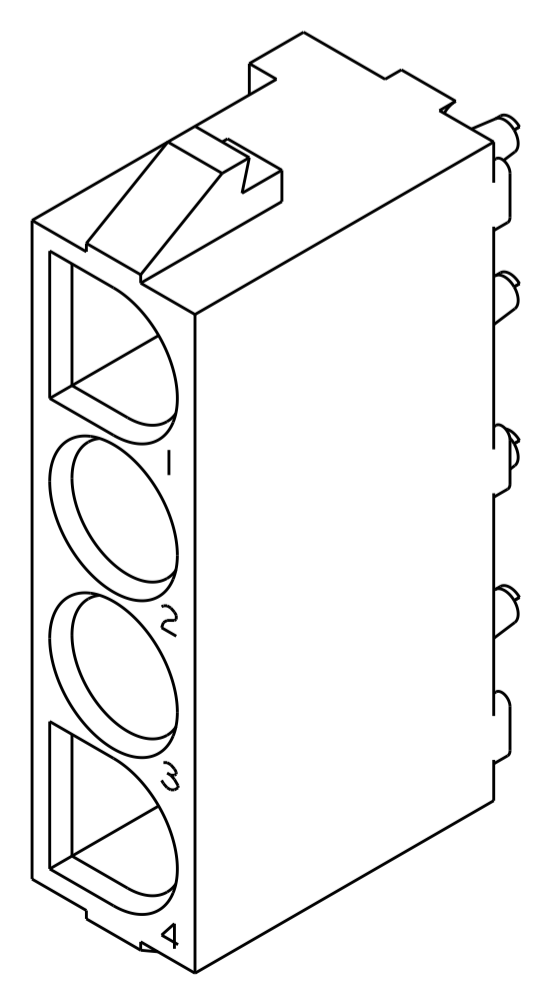
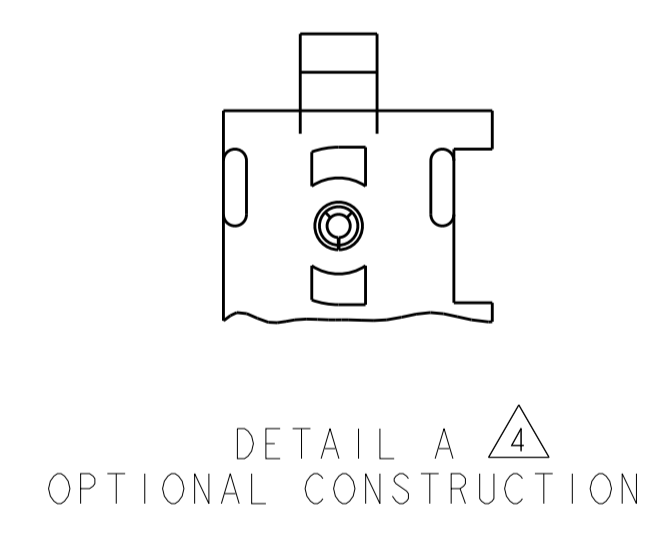
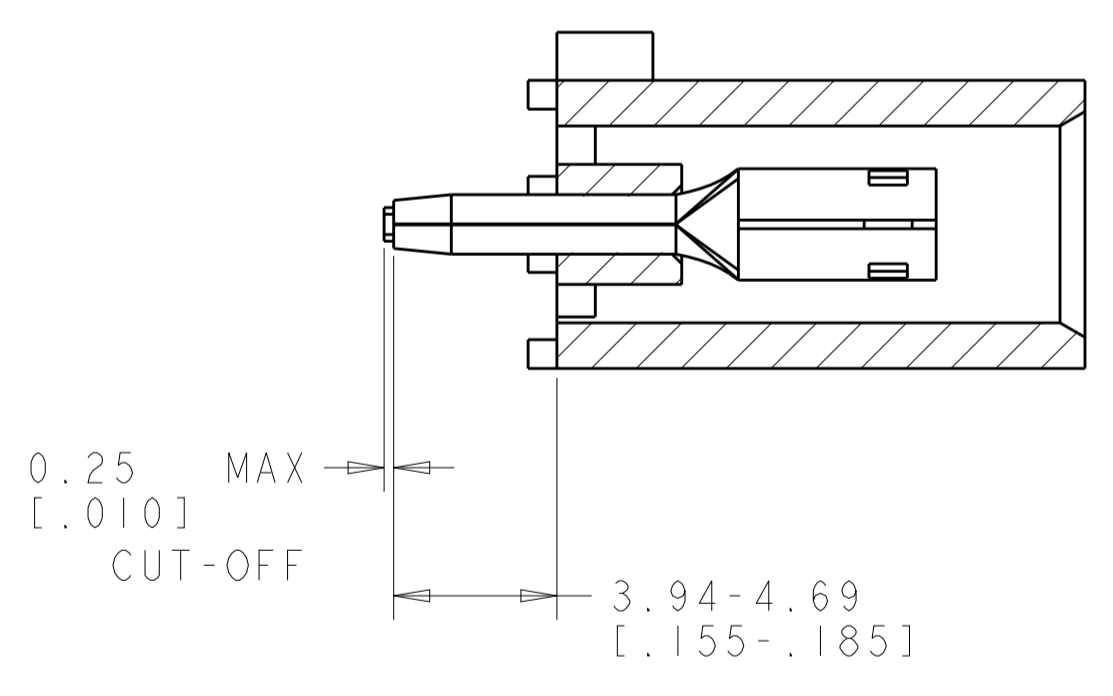
CONTACT  
4 REQ'D



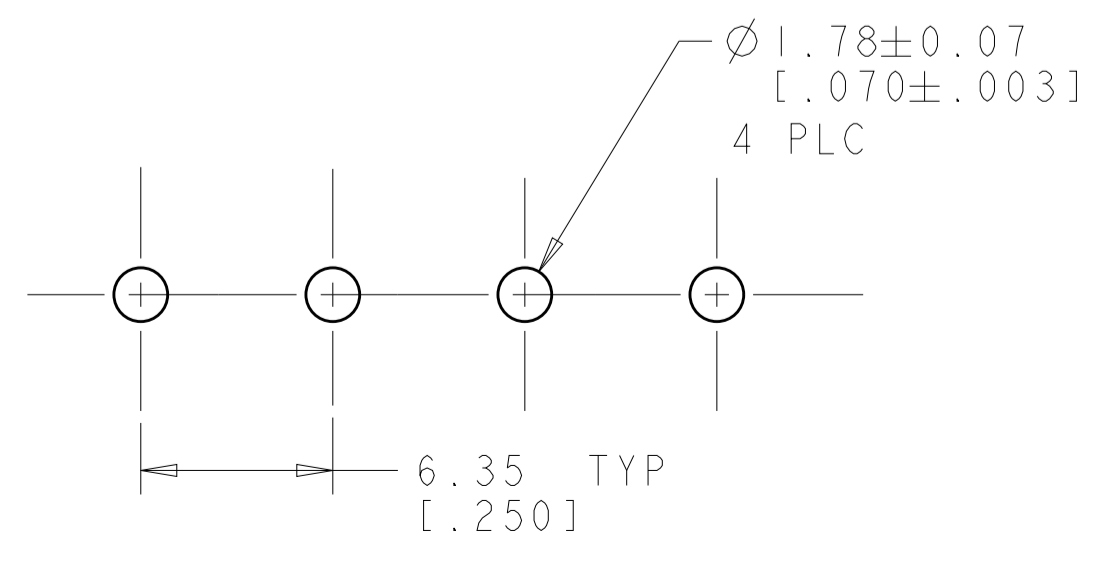
HOUSING



- PARTS COMPLY TO AMP SOLDERABILITY SPECIFICATION 109-11-2.
- $\triangle$  CIRCUIT IDENTIFICATION CHARACTERS ARE ADJACENT TO THE INDICATED CAVITIES, BUT LOCATION AND ORIENTATION MAY DIFFER FROM PRINT.
- DIMENSIONS IN BRACKETS ARE IN INCHES.
- $\triangle$  DRAIN HOLES LOCATED AS SHOWN. OPTIONAL CONSTRUCTION - ALL DRAIN HOLES LOCATED 90° AS SHOWN IN DETAIL A.
- FLAMMABILITY UL V-0 FOR THICKNESS 0.4, 0.45, 0.8, 1.6, AND 3.0 PER IEC 60695-11-10.
- GLOW WIRE FLAMMABILITY (GWF1): 960°C FOR THICKNESS 0.45, 0.8, 1.6, AND 3.0 PER IEC 60695-2-12.
- GLOW WIRE IGNITION (GWIT): 825°C FOR THICKNESS 0.45, 800°C FOR THICKNESS 0.8, 775°C FOR THICKNESS 1.6 AND 3.0 PER IEC 60695-2-13.



3 DIMENSIONAL MODEL  
SCALE 4:1



RECOMMENDED MOUNTING HOLE PATTERN  
FOR 1.57 [.062] THICK P.C. BOARD

PHOSPOR BRONZE, PRE-TIN PIN CONTACT MATERIAL AND FINISH		NYLON, UL V-0 GW, NATURAL HOUSING MATERIAL AND COLOR		1969804-1 PART NUMBER
THIS DRAWING IS A CONTROLLED DOCUMENT.		DWN: BASVESH WARD 25DEC2015 CHK: WICKES, EVAN 25DEC2015 APVD: WICKES, EVAN 25DEC2015		TE Connectivity NAME: SOCKET HEADER ASSEMBLY, 4 CIRCUIT, W/DRAIN HOLES, UNIVERSAL MATE-N-LOK(TM) SIZE: CAGE CODE DRAWING NO: A100779 ©=1969804 RESTRICTED TO:
DIMENSIONS: mm [INCHES]	TOLERANCES UNLESS OTHERWISE SPECIFIED:	PRODUCT SPEC	APPLICATION SPEC	
MATERIAL: SEE TABLE	FINISH: SEE TABLE	WEIGHT: -	CUSTOMER DRAWING	
SCALE: 5:1		SHEET 1 OF 1		REV: A1