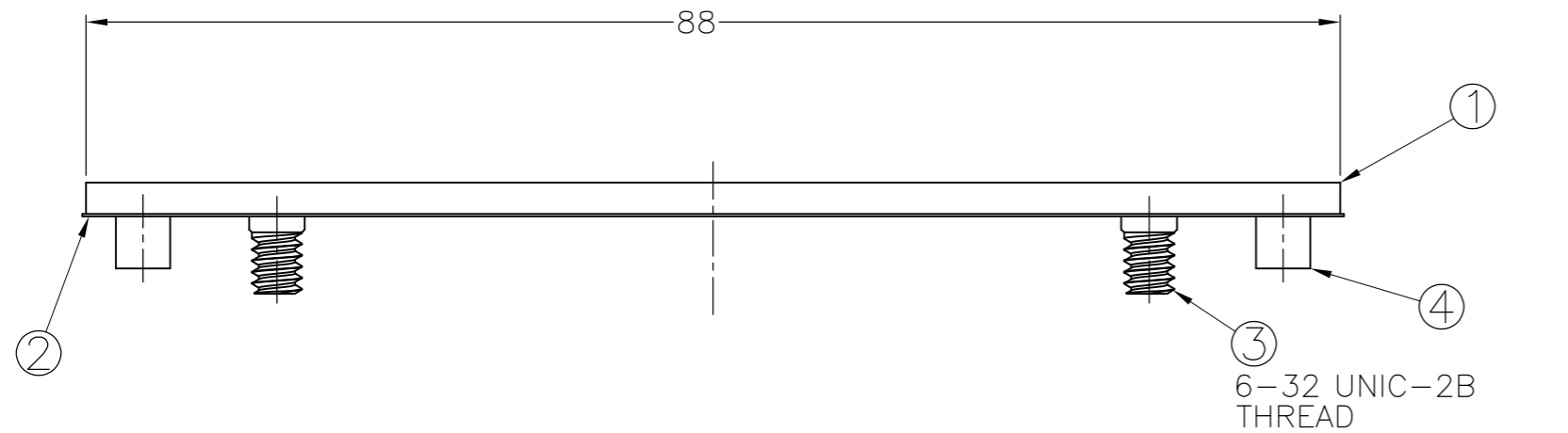
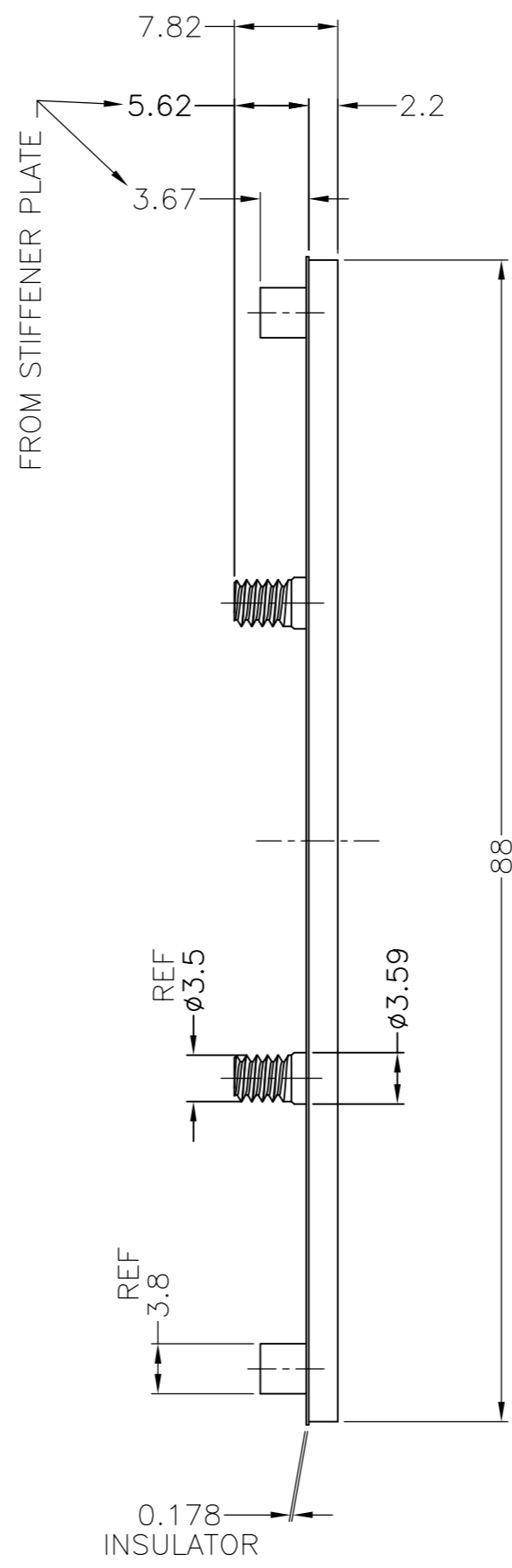
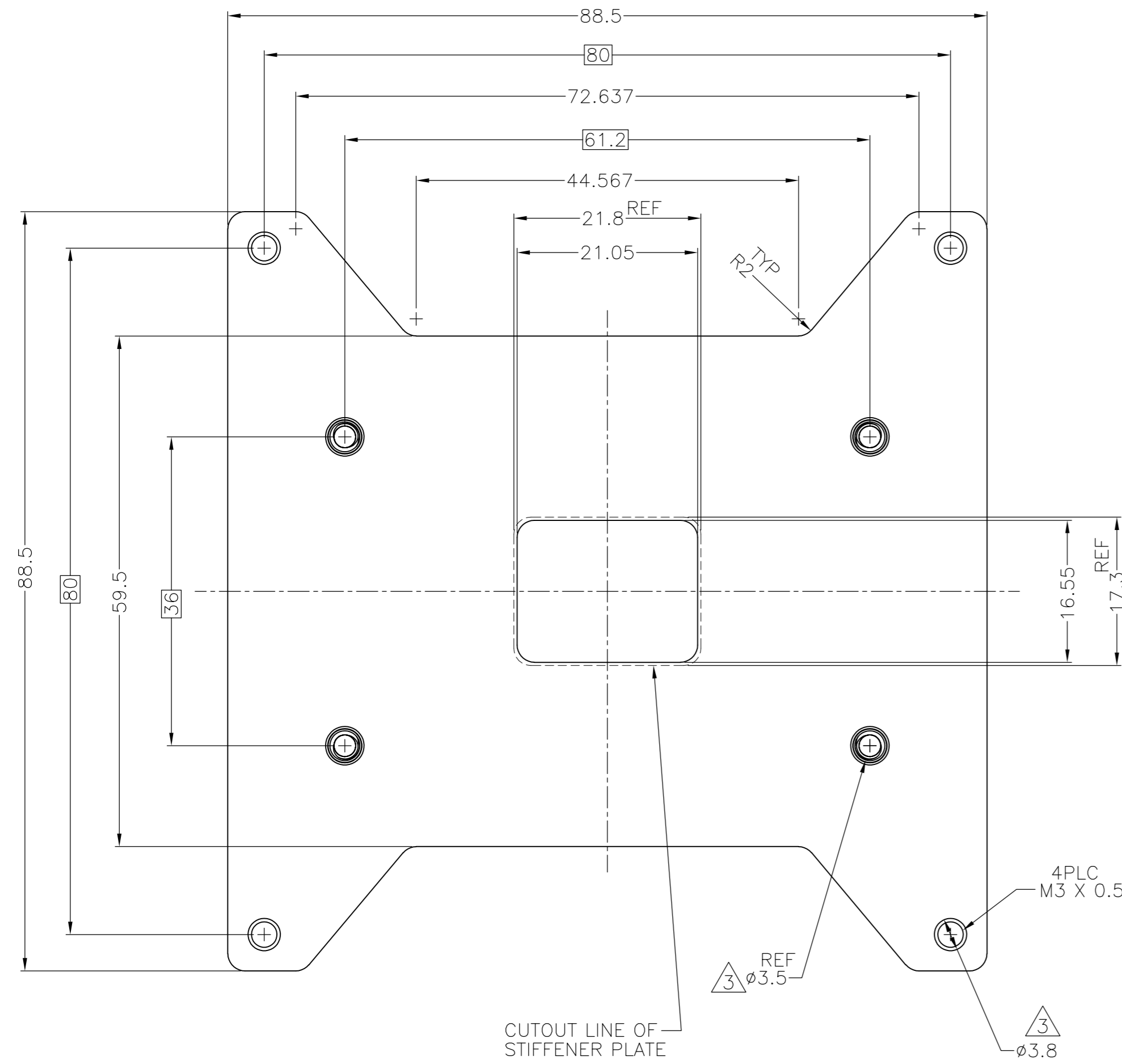


THIS DRAWING IS UNPUBLISHED. RELEASED FOR PUBLICATION
 © COPYRIGHT BY TYCO ELECTRONICS CORPORATION. ALL INTERNATIONAL RIGHTS RESERVED.

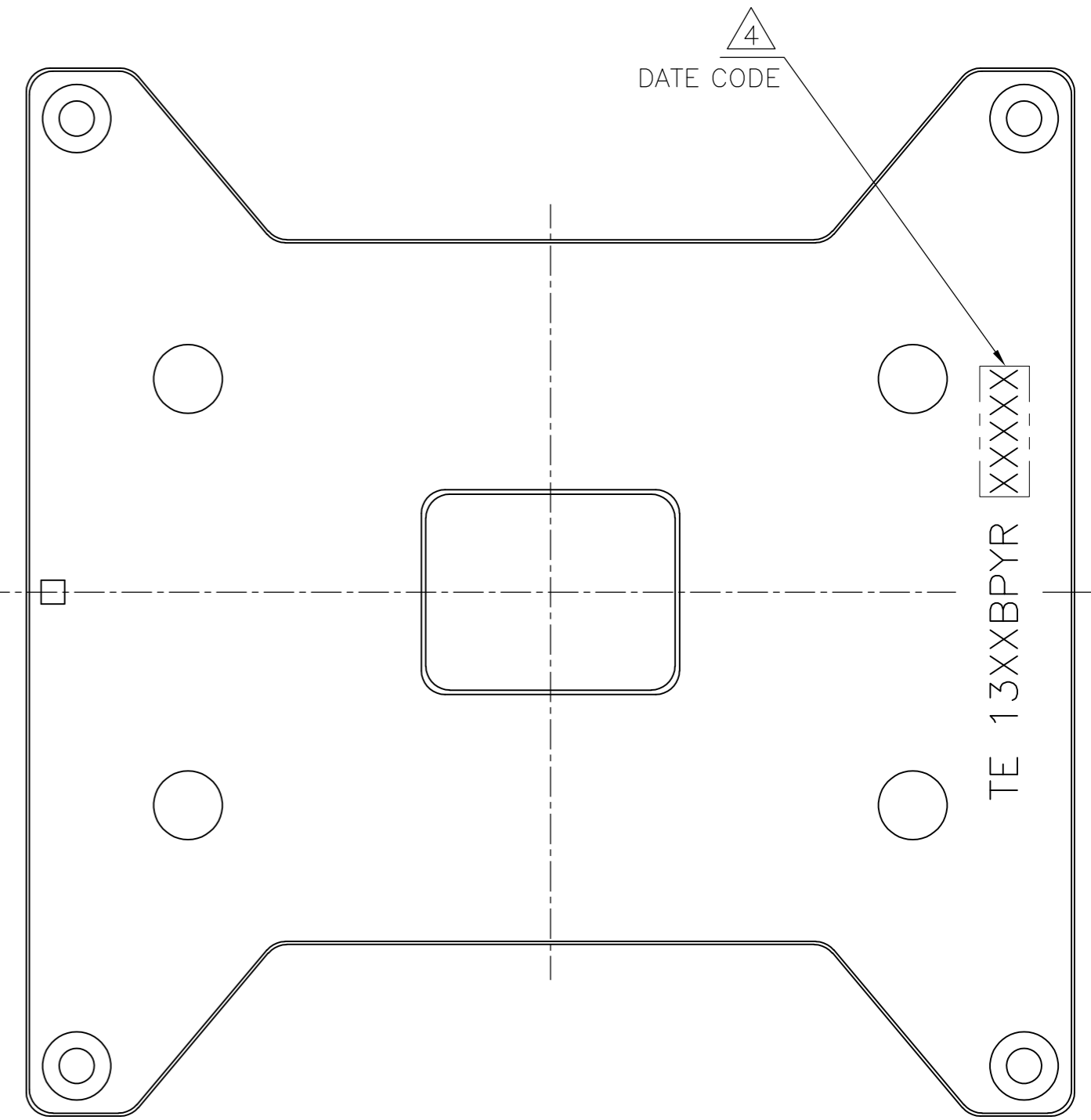
LOC	DIST	REVISONS					
		P	LTR	DESCRIPTION	DATE	DWN	APVD
		H		REVISED	27SEP'10	S.A	S.H



6-32 UNIC-2B
 THREAD



- MATERIAL
 - ① STIFFENER PLATE: STEEL
FINISH: NICKEL PLATING
 - ② INSULATOR: POLYCARBONATE FILM PLUS ACRYLIC ADHESIVE LAYER
 - ③ STUD BOLT: STEEL
FINISH: NICKEL PLATING
 - ④ FEMALE NUT: SUS
- ASSEMBLED WITH ILM ASSY (DRAWING NUMBER: 1939738)
 - ③ THE STUD BOLTS AND FEMALE NUTS SHALL BE ADAPTED TO PCB LAYOUT FOR SOCKET ASSY LGA1366 OR SOCKET ASSY LGA1356 (DRAWING NUMBER: 1981837 OR 1554116)
 - ④ INDICATED DATE CODE ON THE STIFFENER PLATE



1981467-1
 PART NUMBER

THIS DRAWING IS A CONTROLLED DOCUMENT.		DWN H.TAGUCHI 22SEP2008	Tyco Electronics Corporation Kawasaki, Japan	
DIMENSIONS: 単位: 寸 mm		CHK S.HASHIMOTO 17DEC2007	NAME S.HASHIMOTO	
TOLERANCES UNLESS OTHERWISE SPECIFIED: 一般公差		APVD S.HASHIMOTO 17DEC2007	PRODUCT SPEC 製品規格	
0 PLC ±		APPLICATION SPEC 取付適用規格		
1 PLC ± ±0.3		SIZE A2		
2 PLC ± ±3°		CAGE CODE 00779		
3 PLC ±		DRAWING NO C=1981467		
4 PLC ±		RESTRICTED TO -		
ANGLES 仕上		WEIGHT 104g		
MATERIAL 材料		SCALE 2:1		
		SHEET 1 OF 1		
		REV H		

1981467-1 : AS SHOWN

Mouser Electronics

Authorized Distributor

Click to View Pricing, Inventory, Delivery & Lifecycle Information:

[TE Connectivity:](#)

[1981467-1](#)