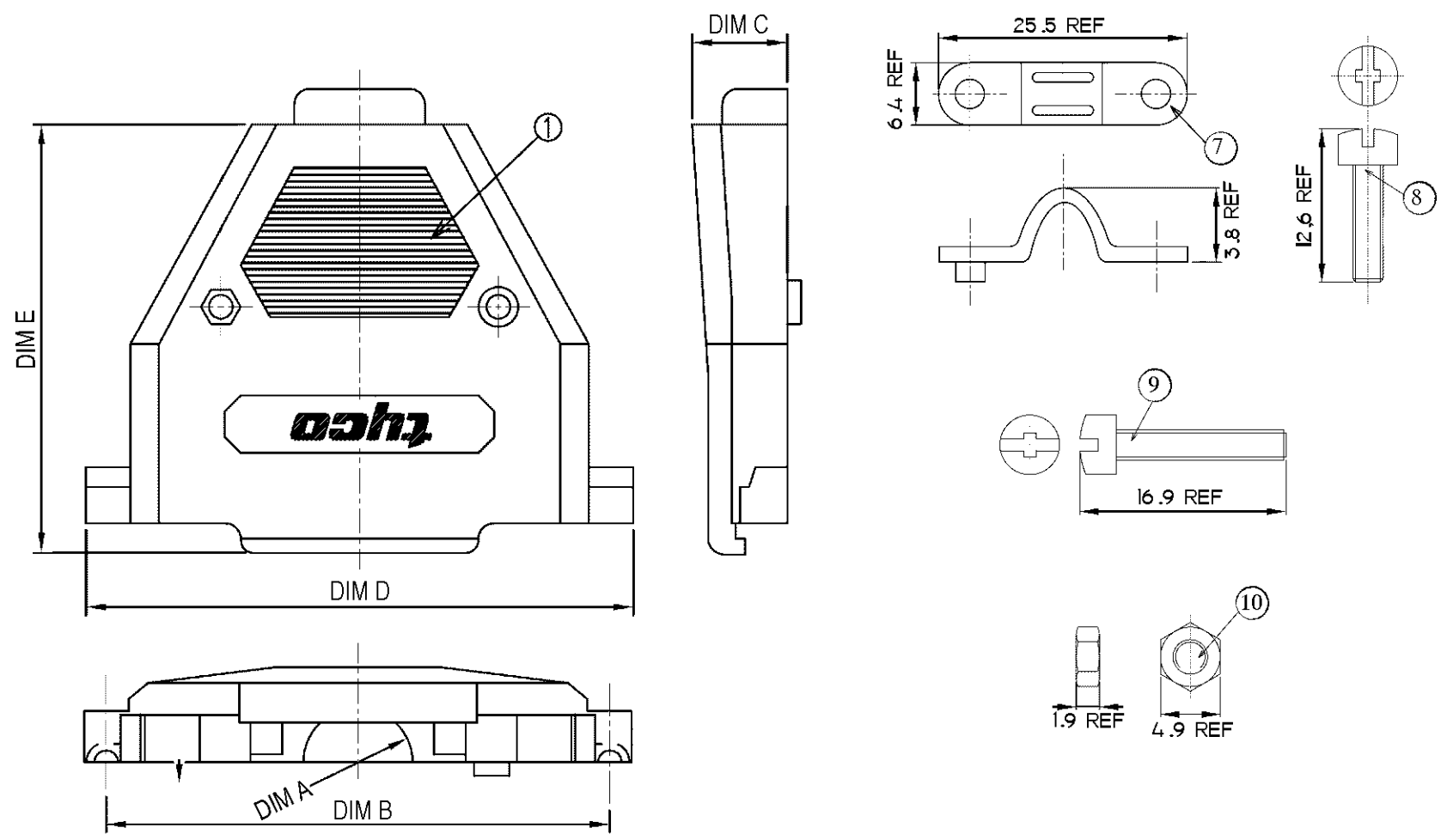
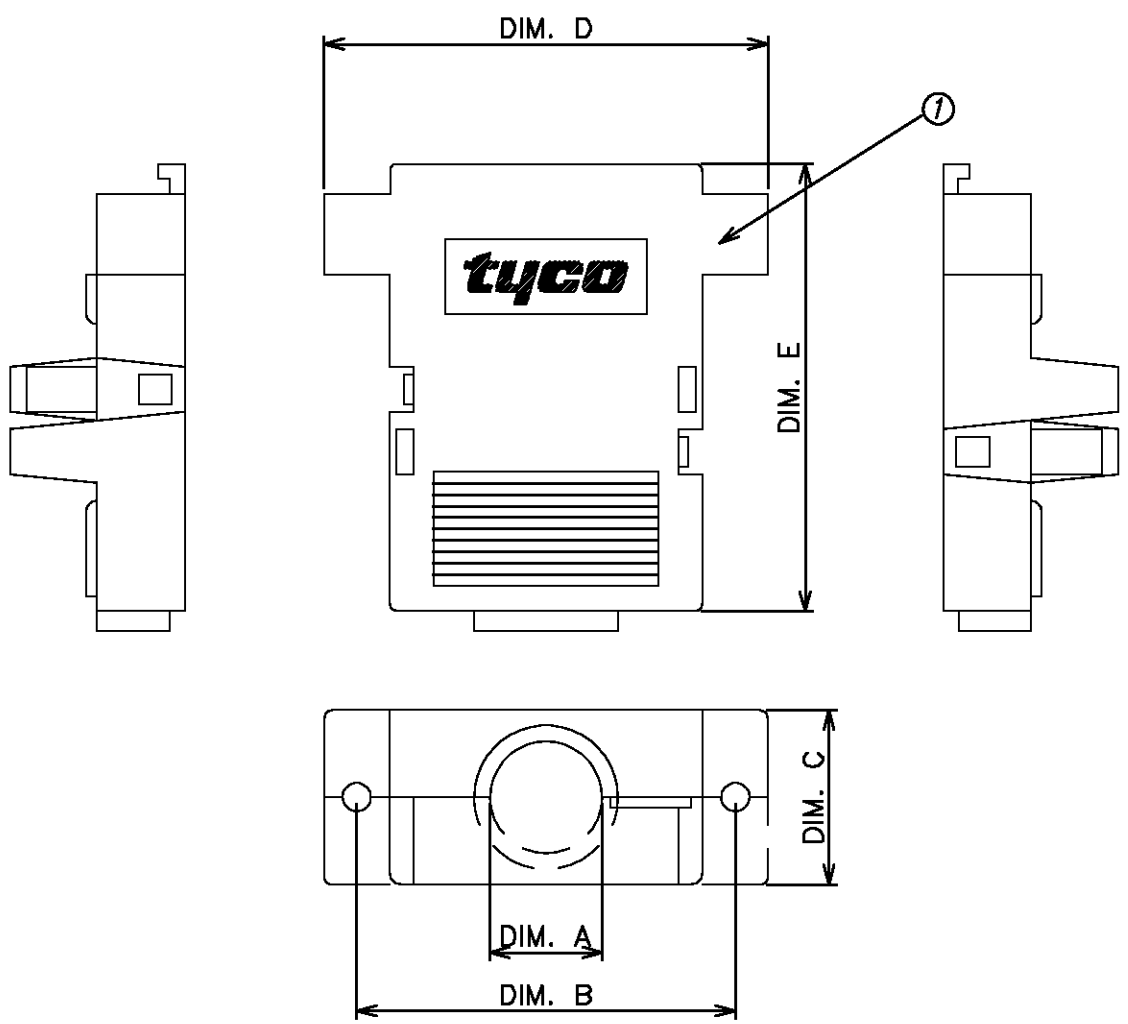
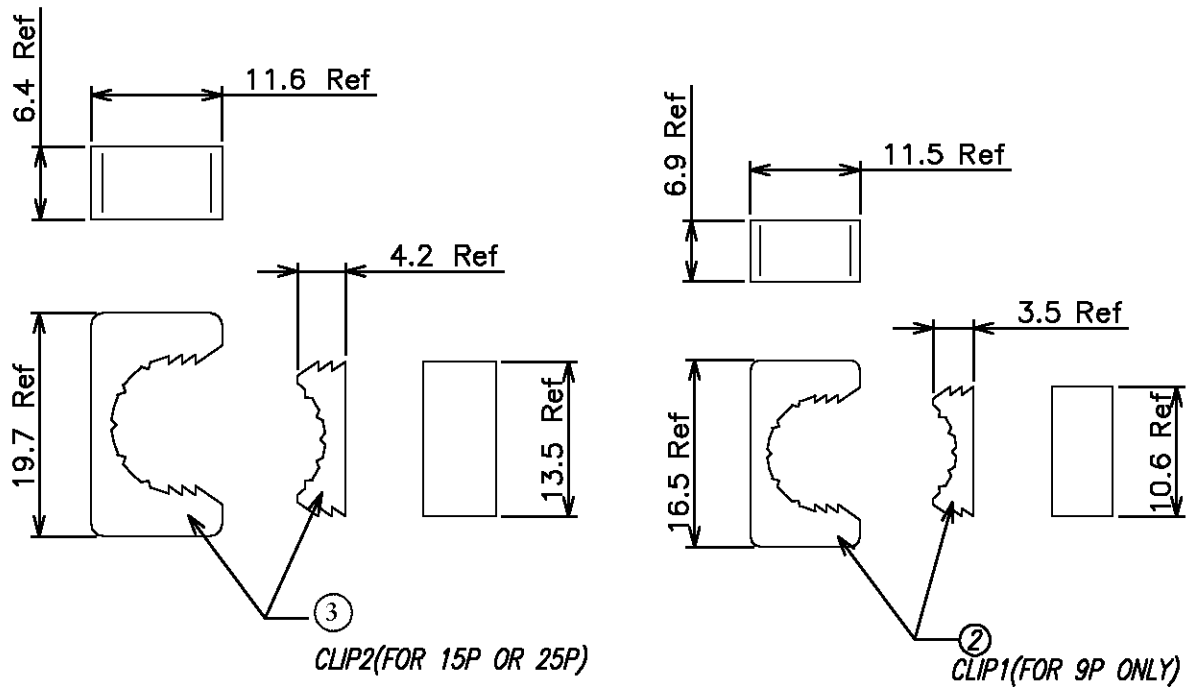


THIS DRAWING IS UNPUBLISHED. RELEASED FOR PUBLICATION
 © COPYRIGHT BY TYCO ELECTRONICS CORPORATION. ALL RIGHTS RESERVED.

LOC	DIST	REVISIONS			
P	LTR	DESCRIPTION	DATE	DWN	APVD
	A1	ECR-07-005813	13 MAR 07	JvdH	TdB
	B	ECR-07-013012	01JUN07	DC	TdB



37 - POSITION COVER KIT



9, 15 AND 25 - POSITION COVER KIT

TABLE A: ENVELOPE DIMENSIONS

POS.	DIM. A	DIM. B	DIM. C	DIM. D	DIM. E
09	8.3	24.4	15.6	30.8	39.2
15	11.4	33.3	15.6	39.2	39.5
25	11.0	46.8	16.8	53.6	42.1
37	13.8	63.5	12.0	69.0	51.0

SEE TABLE B
PART NUMBER

THIS DRAWING IS A CONTROLLED DOCUMENT.

DWN: J.V.D.HEIJDEN 15DEC2006
 CHK: D.CAMPSCHROER
 APVD: T.DE BOER
 PRODUCT SPEC: -
 APPLICATION SPEC: -
 WEIGHT: -

tyco Electronics Tyco Electronics, Nederland BV
 's-Hertogenbosch, Netherlands

NAME: D-SUB COVER SINGLE EXIT

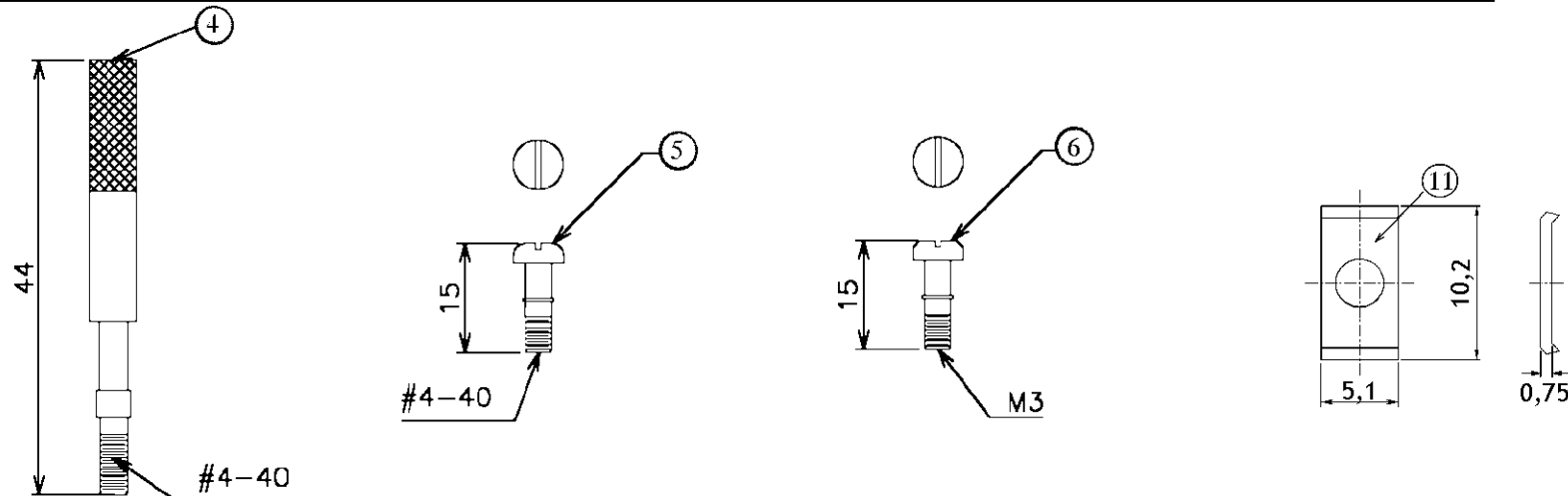
SIZE: A3 CAGE CODE: 00779 DRAWING NO: C-1982208 RESTRICTED TO: -

CUSTOMER DRAWING SCALE: NTS SHEET: 1 OF 3 REV: B

THIS DRAWING IS UNPUBLISHED. RELEASED FOR PUBLICATION

© COPYRIGHT BY TYCO ELECTRONICS CORPORATION. ALL RIGHTS RESERVED.

LOC	DIST	REVISIONS					
		P	LTR	DESCRIPTION	DATE	DWN	APVD
			A1	ECR-07-005813	13 MAR 07	JvdH	TdB
			B	ECR-07-013012	01 JUN 07	DC	TdB



- NOTES:
 1. MATERIAL: SEE TABLE B
 2. FINISH: SEE TABLE B
 3. NET WEIGHT : SEE TABLE C
 4. BODY ENVELOPE DIMENSIONS SEE TABLE A

TABLE B :

PART NUMBER	09 POS	1982208	-1																			
	15 POS	1982209		-1																		
	25 POS	1982210				-1																
	37 POS	1982553																				
ITEM	DESCRIPTION	QTY	QTY	QTY	QTY	QTY	QTY	QTY	QTY	QTY	QTY	QTY	QTY	QTY	QTY	QTY	QTY	QTY	QTY	MATERIAL	FINISH	
1	BODY	2	2	2	2	2	2	2	2	2	2	2	2	2	2	2	2	2	2	2	ABS	30µ" MIN NICKELPLATED 30µ" CU MIN UNDERPLATED ALL OVER
2	CLIP 1	1				1					1				1						ABS	
3	CLIP 2		1	1			1	1			1	1			1	1					STEEL	30µ" MIN NICKELPLATED 30µ" CU MIN UNDERPLATED ALL OVER
4	#4-40 UNC LONG SCREW						2	2	2	2											STEEL	30µ" MIN NICKELPLATED 30µ" CU MIN UNDERPLATED ALL OVER
5	#4-40 UNC SHORT SCREW										2	2	2	2							STEEL	30µ" MIN NICKELPLATED 30µ" CU MIN UNDERPLATED ALL OVER
6	M3 SHORT SCREW														2	2	2	2			STEEL	30µ" MIN NICKELPLATED 30µ" CU MIN UNDERPLATED ALL OVER
7	STRAIN RELIEF CLIP					2					2				2						STEEL	30µ" MIN NICKELPLATED 30µ" CU MIN UNDERPLATED ALL OVER
8	#4-40 UNC 12,6 SCREW					2					2				2						STEEL	30µ" MIN NICKELPLATED 30µ" CU MIN UNDERPLATED ALL OVER
9	#4-40 UNC 16,9 SCREW					2					2				2						STEEL	30µ" MIN NICKELPLATED 30µ" CU MIN UNDERPLATED ALL OVER
10	#4-40 UNC HEX NUT					2					2				2						STEEL	30µ" MIN NICKELPLATED 30µ" CU MIN UNDERPLATED ALL OVER
11	WASHER PLATE									2	2				2	2					STEEL	30µ" MIN NICKELPLATED 30µ" CU MIN UNDERPLATED ALL OVER

THIS DRAWING IS A CONTROLLED DOCUMENT.

DIMENSIONS: mm

TOLERANCES UNLESS OTHERWISE SPECIFIED:

0 PLC	± -
1 PLC	± 0,3
2 PLC	± 0,2
3 PLC	± -
4 PLC	± -
ANGLES	± 3'

MATERIAL: - FINISH: -

DWN: J.V.D.HEIJDEN 15DEC2006
 CHK: D.CAMPSCHROER
 APVD: T.DE BOER
 PRODUCT SPEC: -
 APPLICATION SPEC: -
 WEIGHT: -

tyco Electronics Tyco Electronics, Nederland BV 's-Hertogenbosch, Netherlands

NAME: D-SUB COVER SINGLE EXIT

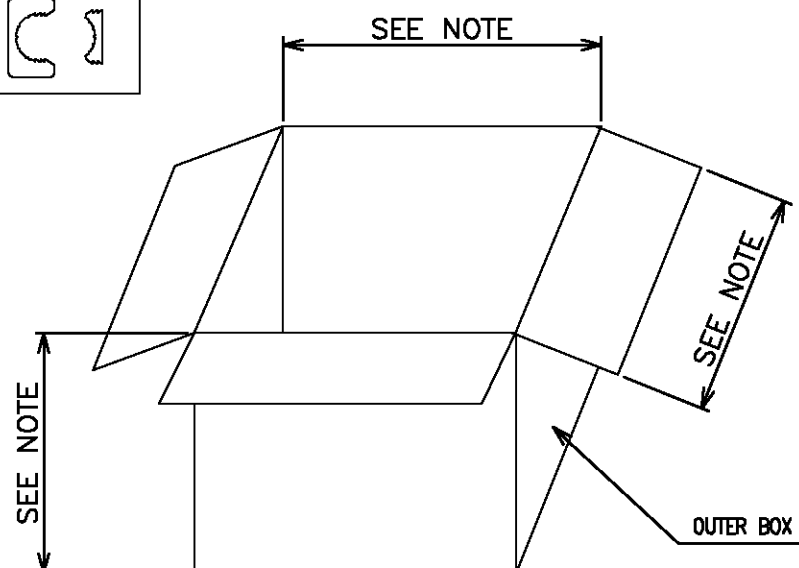
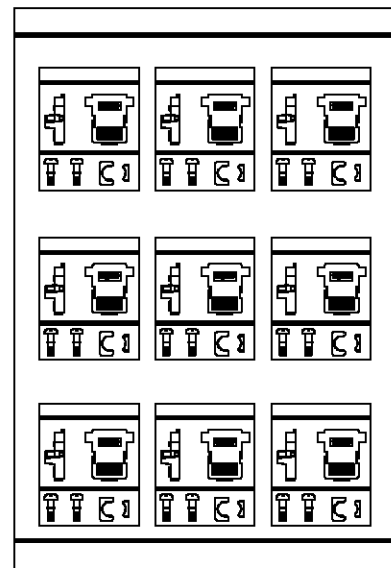
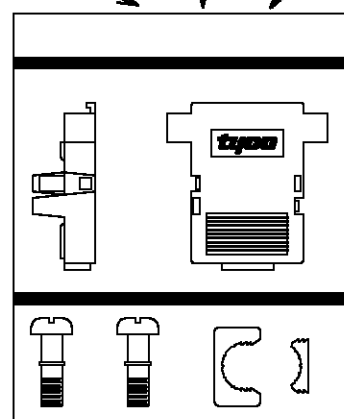
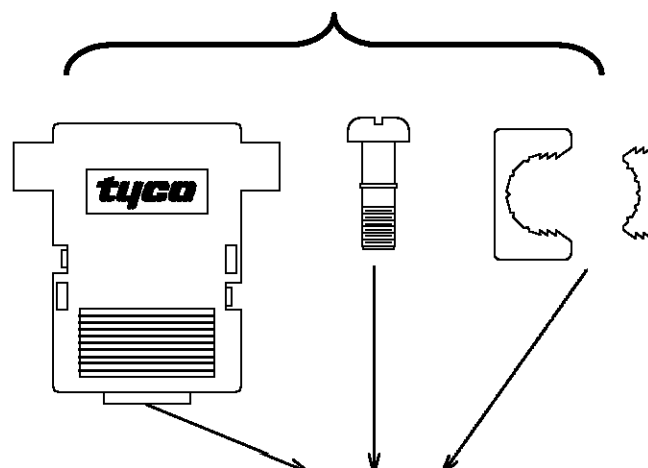
SIZE: A3 CAGE CODE: 00779 DRAWING NO: C-1982208 RESTRICTED TO: -

CUSTOMER DRAWING SCALE: 1:1 SHEET: 2 OF 3 REV: B

THIS DRAWING IS UNPUBLISHED. RELEASED FOR PUBLICATION
 © COPYRIGHT BY TYCO ELECTRONICS CORPORATION. ALL RIGHTS RESERVED.

LOC	DIST	REVISIONS					
		P	LTR	DESCRIPTION	DATE	DWN	APVD
			A1	ECR-07-005813	13 MAR 07	JvdH	TdB
			B	ECR-07-013012	01 JUN 07	DC	TdB

FOR COMPONENTS PER KIT
SEE TABLE B



NOTES :

- DIMENSION:
 CARTON: 9POS 458X351X358mm
 15POS 412X264X364 mm
 25POS 420X294X355 mm
 37POS 458X351X358 mm
- QUANTITY: SEE TABLE C
- WEIGHT: SEE TABLE C
- PACKAGE SPEC REFERENCE TO 107-115 Rev-W

TABLE C:

TYCO-ELECTRONICS PARTNUMBER	SET/BAG	PACKAGING QUANTITY/BOX	NW(Kg)	GW(Kg)
1982208-1	50	1000 SET/BOX	5.0	6.0
1982208-2	50	1000 SET/BOX	13.0	14.0
1982208-3	50	1000 SET/BOX	7.0	8.0
1982208-4	50	1000 SET/BOX	7.0	8.0
1982209-1	50	500 SET/BOX	8.0	9.0
1982209-2	50	500 SET/BOX	12.0	13.0
1982209-3	50	500 SET/BOX	9.0	10.0
1982209-4	50	500 SET/BOX	9.0	10.0
1982210-1	50	500 SET/BOX	9.0	10.0
1982210-2	50	500 SET/BOX	13.0	14.0
1982210-3	50	500 SET/BOX	10.0	11.0
1982210-4	50	500 SET/BOX	10.0	11.0
1982553-1	50	500 SET/BOX	11.0	12.0
1982553-2	50	500 SET/BOX	15.0	16.0
1982553-3	50	500 SET/BOX	12.0	13.0
1982553-4	50	500 SET/BOX	12.0	13.0

THIS DRAWING IS A CONTROLLED DOCUMENT.		DWN J.V.D.HEIJDEN 15DEC2006	Tyco Electronics, Nederland BV 's-Hertogenbosch, Netherlands	
DIMENSIONS: mm		CHK D.CAMPSCHROER	NAME D-SUB COVER SINGLE EXIT	
TOLERANCES UNLESS OTHERWISE SPECIFIED:		APVD T.DE BOER	PRODUCT SPEC -	
0 PLC ± - 1 PLC ± 0,3 2 PLC ± 0,2 3 PLC ± - 4 PLC ± - ANGLES ± 3'		APPLICATION SPEC -	SIZE A3	CAGE CODE 00779
MATERIAL -	FINISH -	WEIGHT -	DRAWING NO C-1982208	RESTRICTED TO -
CUSTOMER DRAWING			SCALE 1:1	SHEET 3 OF 3
			REV B	