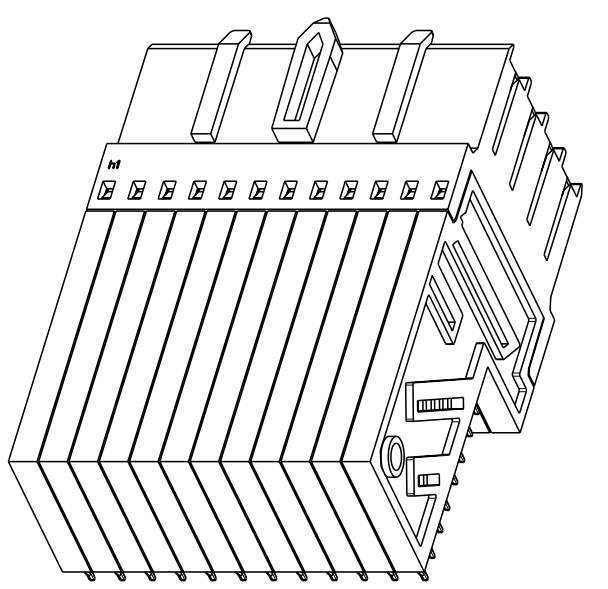
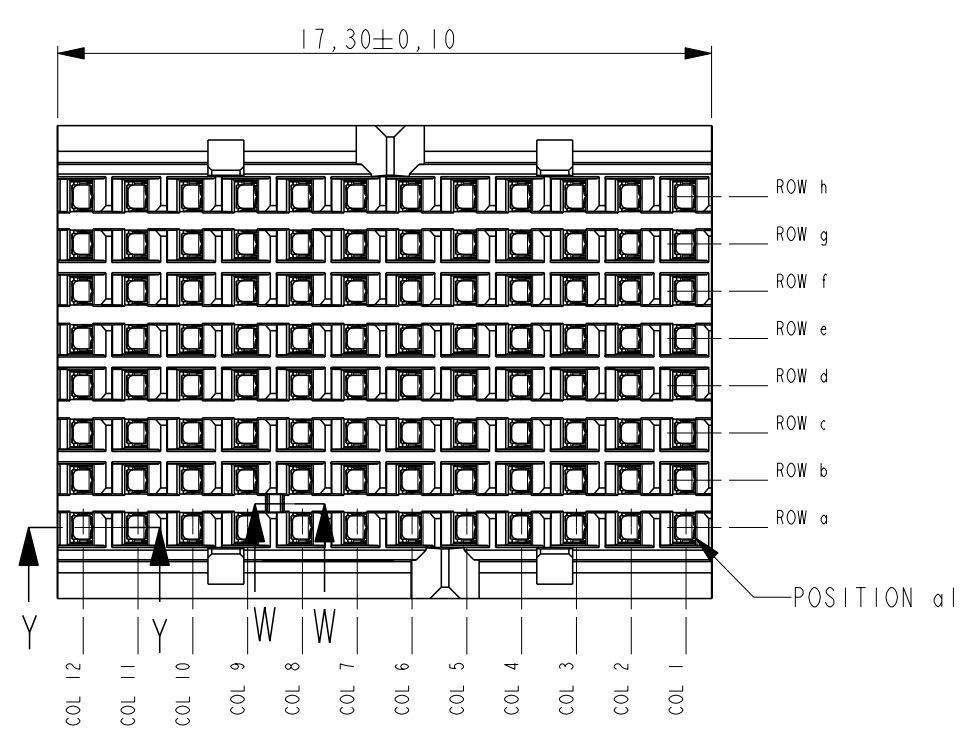
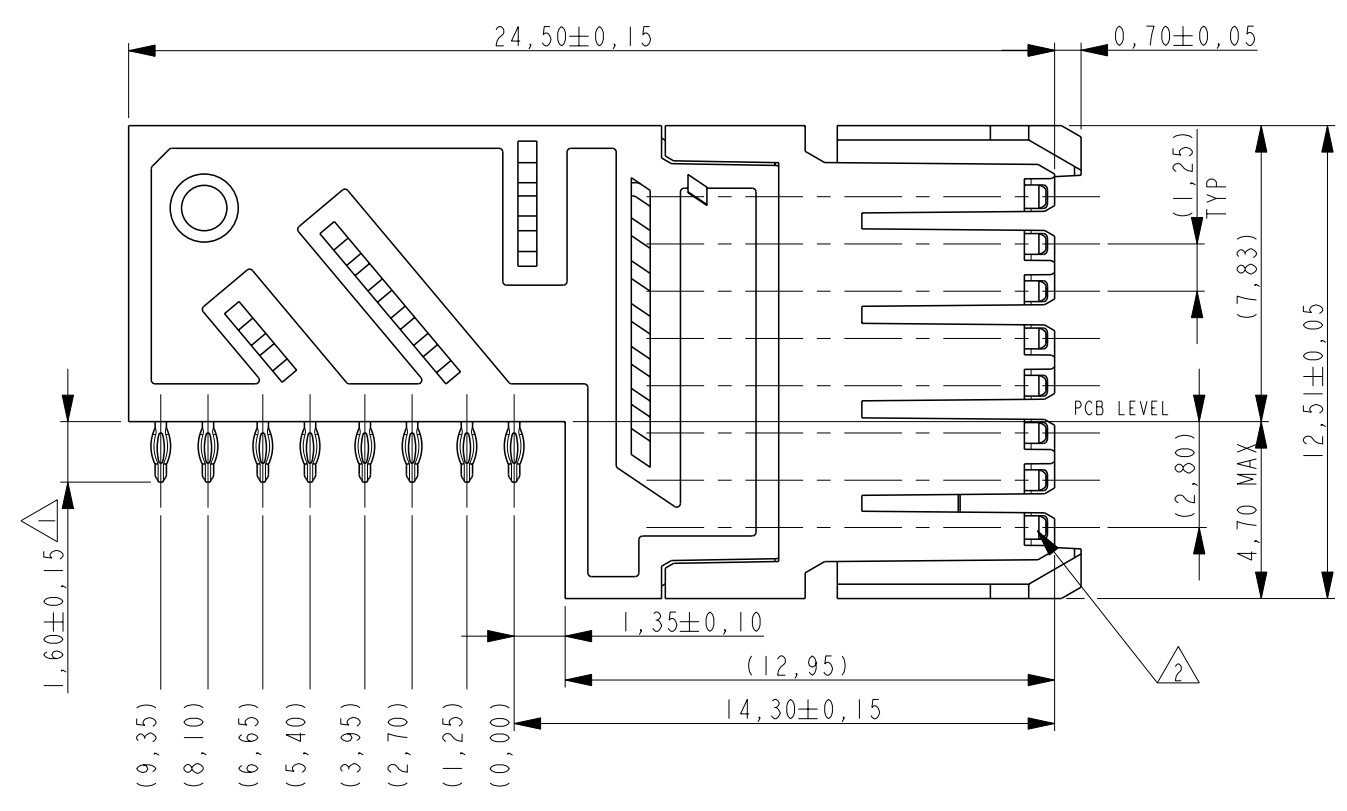
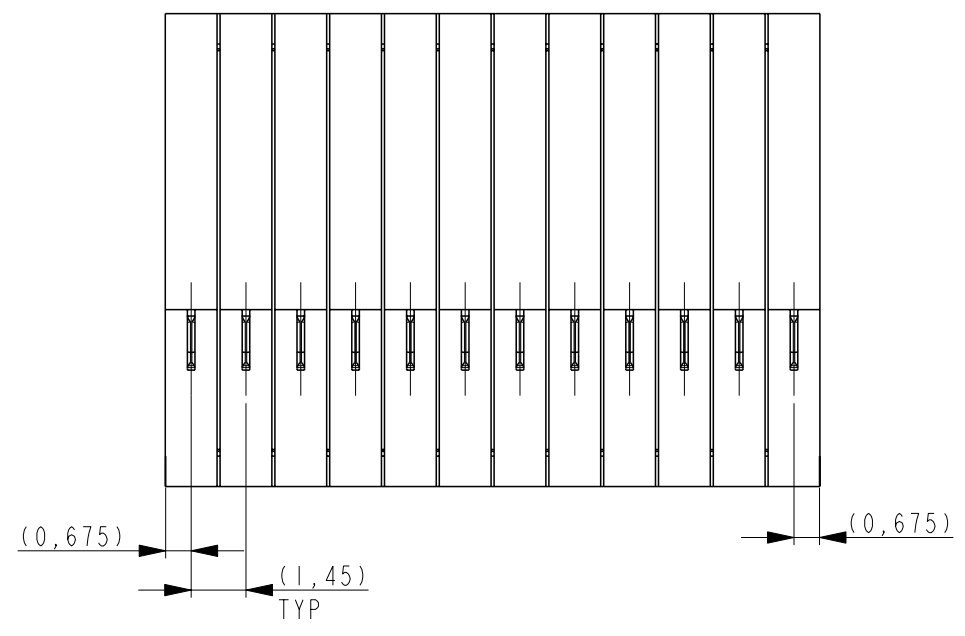
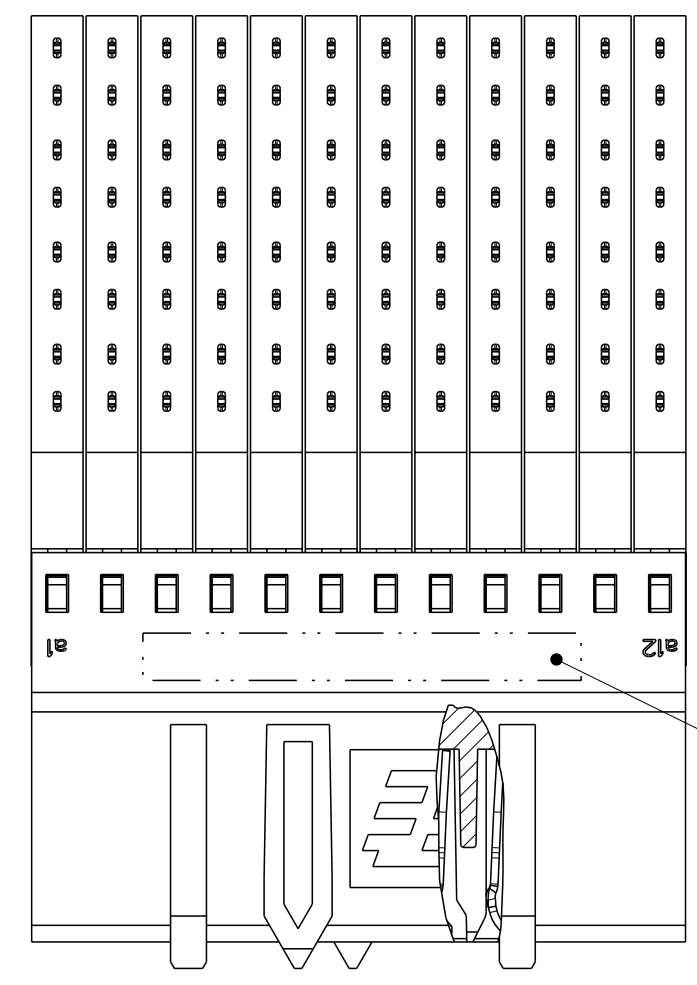


THIS DRAWING IS UNPUBLISHED. RELEASED FOR PUBLICATION
 © COPYRIGHT BY TYCO ELECTRONICS CORPORATION. ALL RIGHTS RESERVED.

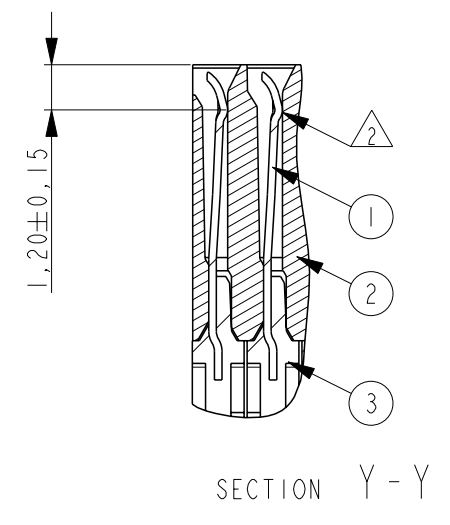
LOC	DIST	REVISIONS			
P	LTR	DESCRIPTION	DATE	DWN	APVD
H	-	A	DRAWING RELEASED PER ECR-11-017294	22AUG2011	JvdH TdB
		AI	CHANGED PER ECR-12-010777	13JUN2012	BM TdB
		B	ADDED TOLERANCES PER ECR-13-006546	17APR2013	JvdH GJV



SCALE 3:1



SECTION W-W
(KEY POSITION)



SECTION Y-Y

NOTES:

- 1 PLATING: 0,5µm MIN. TIN OVER NICKEL.
- 2 PLATING:

PARTNUMBER	PERFORMANCE LEVEL
1982738-1	PERFORMANCE LEVEL 1: CONNECTOR TESTED AND QUALIFIED AGAINST TELCORDIA GR-1217-CORE QUALITY LEVEL III: UNCONTROLLED ENVIRONMENT APPLICATIONS. SEE PRODUCT SPEC 108-19353
1982738-2	PERFORMANCE LEVEL 2: CONFORMS TO ALL TESTING ACCORDING PRODUCT SPEC 108-19320, -250 MATING CYCLES, 4 DAYS MIXED GAS TEST PER IEC 60068-2-60 METHOD 1

- 3 CONSULT APPLICATION SPEC OR CONTACT TE CONNECTIVITY FOR PERMISSIBLE CONTACT ASSIGNMENTS.
- 4 CONNECTOR MARKED WITH PARTNUMBER AND DATE CODE.
- 5 FOR PC-BOARD ROUTING RECOMMENDATIONS SEE SPEC 114-19140

PRODUCT HAS NOT COMPLETED QUALIFICATION TESTING

3	OVERMOLD	PBT 20% GF GREY
2	HOUSING	LCP 30% GF NATURAL
1	CONTACT	COPPER ALLOY
ITEM NO.	DESCRIPTION	MATERIAL



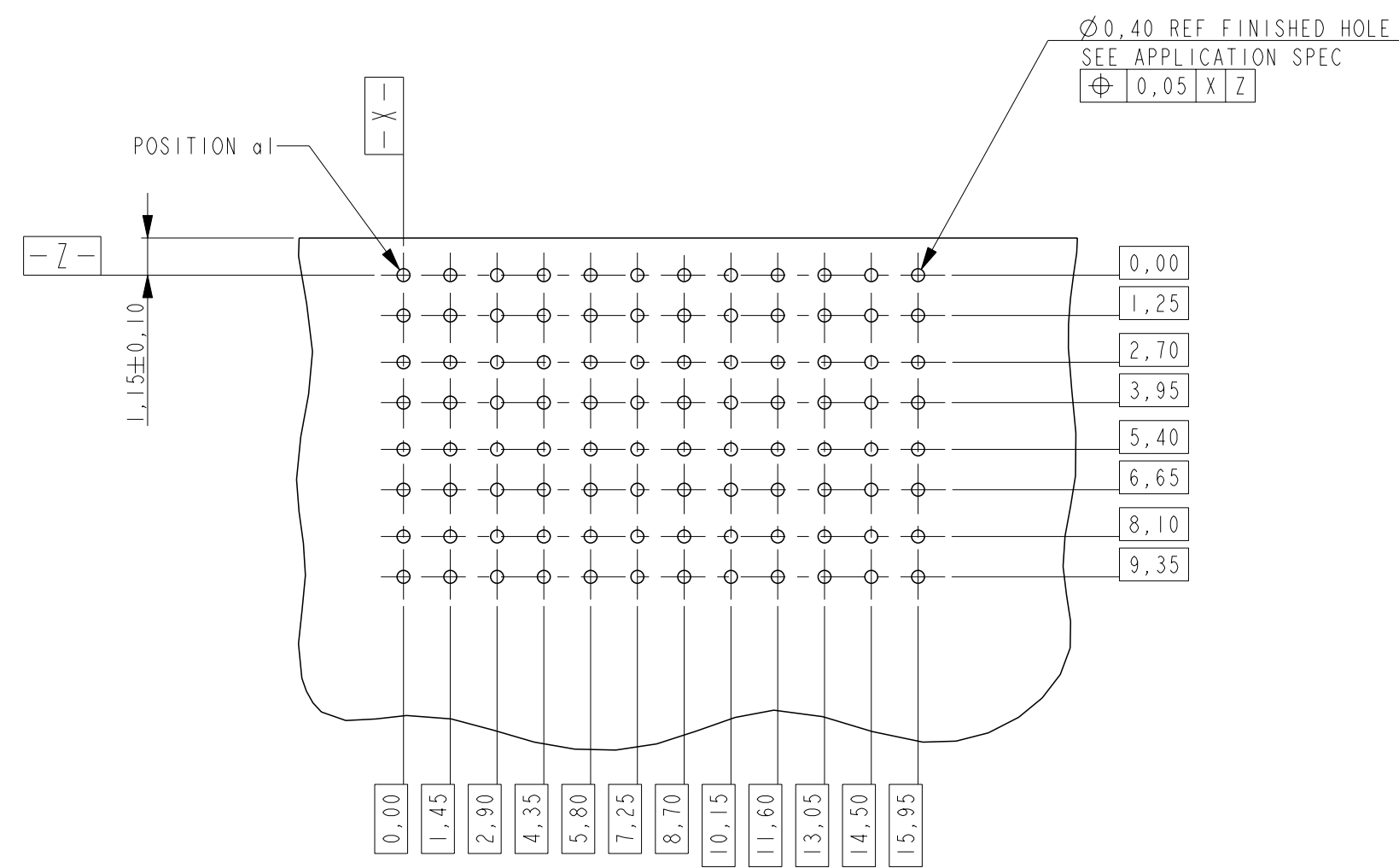
NAME		RESTRICTED TO	
FEMALE CONNECTOR			
Z-PACK Slim UHD Common Speed			
SIZE	CAGE CODE	DRAWING NO	
A2	00779	C-1982738	
SCALE 5:1		SHEET 1 OF 2	REV B

DIMENSIONS:		TOLERANCES UNLESS OTHERWISE SPECIFIED:	
mm		0 PLC	±
		1 PLC	±
		2 PLC	±
		3 PLC	±
		4 PLC	±
		ANGLES	±
		FINISH	±

THIS DRAWING IS A CONTROLLED DOCUMENT.	DWN RA 31-Jan-2008
	CHK RA 31-Jan-2008
	APVD J.BROEKSTEEG 31-Jan-2008
	PRODUCT SPEC SEE NOTE 2
	APPLICATION SPEC 114-19106
MATERIAL	WEIGHT
CUSTOMER DRAWING	

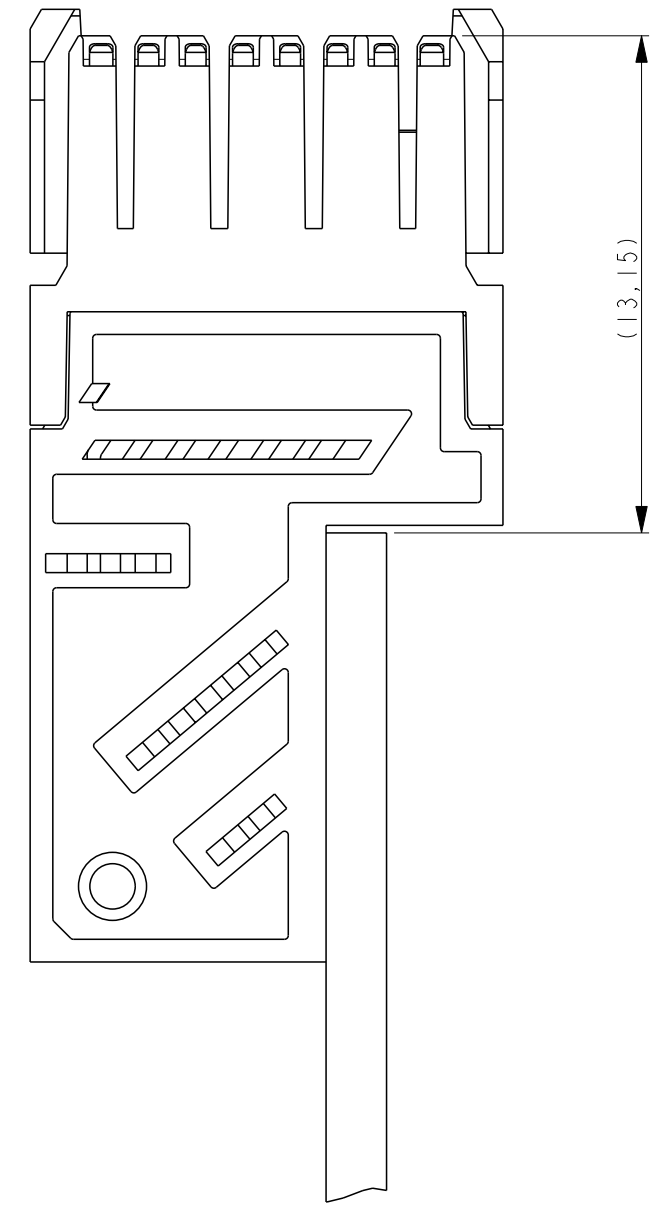
THIS DRAWING IS UNPUBLISHED. RELEASED FOR PUBLICATION
 © COPYRIGHT BY TYCO ELECTRONICS CORPORATION. ALL RIGHTS RESERVED.

LOC	DIST	REVISIONS					
H	-	P	LTR	DESCRIPTION	DATE	DWN	APVD
		-		SEE SHEET 1	-	-	-



BOARD THICKNESS 1,2 MIN

RECOMMENDED PCB LAYOUT
(COMPONENT SIDE SHOWN)



PRODUCT HAS NOT COMPLETED
QUALIFICATION TESTING

THIS DRAWING IS A CONTROLLED DOCUMENT.		DWN RA 31-Jan-2008	STE TE Connectivity	
DIMENSIONS: mm		CHK RA 31-Jan-2008		
TOLERANCES UNLESS OTHERWISE SPECIFIED:		APVD J.BROEKSTEEG 31-Jan-2008	NAME FEMALE CONNECTOR Z-PACK Slim UHD Common Speed	
0 PLC ±-		PRODUCT SPEC SEE SHEET 1	SIZE CAGE CODE DRAWING NO RESTRICTED TO	
1 PLC ±-		APPLICATION SPEC SEE SHEET 1	A2 00779 C-1982738	
2 PLC ±-		MATERIAL -	SCALE 5:1 SHEET 2 OF 2 REV B	
3 PLC ±-		FINISH -		
4 PLC ±-		CUSTOMER DRAWING		
ANGLES ±-				
FINISH				