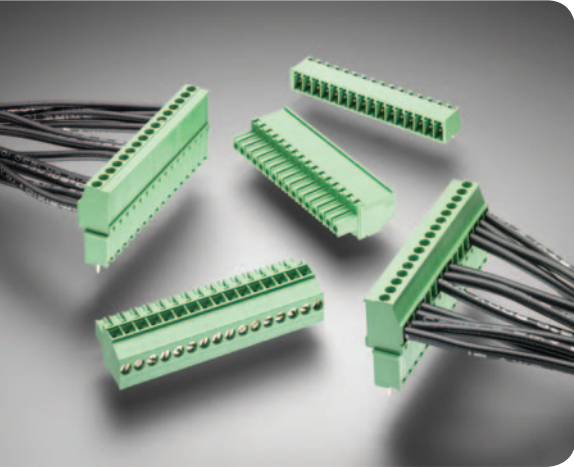


Introducing

Left and Right Hand Plugs 3.5 mm and 3.81 mm Pitch

Left and Right hand plugs allow additional configurations of wire access angles to be applied to standard 3.5 mm & 3.81 mm vertical and right angle headers. These rising, screw clamp plugs mate to industry standard open and closed end headers on the same centerline spacing.



KEY FEATURES

- Multiple wire access angles (90° & 270°) to header interface
- Mates with industry standard headers on the same centerline spacing
- Available in multiple colors
- Custom marking and printing is available
- Plugs are end to end stackable without loss of centerline spacing

APPLICATIONS

Wire-to-board applications requiring field wiring termination

Industrial Controls : control and power wiring

HVAC Controls : control and power wiring

ELECTRICAL

- 11 amps
- 300 volts

MECHANICAL

- 14-30 AWG
- -40°C to + 110°C

STANDARDS AND SPECIFICATIONS

Application Spec : 114-20079

MATERIALS

UL 94-VO

Housings : Made from PA 6.6

Clamps : Nickel plated brass

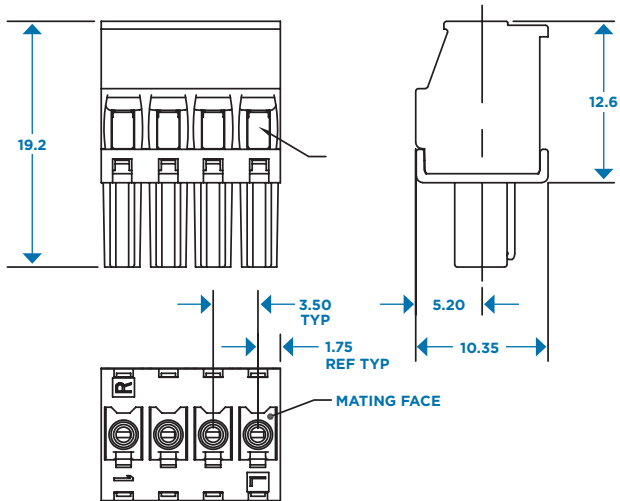
Contacts : Tin plated phosphor bronze

PRODUCT OFFERING

| 3.5 mm Right Hand Plug | | 3.5 mm Left Hand Plug | | 3.81 mm Right Hand Plug | | 3.81 mm Left Hand Plug | |
|------------------------|----------|-----------------------|----------|-------------------------|----------|------------------------|----------|
| PN | Position | PN | Position | PN | Position | PN | Position |
| 1986370-2 | 2 | 1986371-2 | 2 | 1986374-2 | 2 | 1986375-2 | 2 |
| 1986370-3 | 3 | 1986371-3 | 3 | 1986374-3 | 3 | 1986375-3 | 3 |
| 1986370-4 | 4 | 1986371-4 | 4 | 1986374-4 | 4 | 1986375-4 | 4 |
| 1986370-5 | 5 | 1986371-5 | 5 | 1986374-5 | 5 | 1986375-5 | 5 |
| 1986370-6 | 6 | 1986371-6 | 6 | 1986374-6 | 6 | 1986375-6 | 6 |
| 1986370-7 | 7 | 1986371-7 | 7 | 1986374-7 | 7 | 1986375-7 | 7 |
| 1986370-8 | 8 | 1986371-8 | 8 | 1986374-8 | 8 | 1986375-8 | 8 |
| 1986370-9 | 9 | 1986371-9 | 9 | 1986374-9 | 9 | 1986375-9 | 9 |
| 1-1986370-0 | 10 | 1-1986371-0 | 10 | 1-1986374-0 | 10 | 1-1986375-0 | 10 |
| 1-1986370-1 | 11 | 1-1986371-1 | 11 | 1-1986374-1 | 11 | 1-1986375-1 | 11 |
| 1-1986370-2 | 12 | 1-1986371-2 | 12 | 1-1986374-2 | 12 | 1-1986375-2 | 12 |
| 1-1986370-3 | 13 | 1-1986371-3 | 13 | 1-1986374-3 | 13 | 1-1986375-3 | 13 |
| 1-1986370-4 | 14 | 1-1986371-4 | 14 | 1-1986374-4 | 14 | 1-1986375-4 | 14 |
| 1-1986370-5 | 15 | 1-1986371-5 | 15 | 1-1986374-5 | 15 | 1-1986375-5 | 15 |
| 1-1986370-6 | 16 | 1-1986371-6 | 16 | 1-1986374-6 | 16 | 1-1986375-6 | 16 |

PRODUCT DIMENSIONS

Left Hand Version



Right Hand Version

