

## Introducing

Front Style Terminal Block Plugs

# Front Style Terminal Block Plugs

## KEY FEATURES

- Wire entry cavity and the activating screw head are located on the same side of the terminal block plug
- Wide range of wire AWGs accepted
- Mates with standard headers on 5.0 and 5.08mm centerline spacings

## DESCRIPTIONS

The key feature of the front style terminal block plug is that the wire entry cavity and the activating screw head are on the same plane which is parallel to the plug in direction. These plugs in particular are being released with 5.0mm and 5.08mm centerline spacing and will mate to industry standard vertical and right angle headers.

## APPLICATIONS

Industrial controls

HVAC controls

Communications equipment

Field wiring for either power or I/O connections

Stacked (side by side) pluggable terminal block connections

## ELECTRICAL

300 volts

16 amps

## MECHANICAL

Wire range: 14-24 AWG

Screw torque: 4.5 in-lbs

Operating temp: -40° to +105° C

## MATERIALS

PA 6.6

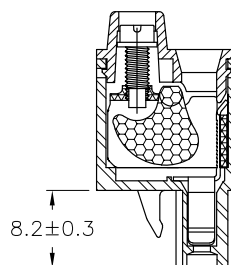
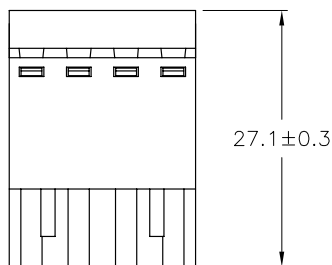
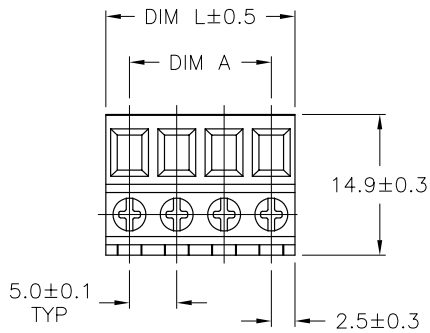
UL 94V-0

Zinc plated steel screws

# Front Style Terminal Block Plugs

## PRODUCT DIMENSIONS

5.0mm Front Style Plugs		5.08mm Front Style Plugs	
Part Number	Number of positions	Part Number	Number of positions
1986300-2	2	1986484-2	2
1986300-3	3	1986484-3	3
1986300-4	4	1986484-4	4
1986300-5	5	1986484-5	5
1986300-6	6	1986484-6	6
1986300-7	7	1986484-7	7
1986300-8	8	1986484-8	8
1986300-9	9	1986484-9	9
1-1986300-0	10	1-1986484-0	10
1-1986300-1	11	1-1986484-1	11
1-1986300-2	12	1-1986484-2	12



## FOR MORE INFORMATION

[www.tycoelectronics.com](http://www.tycoelectronics.com)

### Technical Support

Internet:	<a href="http://www.tycoelectronics.com/help">www.tycoelectronics.com/help</a>
USA:	+1 (800) 522-6752
Canada:	+1 (905) 470-4425
Mexico & Central America:	+ 52 (0) 55-1106-0814
South America:	+55 (0) 11-2103-6000
Germany:	+49 (0) 6251-133-1999
UK:	+ 44 (0) 8706-080208
France:	+33 (0) 1-3420-8686
Netherlands:	+31 (0) 73-6246-999
China:	+86 (0) 400-820-6015

**Tyco Electronics**  
Harrisburg, PA

**[tycoelectronics.com](http://tycoelectronics.com)**

© 2010 Tyco Electronics Corporation. All Rights Reserved.

4-1773457-3 1M MS-FP 5/2010

TE logo and Tyco Electronics are trademarks.

While Tyco Electronics has made every reasonable effort to ensure the accuracy of the information in this catalog, Tyco Electronics does not guarantee that it is error-free, nor does Tyco Electronics make any other representation, warranty or guarantee that the information is accurate, correct, reliable or current. Tyco Electronics reserves the right to make any adjustments to the information contained herein at any time without notice. Tyco Electronics expressly disclaims all implied warranties regarding the information contained herein, including, but not limited to, any implied warranties of merchantability or fitness for a particular purpose. The dimensions in this catalog are for reference purposes only and are subject to change without notice. Specifications are subject to change without notice. Consult Tyco Electronics for the latest dimensions and design specifications.



**Tyco Electronics**  
Our commitment. Your advantage.