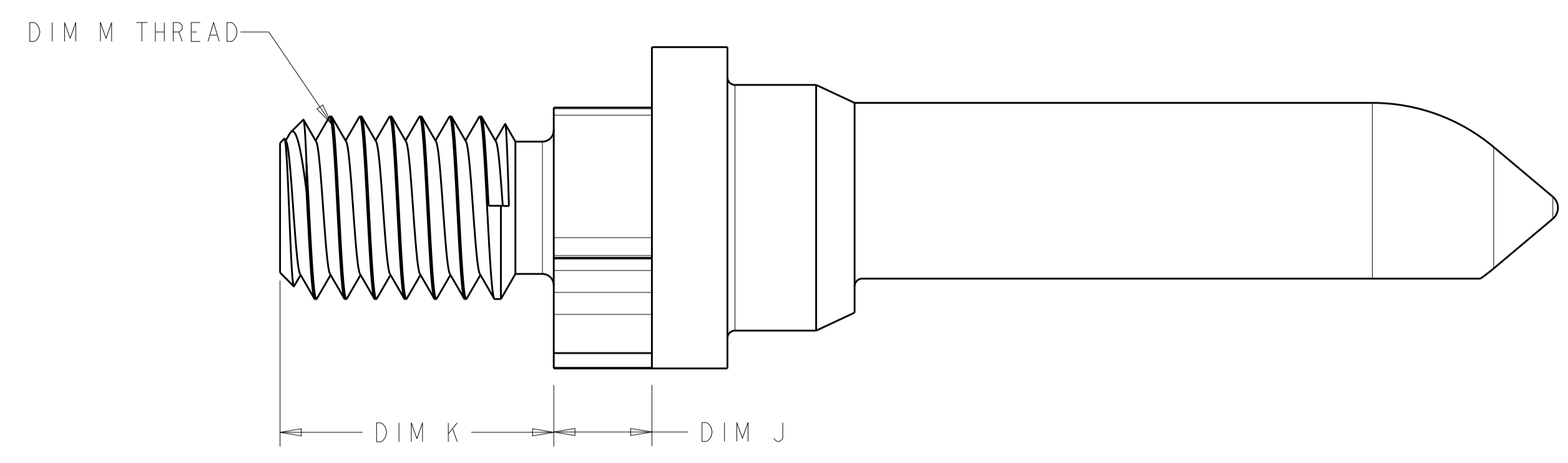
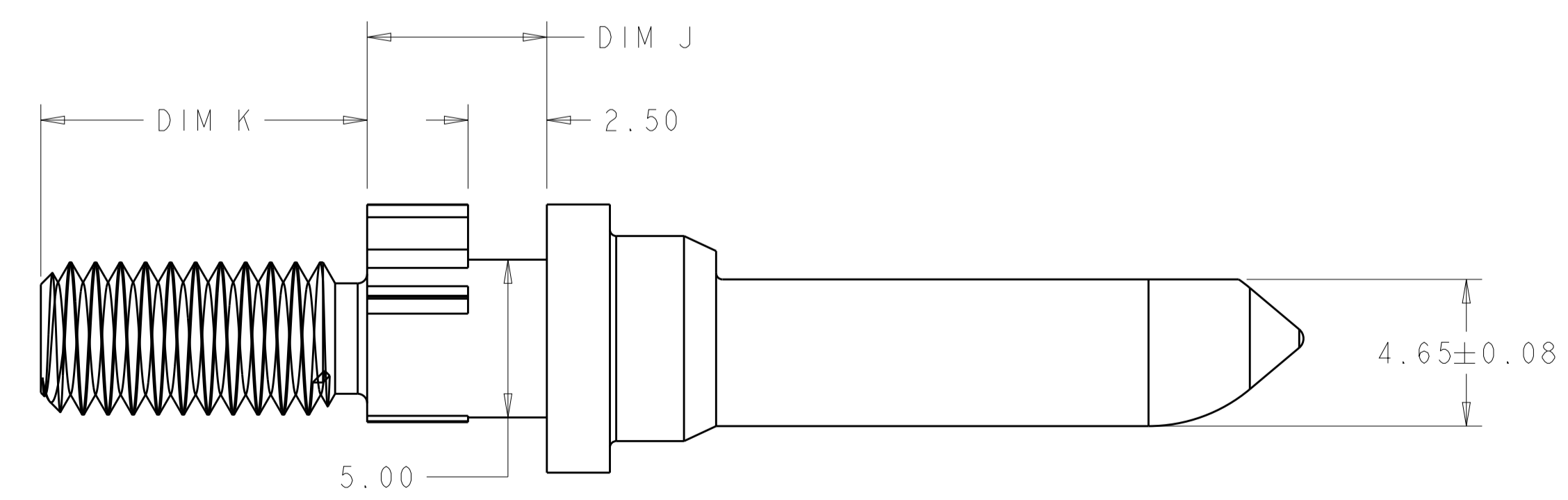
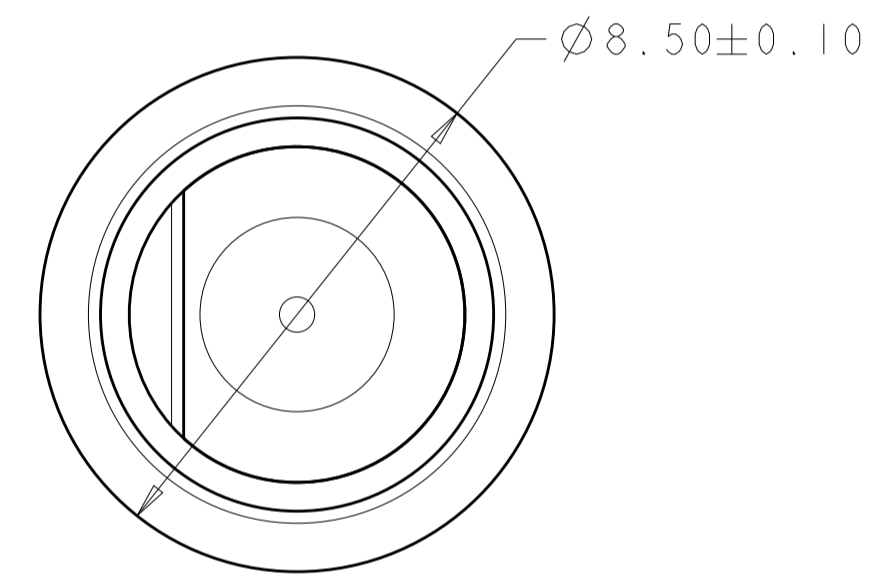
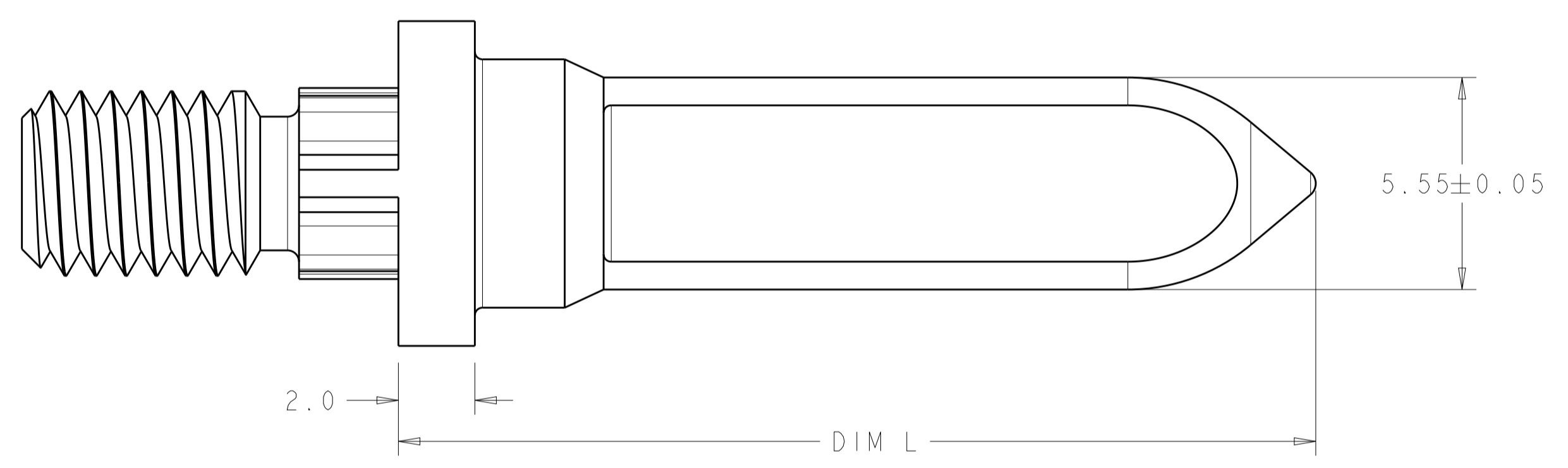
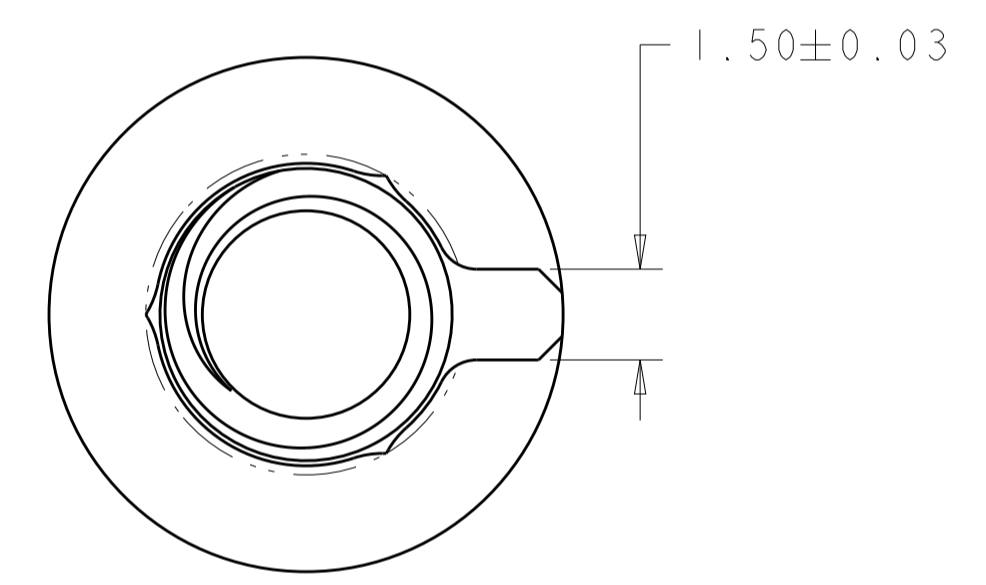


LOC		DIST		REVISIONS			
				REV	DESCRIPTION	DATE	BY
				H	REV PER ECO 14-002677	2-25-14	CT



- 1 MATERIAL: STAINLESS STEEL (303)
- 2 FINISH: PASSIVATED
- 3 KEY HOLE ORIENTATION (DIM A) PER MATING GUIDE MODULE PART NUMBER TABLE (ORIENTATION SHOWN ON PCB LAYOUT IS FOR 1-2000677-2 OR 2000713-2)
- 4 ANNULAR RING PLATED AROUND GUIDE PIN MOUNTING HOLE ON TOP AND BOTTOM SIDE OF BOARD



2000676-6 ONLY  
 SCALE 6:1

10-32 UNF	19	7.25	5.70	1-2000676-3
10-32 UNF	19	7.25	4.20	1-2000676-2
10-32 UNF	19	7.25	1.32	1-2000676-0
M5X.8-6g	24	6.30	2.40	2000676-9
M5X.8-6g	19	9.00	3.40	2000676-8
M5X.8-6g	24	9.00	3.40	2000676-7
10-32 UNF	24	10.35	5.70	2000676-6
10-32 UNF	24	7.25	7.30	2000676-5
10-32 UNF	24	7.25	5.70	2000676-4
10-32 UNF	24	7.25	4.20	2000676-3
10-32 UNF	24	7.25	2.60	2000676-2
10-32 UNF	24	7.25	1.32	2000676-1
DIM M THREAD	DIM L	DIM K	DIM J	PART NUMBER

THIS DRAWING IS A CONTROLLED DOCUMENT.

DIMENSIONS: mm  
 TOLERANCES UNLESS OTHERWISE SPECIFIED:  
 0 PLC ±0.5  
 1 PLC ±0.13  
 2 PLC ±0.13  
 3 PLC ±0.13  
 4 PLC ±0.13  
 ANGLES ±0.5°  
 FINISH:

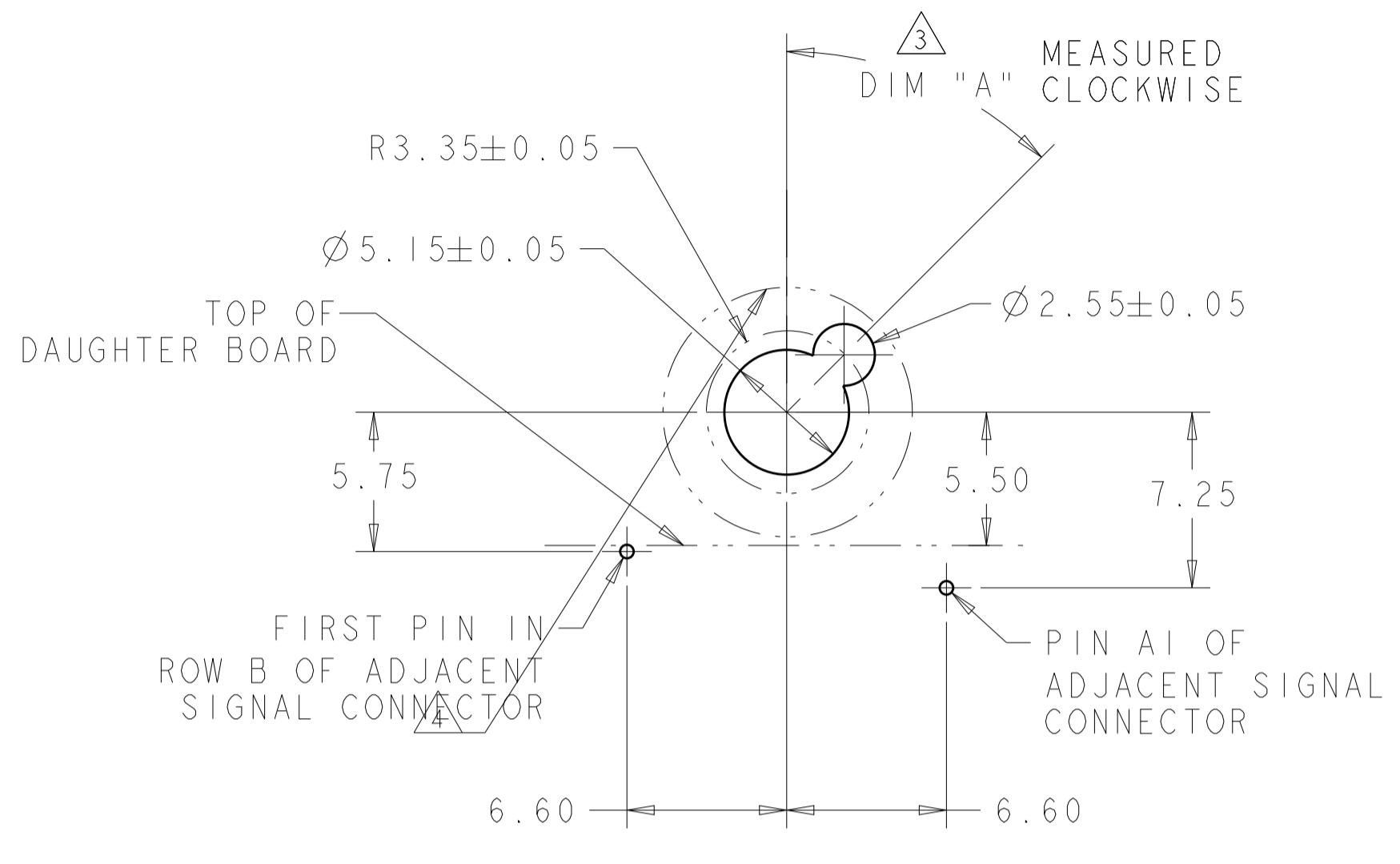
DWN: McALONIS, M. 10JAN08  
 CHK: McALONIS, M. 10JAN08  
 APVD: McALONIS, M. 10JAN08  
 PRODUCT SPEC: 108-2072  
 APPLICATION SPEC: 114-13056  
 WEIGHT:

NAME: KEYED GUIDE PIN, MACHINED BACKPLANE CONNECTOR, MULTIGIG, THREADED POST  
 SIZE: A1  
 CAGE CODE: 00779  
 DRAWING NO: 2000676  
 RESTRICTED TO: H

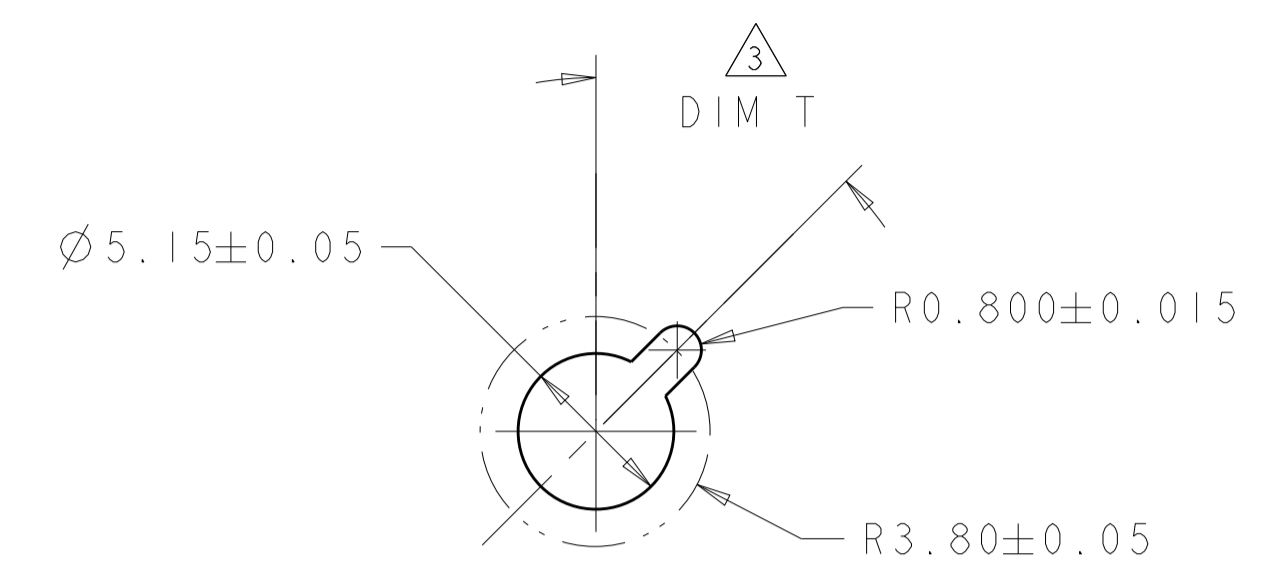
MATERIAL: STAINLESS STEEL (303)  
 FINISH: PASSIVATED

CUSTOMER DRAWING  
 SCALE: 8:1  
 SHEET: 1 OF 2  
 REV: H

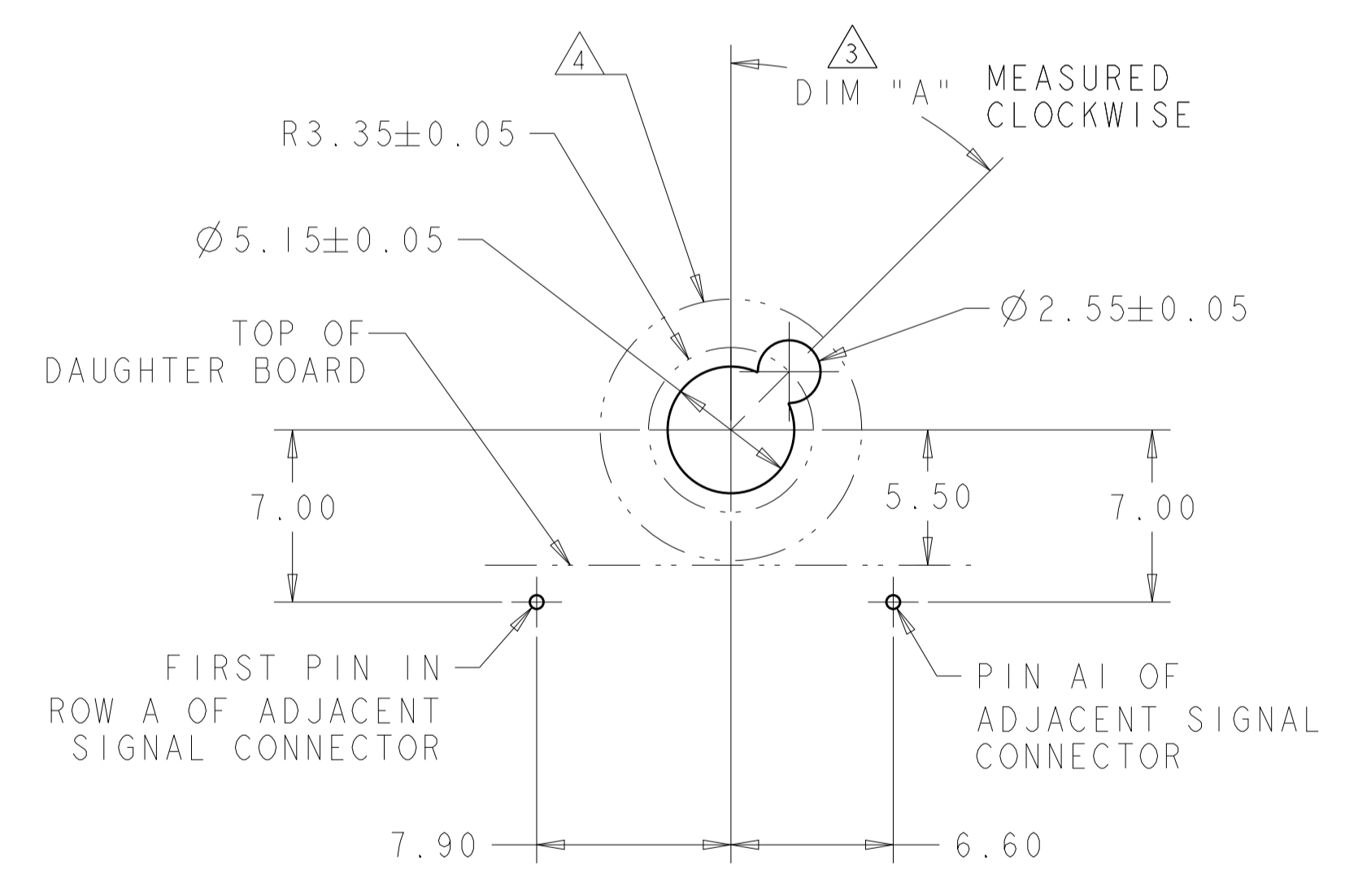
LOC		DIST		REVISIONS			
				REV	DATE	BY	APPV
-	-	-	-	-	-	-	-
-	-	-	-	1	SEE SHEET 1	-	-



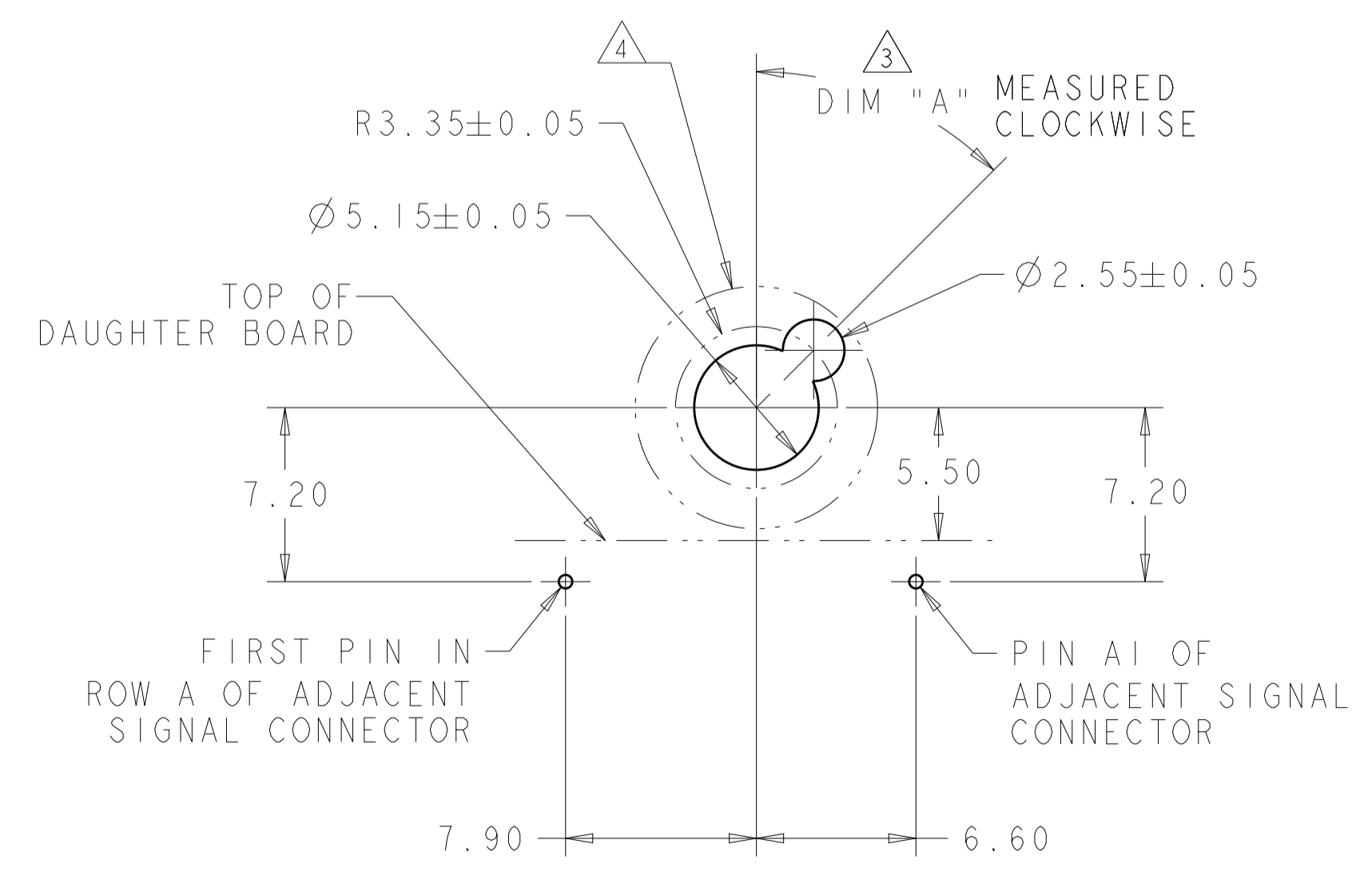
TIER 1  
GUIDE PIN FOOTPRINT  
(20.3 & 25.4mm SIGNAL MODULES)  
SCALE 4:1



ALTERNATE PCB LAYOUT  
FOR GUIDE POST  
SCALE 4:1



TIER 2  
GUIDE PIN FOOTPRINT  
(25.4mm SIGNAL MODULES)  
SCALE 4:1



TIER 2  
GUIDE PIN FOOTPRINT  
(20.3mm SIGNAL MODULES)  
SCALE 4:1

W/O ESD SPRING	NO KEY	2-2000677-9
W/O ESD SPRING	315°	2-2000677-8
W/O ESD SPRING	270°	2-2000677-7
W/O ESD SPRING	90°	2-2000677-3
W/O ESD SPRING	45°	2-2000677-2
W/O ESD SPRING	0°	2-2000677-1
W/O ESD SPRING	0°	2-2000677-0
W/O ESD SPRING	NO KEY	1-2000677-9
W/O ESD SPRING	315°	1-2000677-8
W/O ESD SPRING	270°	1-2000677-7
W/O ESD SPRING	90°	1-2000677-3
W/O ESD SPRING	45°	1-2000677-2
W/ESD SPRING	NO KEY	2000713-6
W/ESD SPRING	315°	2000713-5
W/ESD SPRING	270°	2000713-4
W/ESD SPRING	90°	2000713-3
W/ESD SPRING	45°	2000713-2
W/ESD SPRING	0°	2000713-1
ESD SPRING	DIM T	20.3mm GUIDE MODULE

MATING GUIDE MODULE  $\Delta$ 3

THIS DRAWING IS A CONTROLLED DOCUMENT.		OWN McALONIS, M.	10JAN08		TE Connectivity	
DIMENSIONS: mm		CHK McALONIS, M.	10JAN08		NAME KEYED GUIDE PIN, MACHINED BACKPLANE CONNECTOR, MULTIGIG, THREADED POST	
TOLERANCES UNLESS OTHERWISE SPECIFIED:		APV McALONIS, M.	10JAN08	PRODUCT SPEC 108-2072		
0 PLC ±0.5		APPLICATION SPEC 114-13056		SIZE A100779		
1 PLC ±0.13		WEIGHT		CAGE CODE 2000676		
2 PLC ±0.013		FINISH		RESTRICTED TO H		
3 PLC ±0.013		MATERIAL		SCALE 1:1		
4 PLC ±0.013		CUSTOMER DRAWING		SHEET 2 OF 2		
ANGLES		SCALE		REV H		