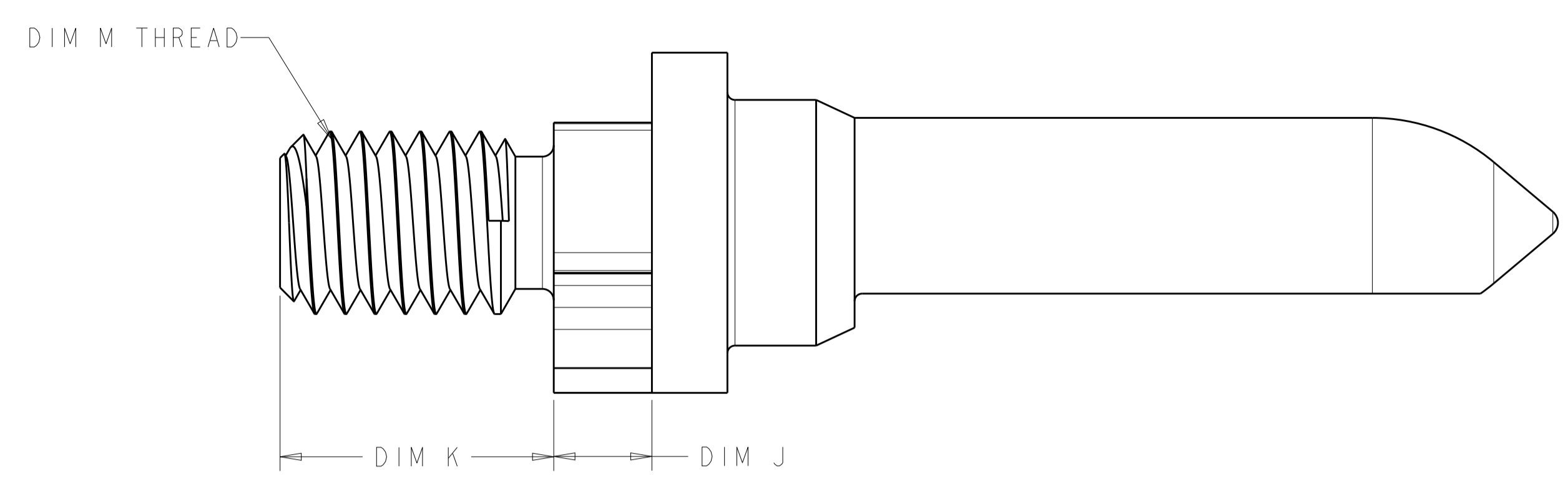
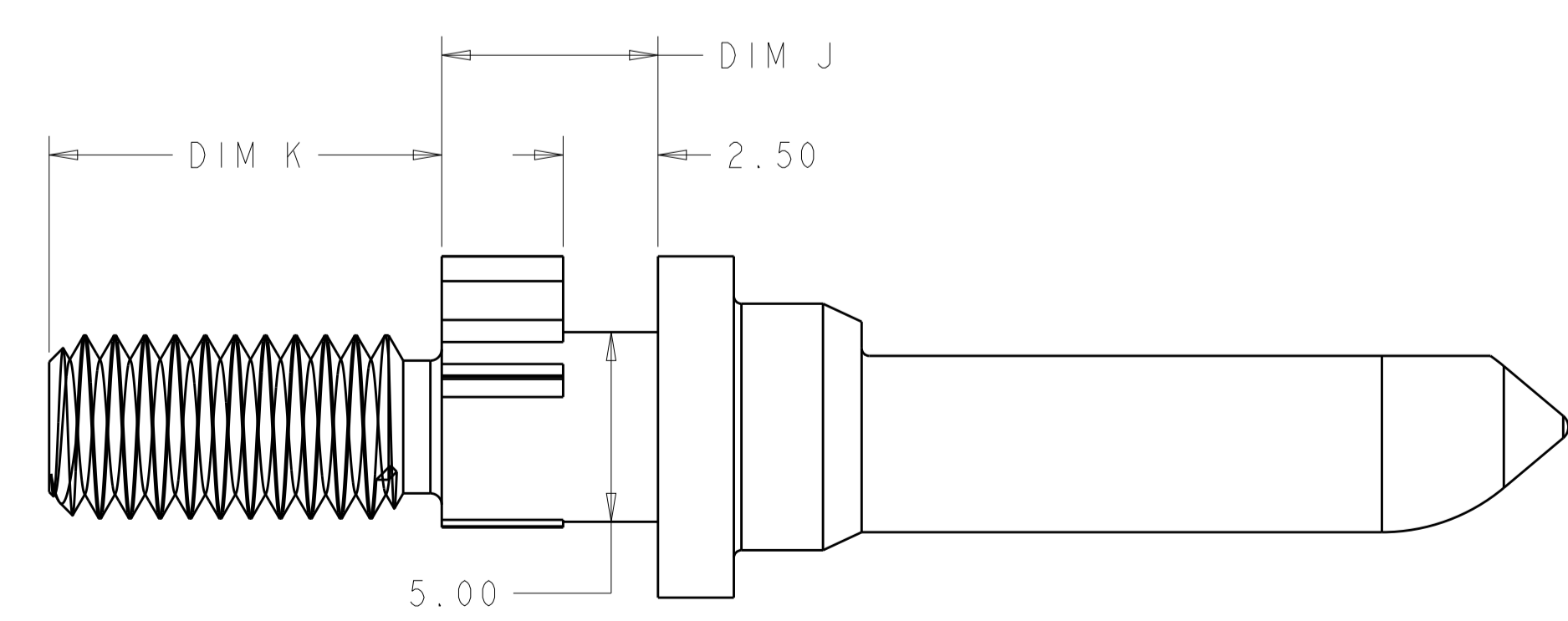
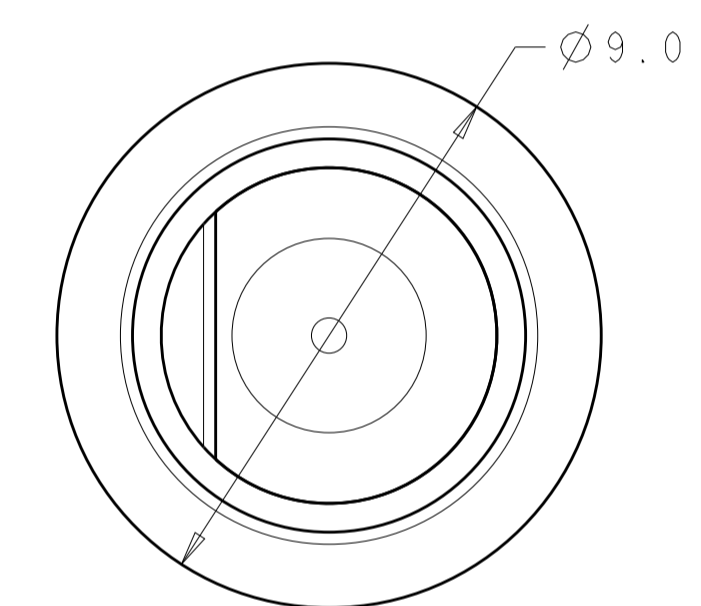
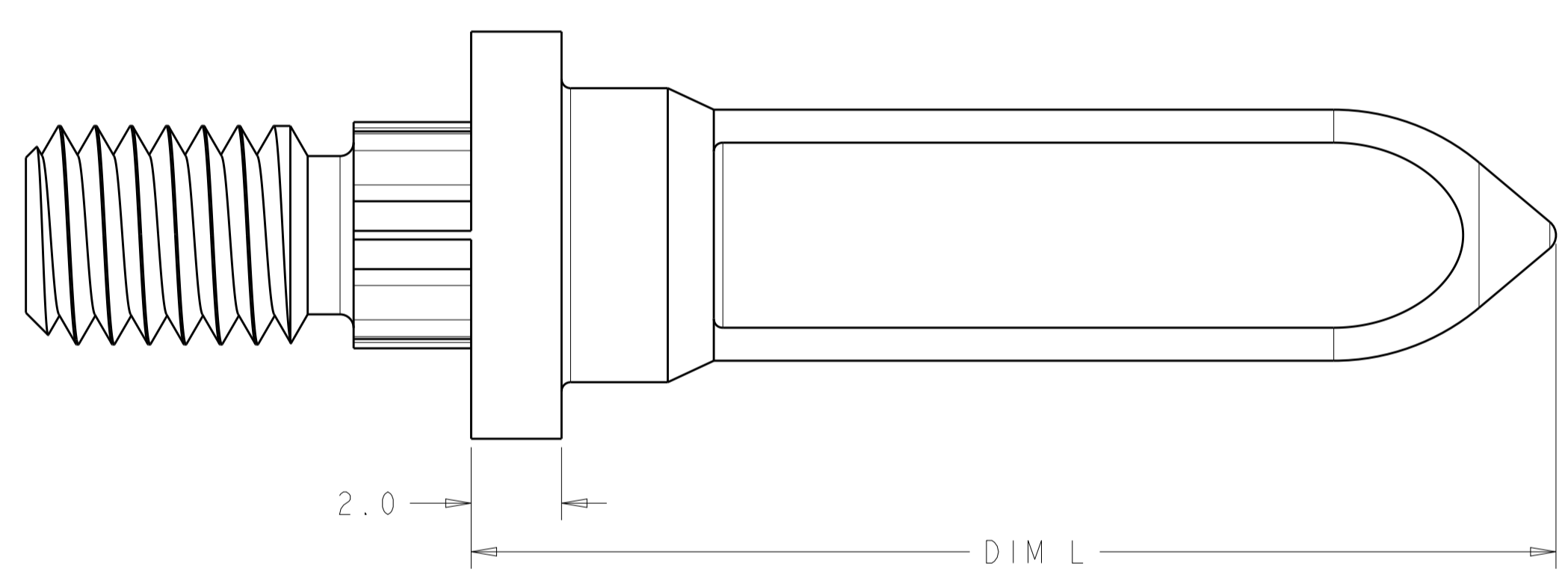
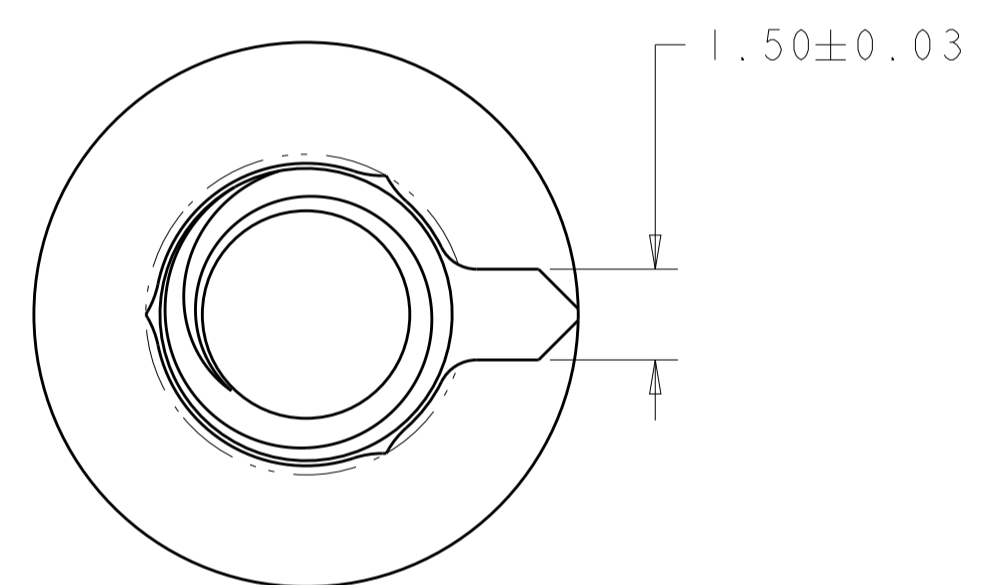


LOC		DIST		REVISIONS			
				DESCRIPTION	DATE	DWN	APVD
		E		REV PER ECO-13-005141	26MAR2013	RJM3	DH



- 1 MATERIAL: STAINLESS STEEL (303)
- 2 FINISH: PASSIVATED
- 3 KEY HOLE ORIENTATION (DIM A) PER MATING GUIDE MODULE PART NUMBER TABLE (ORIENTATION SHOWN ON PCB LAYOUT IS FOR 1-2000677-2 OR 2000713-2)
- 4 ANNULAR RING PLATED AROUND GUIDE PIN MOUNTING HOLE ON TOP AND BOTTOM SIDE OF BOARD



2000676-6 ONLY
 SCALE 6:1

M5X.8-6g	24	6.30	2.40	2000676-9
M5X.8-6g	19	9.00	3.40	2000676-8
M5X.8-6g	24	9.00	3.40	2000676-7
10-32 UNF	24	10.35	5.70	2000676-6
10-32 UNF	24	7.25	7.30	2000676-5
10-32 UNF	24	7.25	5.70	2000676-4
10-32 UNF	24	7.25	4.20	2000676-3
10-32 UNF	24	7.25	2.60	2000676-2
10-32 UNF	24	7.25	1.32	2000676-1
DIM M THREAD	DIM L	DIM K	DIM J	PART NUMBER

THIS DRAWING IS A CONTROLLED DOCUMENT.

DIMENSIONS: mm

TOLERANCES UNLESS OTHERWISE SPECIFIED:

0 PLC	±	
1 PLC	±0.5	
2 PLC	±0.13	
3 PLC	±0.013	
4 PLC	±	
ANGLES	±	
FINISH	±	

MATERIAL: STAINLESS STEEL (303)

FINISH: PASSIVATED

THIS DRAWING IS A CONTROLLED DOCUMENT.

DWN: McALONIS, M. 10JAN08

CHK: McALONIS, M. 10JAN08

APVD: McALONIS, M. 10JAN08

NAME: McALONIS, M. 10JAN08

PRODUCT SPEC: 108-2072

APPLICATION SPEC: 114-13056

WEIGHT: -

CUSTOMER DRAWING

SCALE: 8:1

SHEET 1 OF 2

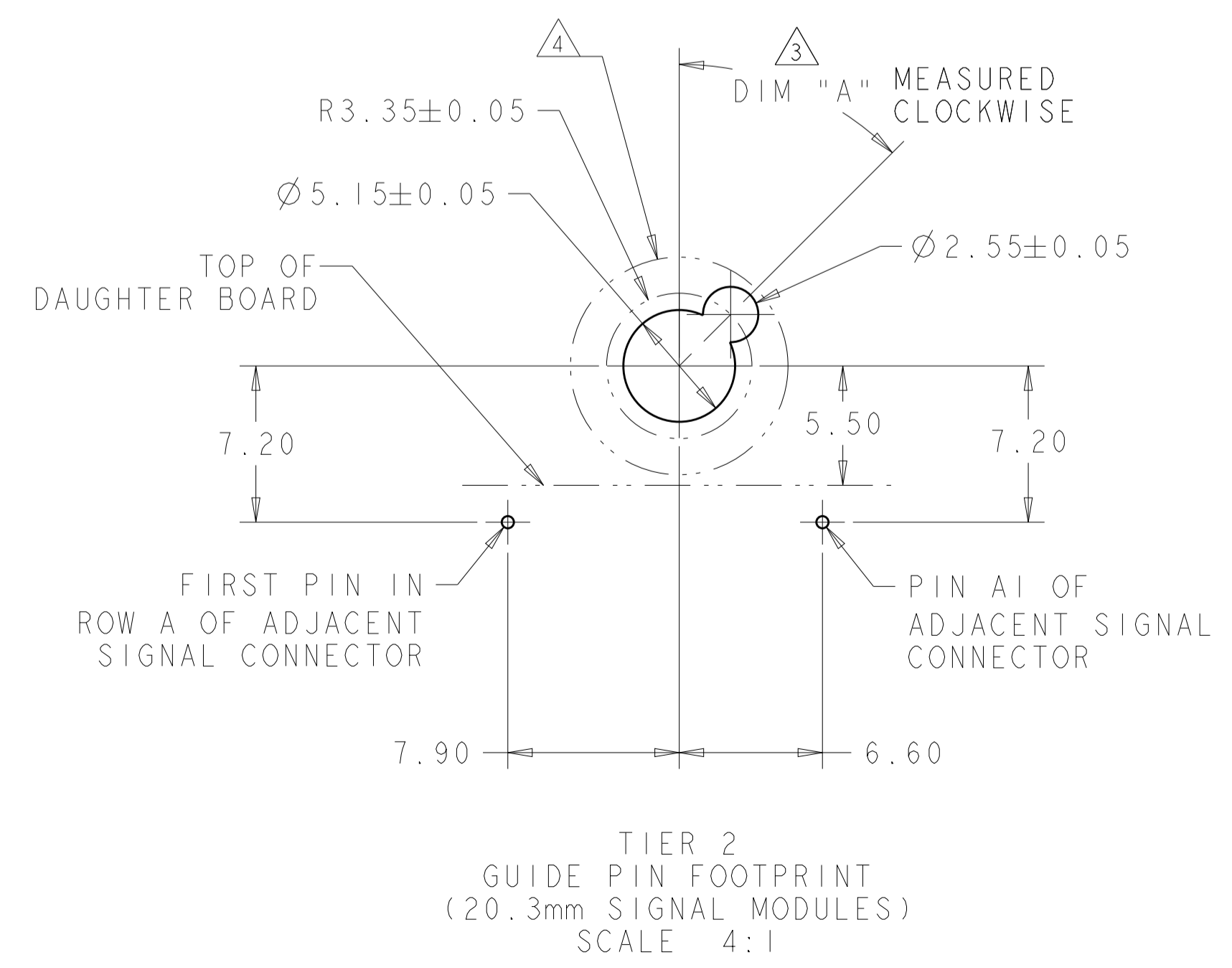
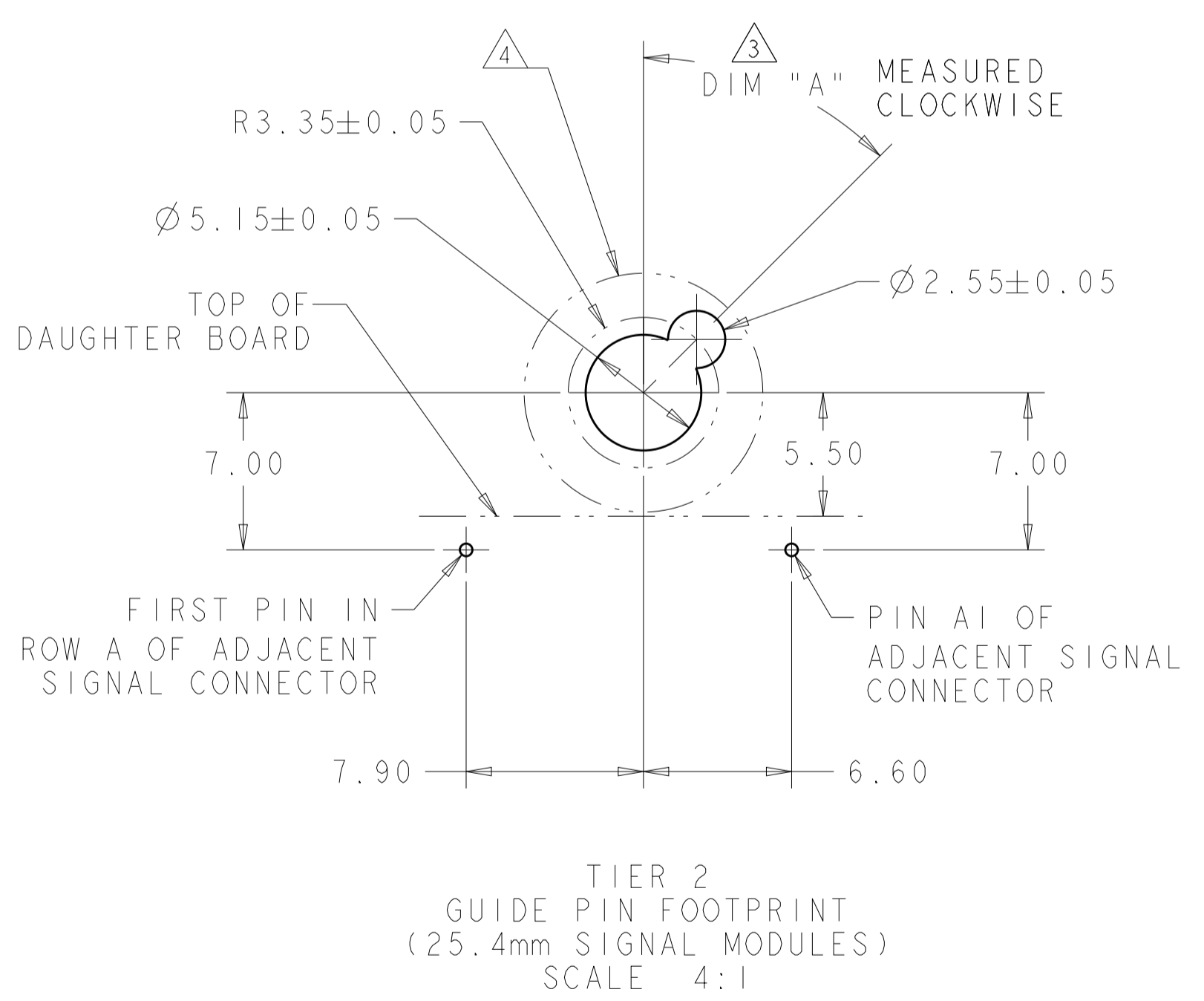
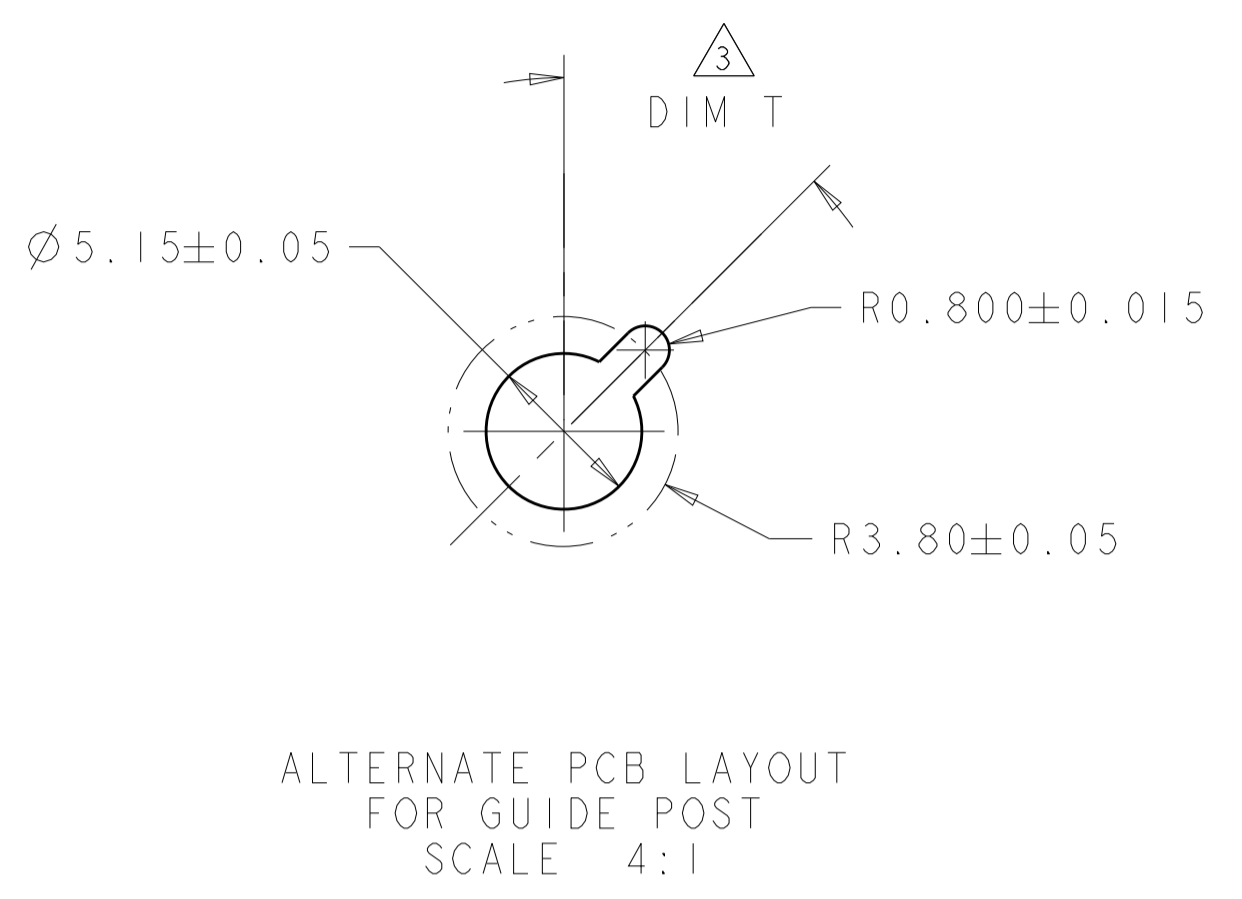
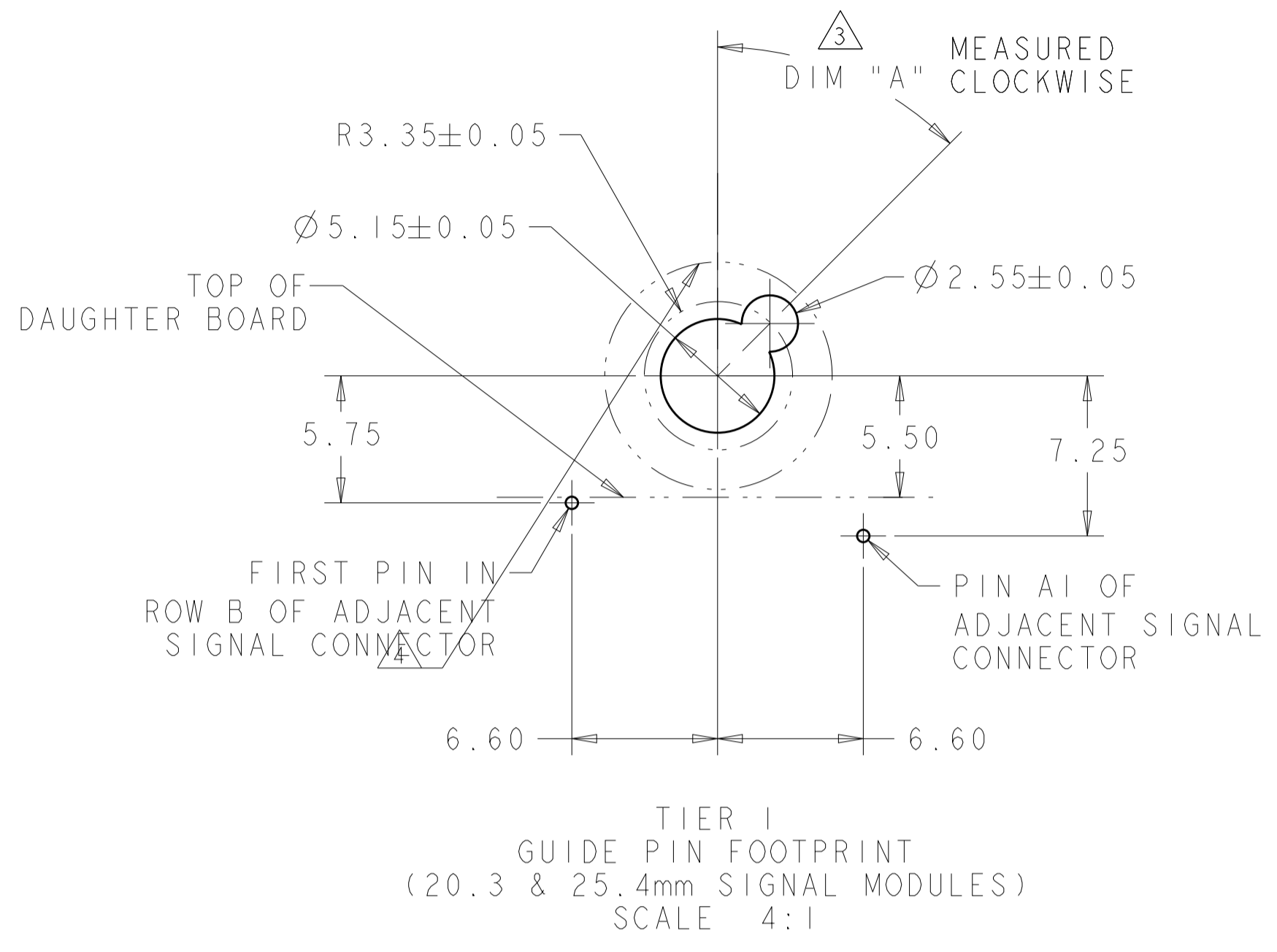
REV E

RESTRICTED TO: A100779C=2000676

TE Connectivity

KEYED GUIDE PIN, MACHINED BACKPLANE CONNECTOR, MULTIGIG, THREADED POST

LOC		DIST		REVISIONS			
				REV	DATE	BY	APPV
-	-	-	-	-	-	-	-
-	-	-	-	1	SEE SHEET 1	-	-



W/O ESD SPRING	NO KEY	2-2000677-9
W/O ESD SPRING	315°	2-2000677-8
W/O ESD SPRING	270°	2-2000677-7
W/O ESD SPRING	90°	2-2000677-3
W/O ESD SPRING	45°	2-2000677-2
W/O ESD SPRING	0°	2-2000677-1
W/O ESD SPRING	0°	2-2000677-0
W/O ESD SPRING	NO KEY	1-2000677-9
W/O ESD SPRING	315°	1-2000677-8
W/O ESD SPRING	270°	1-2000677-7
W/O ESD SPRING	90°	1-2000677-3
W/O ESD SPRING	45°	1-2000677-2
W/ESD SPRING	NO KEY	2000713-6
W/ESD SPRING	315°	2000713-5
W/ESD SPRING	270°	2000713-4
W/ESD SPRING	90°	2000713-3
W/ESD SPRING	45°	2000713-2
W/ESD SPRING	0°	2000713-1
ESD SPRING	DIM T	20.3mm GUIDE MODULE

MATING GUIDE MODULE $\triangle 3$

THIS DRAWING IS A CONTROLLED DOCUMENT. DWN: McALONIS, M. 10JAN08
CHK: McALONIS, M. 10JAN08
APV: McALONIS, M. 10JAN08

TE Connectivity

KEYED GUIDE PIN, MACHINED BACKPLANE CONNECTOR, MULTIGIG, THREADED POST

PRODUCT SPEC: 108-2072
APPLICATION SPEC: 114-13056

SIZE: A1 CAGE CODE: 2000676 DRAWING NO: 100779 SCALE: 1:1 SHEET 2 OF 2 REV E

MATERIAL: FINISH: WEIGHT: CUSTOMER DRAWING