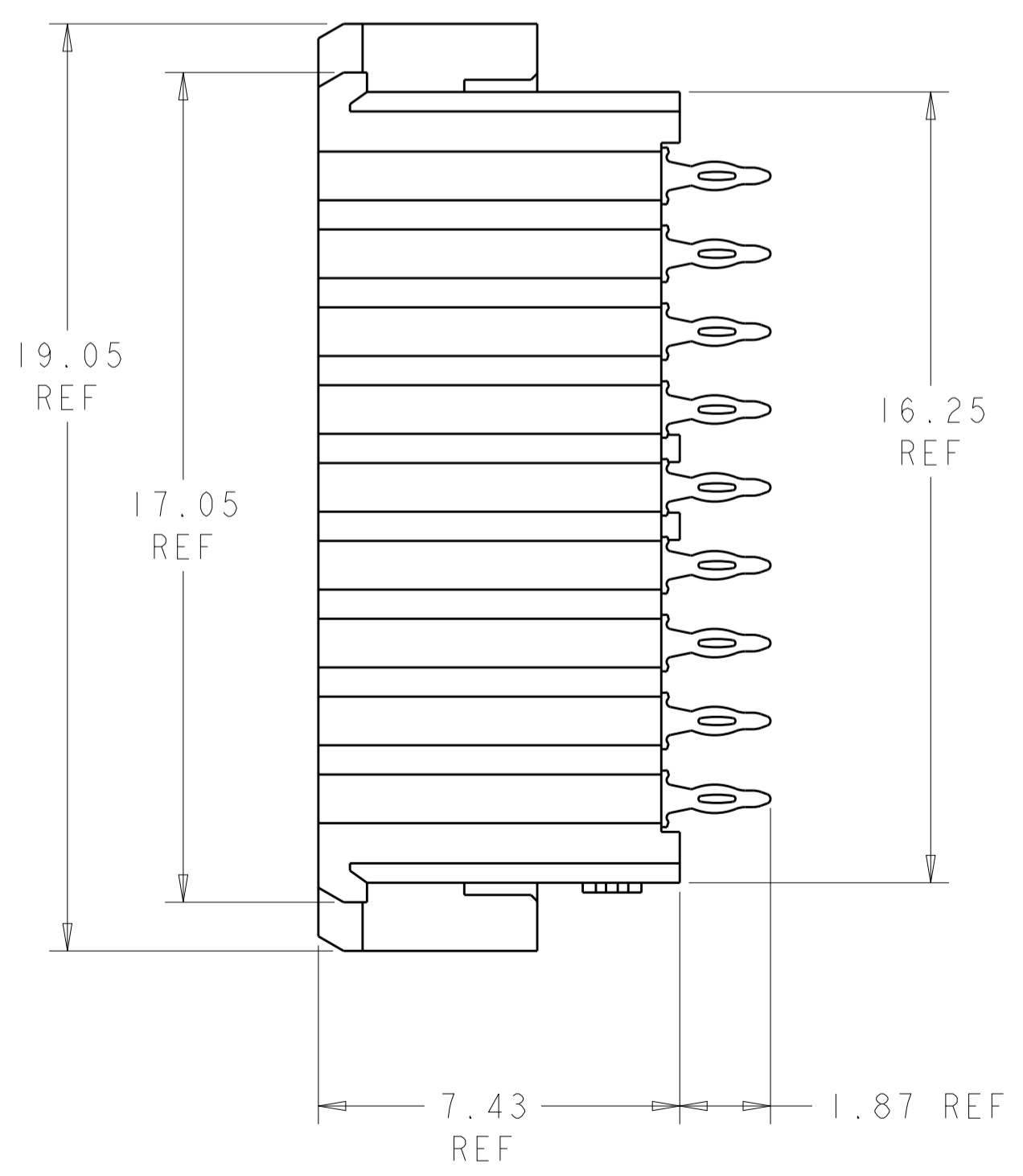
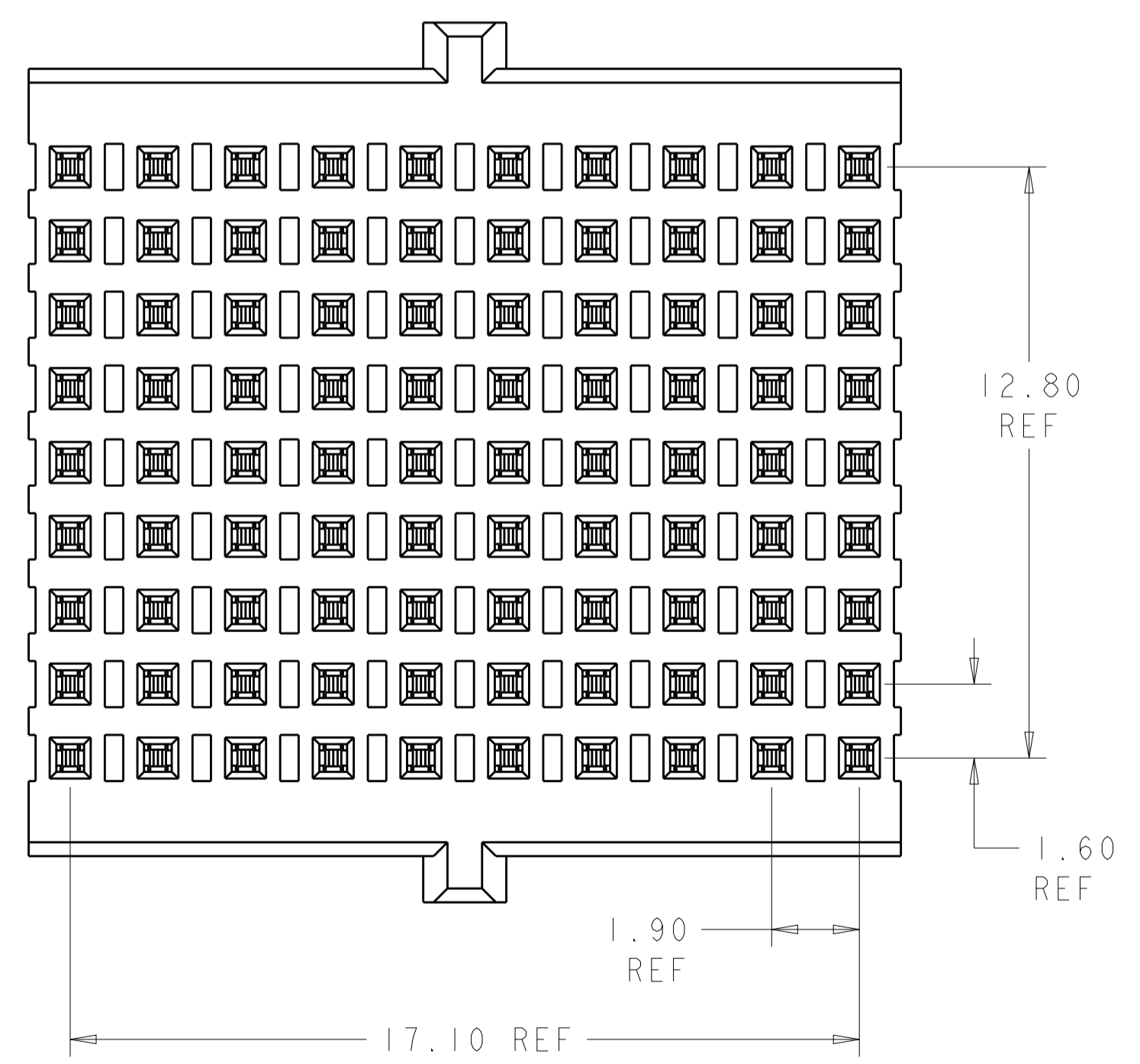
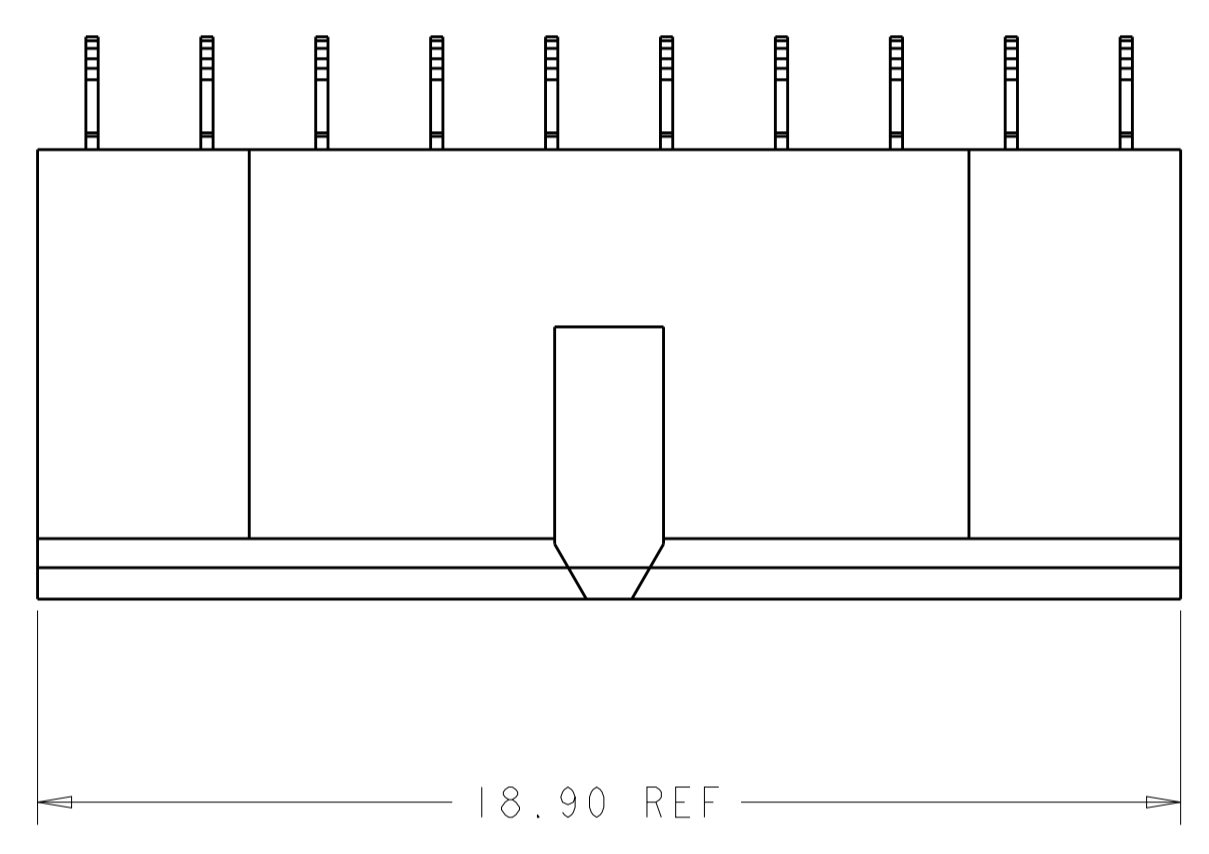
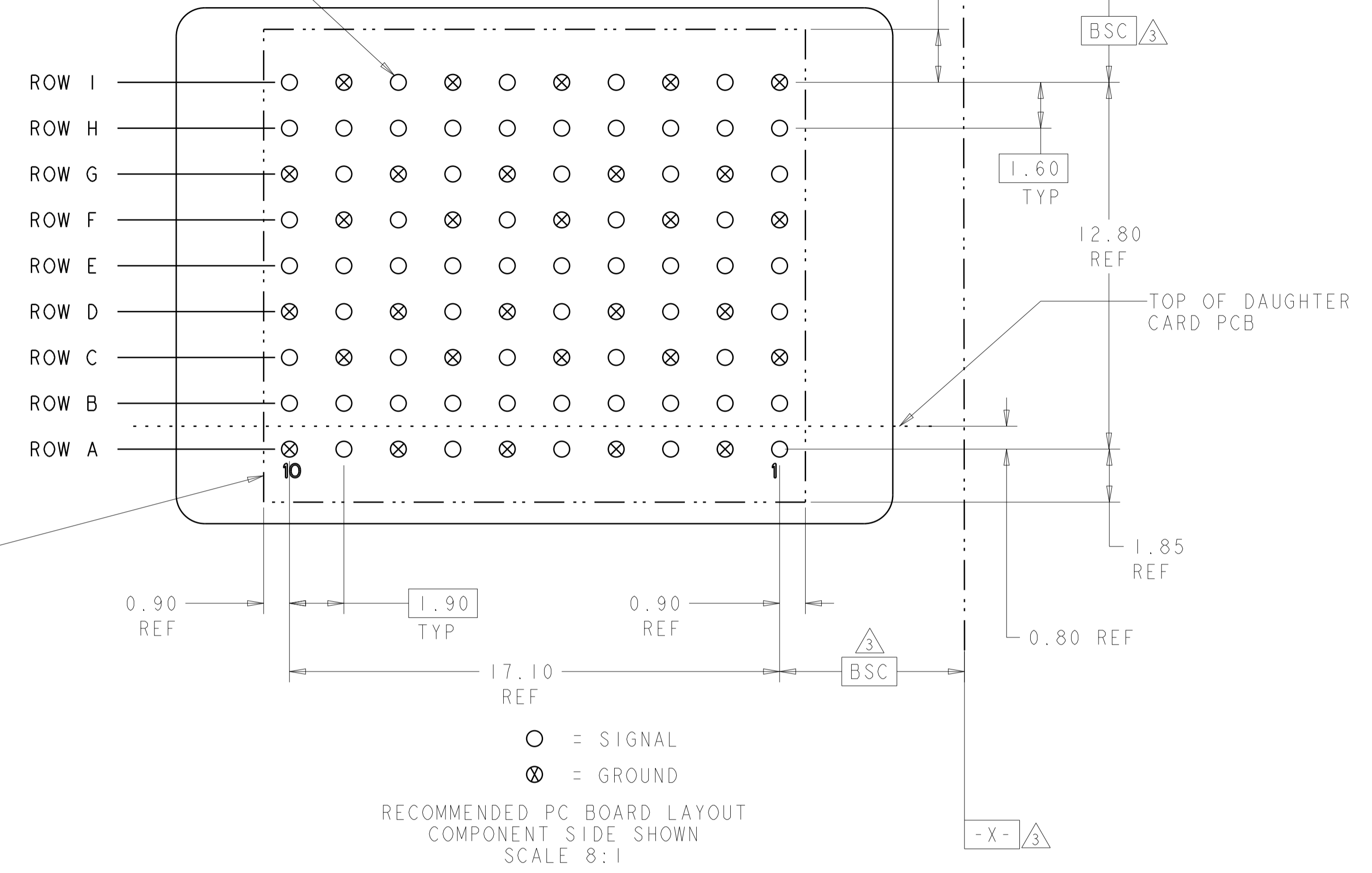


LOC	DIST	REV	DATE	BY	CHK	APPV
-	-	D	8-7-12	CT	DH	

- 1 MATERIAL:
CONTACT - COPPER ALLOY
HOUSING - LCP, COLOR - BLACK
- 2 FINISH:
MATING AREA: 1.27µm MIN GOLD OVER
1.25µm MIN NICKEL
- 3 DATUMS AND BASIC DIMENSIONS ESTABLISHED BY CUSTOMER.
- 4 REFERENCE APPLICATION SPEC 114-13267 FOR RECOMMENDED
PLATING THRU HOLE DIAMETER AND PLATING THICKNESSES.
- 5 FINISH:
COMPLIANT PIN AREA: 0.38µm MIN BRIGHT TIN LEAD OVER
1.27µm MIN NICKEL
- 6 FINISH:
COMPLIANT PIN AREA: 0.38µm MIN MATTE TIN OVER
1.27µm MIN NICKEL
- 7 FINISH:
COMPLIANT PIN AREA: 0.38µm MIN GOLD OVER
1.27µm MIN NICKEL

4
 $\oplus \text{ } \phi 0.05 \text{ } \ominus \text{ } X \text{ } Y$
 FINISHED HOLE SIZE
 AND PLATED THRU HOLES



1	2000896-3
2	2000896-2
3	2000896-1
FINISH	PART NUMBER

THIS DRAWING IS A CONTROLLED DOCUMENT.

DIMENSIONS:	TOLERANCES UNLESS OTHERWISE SPECIFIED:	OWN: D. BELACK 24JUN2009	APVD: M. McALONIS 2-24-2009
mm	0 PLC ±0.13 2 PLC ±0.05 3 PLC ± 4 PLC ± ANGLES ±	CHK: A. TSANG 2-24-2009	NAME: Fortis Zd. 10-COLUMN, 3-PAIR, VERTICAL CENTER MODULE ASSEMBLY
MATERIAL:	FINISH:	PRODUCT SPEC: 108-2409	APPLICATION SPEC: 114-13267
		SIZE: A1	CAGE CODE: 2000896
		WEIGHT: 3.38 g -2x	RESTRICTED TO:
		CUSTOMER DRAWING	SCALE: 8:1 SHEET 1 OF 1 REV E

STC TE Connectivity