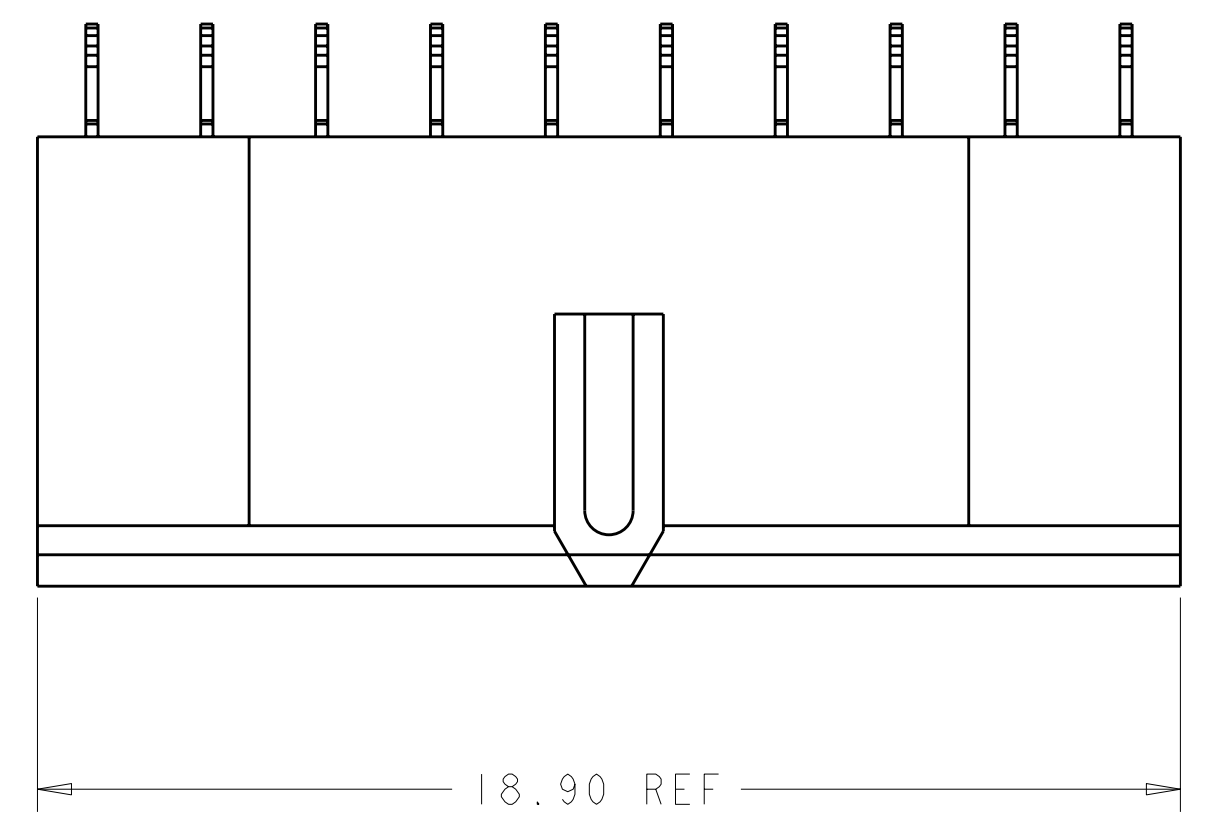
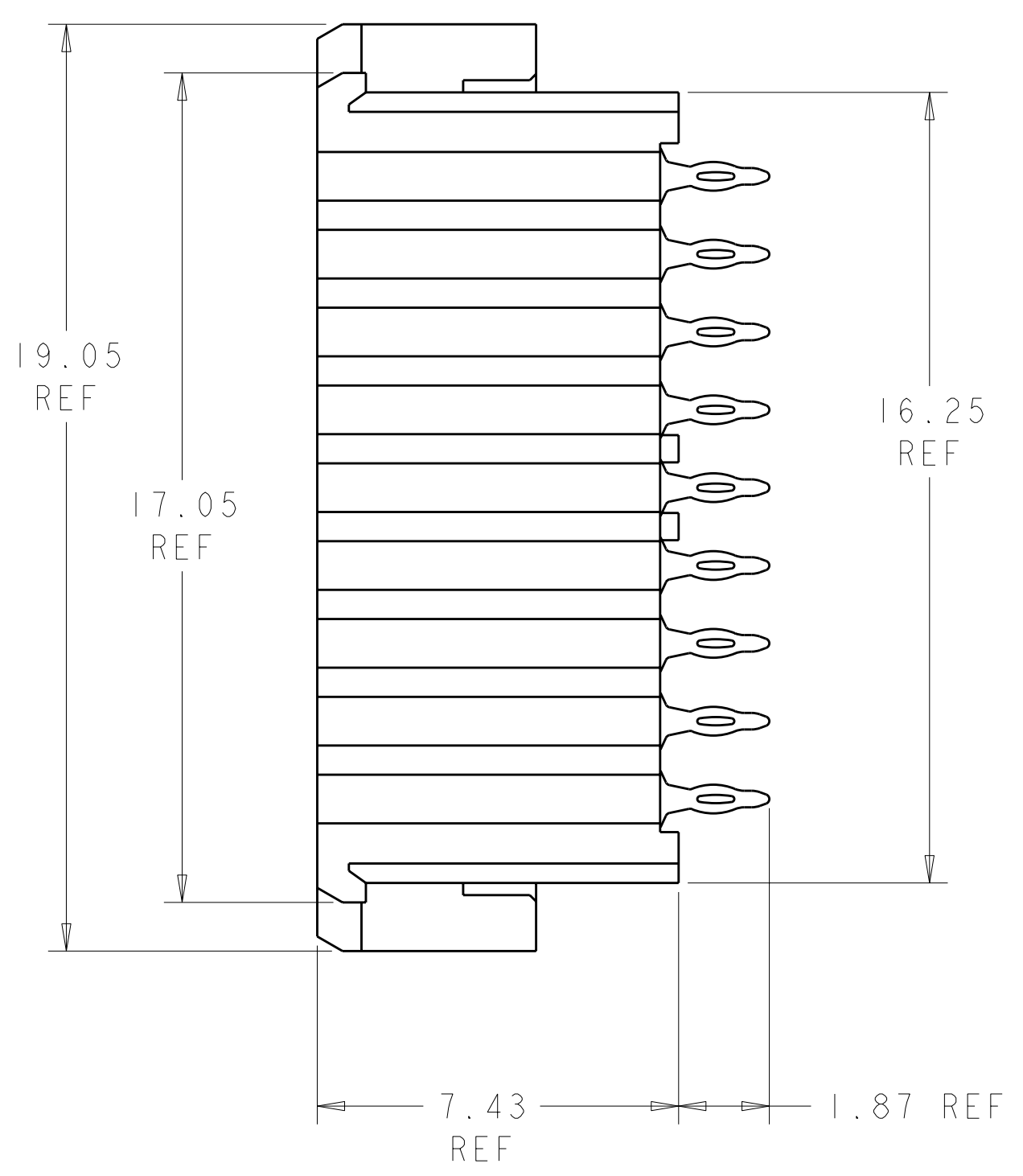
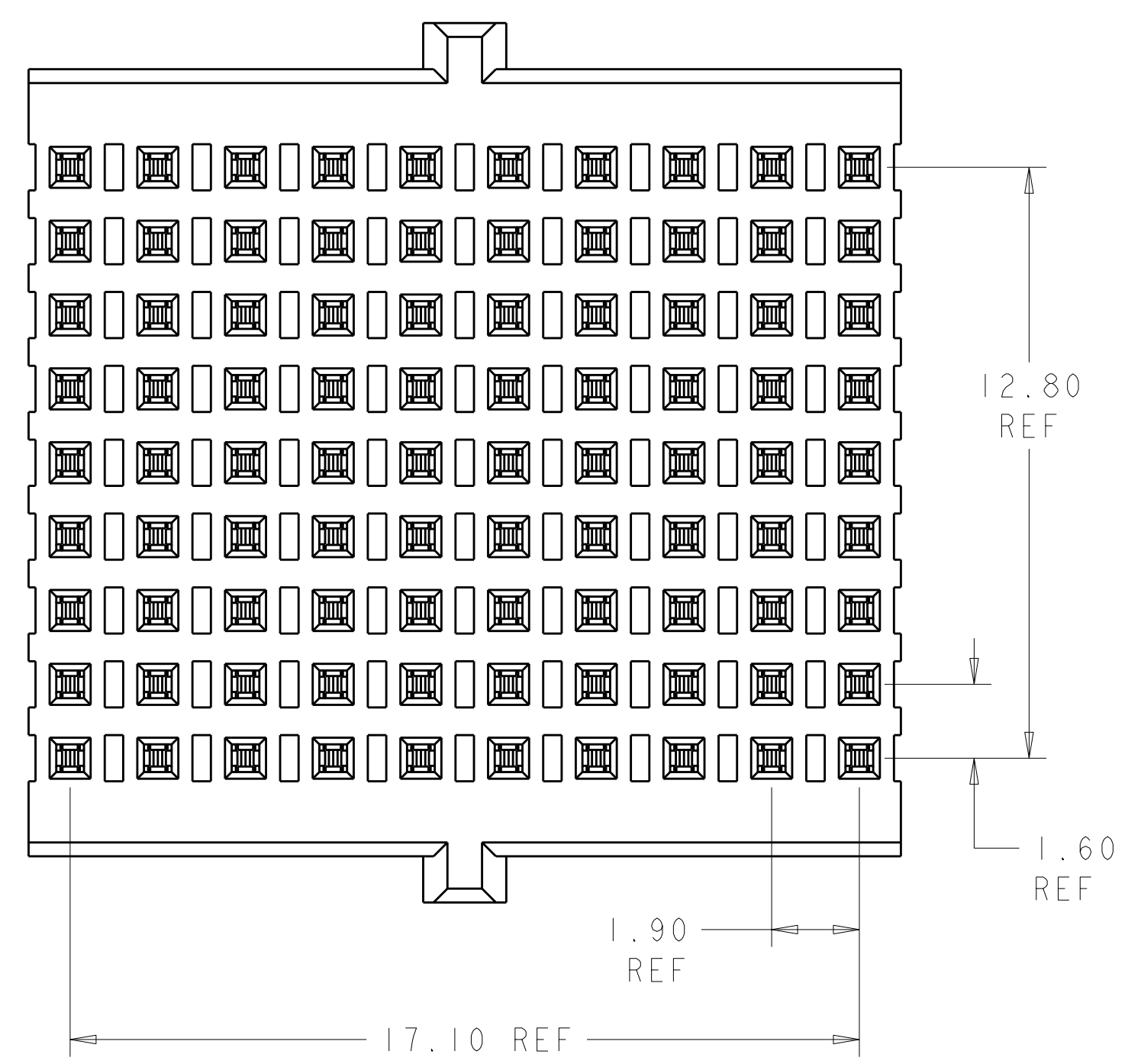
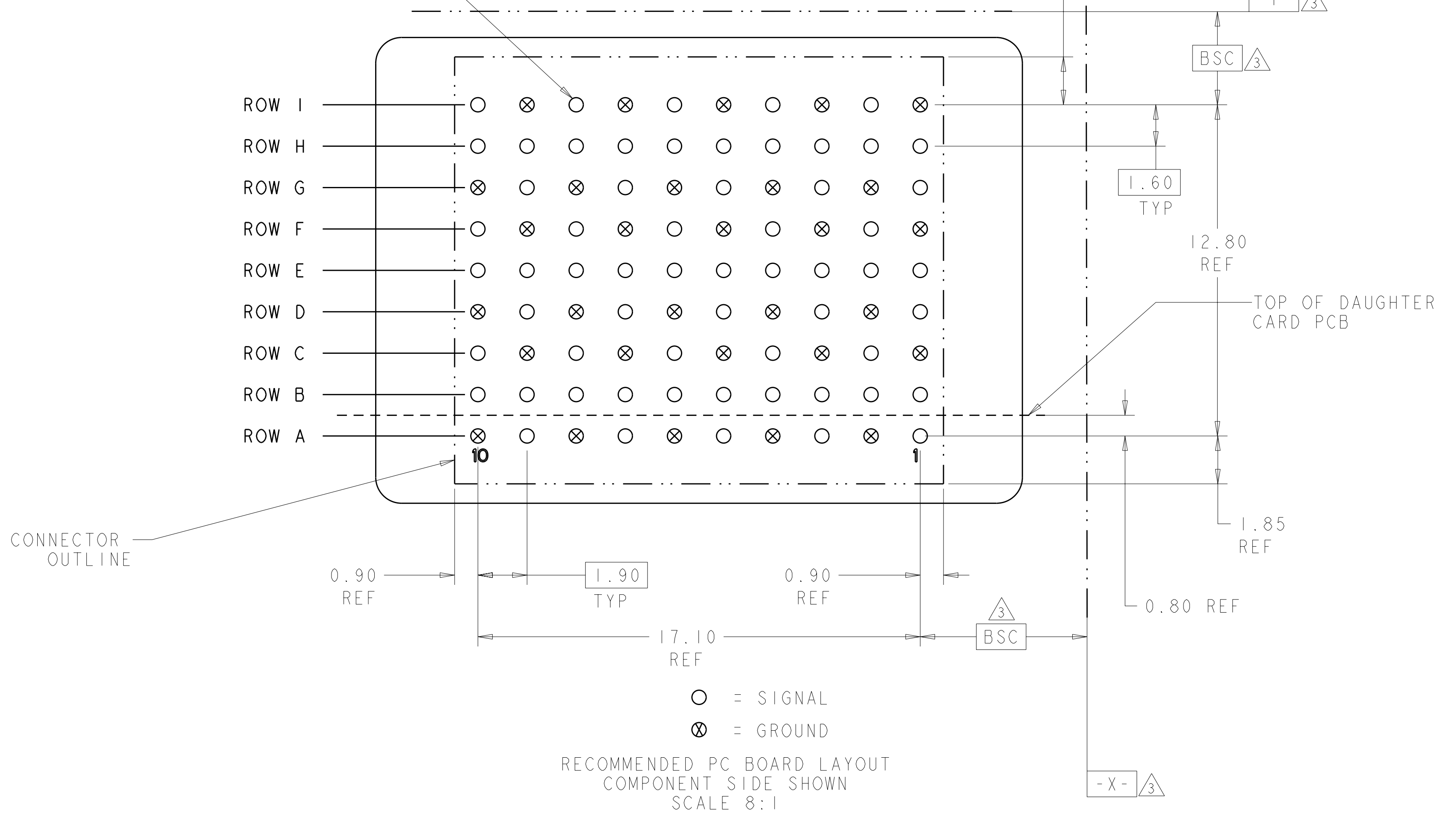


LOC	DIST	REV	DATE	BY	APPD
-	-	A	11-3-10	CT	RL



⊕ ∅0.05 X Y
 FINISHED HOLE SIZE
 AND PLATED THRU HOLES



- 1 MATERIAL:
 CONTACT - COPPER ALLOY
 HOUSING - LCP, COLOR - BLACK
- 2 FINISH:
 MATING AREA: 1.27µm MIN GOLD OVER
 3.81µm MIN NICKEL
 COMPLIANT PIN AREA: 0.5µm MIN SnPb
 OVER 1.27µm MIN NICKEL
- 3 DATUMS AND BASIC DIMENSIONS ESTABLISHED BY CUSTOMER.
- 4 REFERENCE APPLICATION SPEC 114-13267 FOR RECOMMENDED
 PLATING THRU HOLE DIAMETER AND PLATING THICKNESSES.

2000896-1
 PART NUMBER

THIS PRODUCT HAS NOT COMPLETED VALIDATION TESTING

DIMENSIONS:		TOLERANCES UNLESS OTHERWISE SPECIFIED:		DWN: D. BELACK 24JUN2009	
mm	9 PLC ±	0.13	3 PLC ±	CHK: A. TSANG	APVD: M. McALONIS
	4 PLC ±	0.05	ANGLES ±	NAME: Fortis Zd, 10-COLUMN, 3-PAIR, VERTICAL CENTER MODULE ASSEMBLY	
MATERIAL: 1	FINISH: 2	WEIGHT: -		SIZE: CAGE CODE: DRAWING NO: 114-13267	
CUSTOMER DRAWING		SCALE: 8:1		RESTRICTED TO: A 00779 C=2000896	