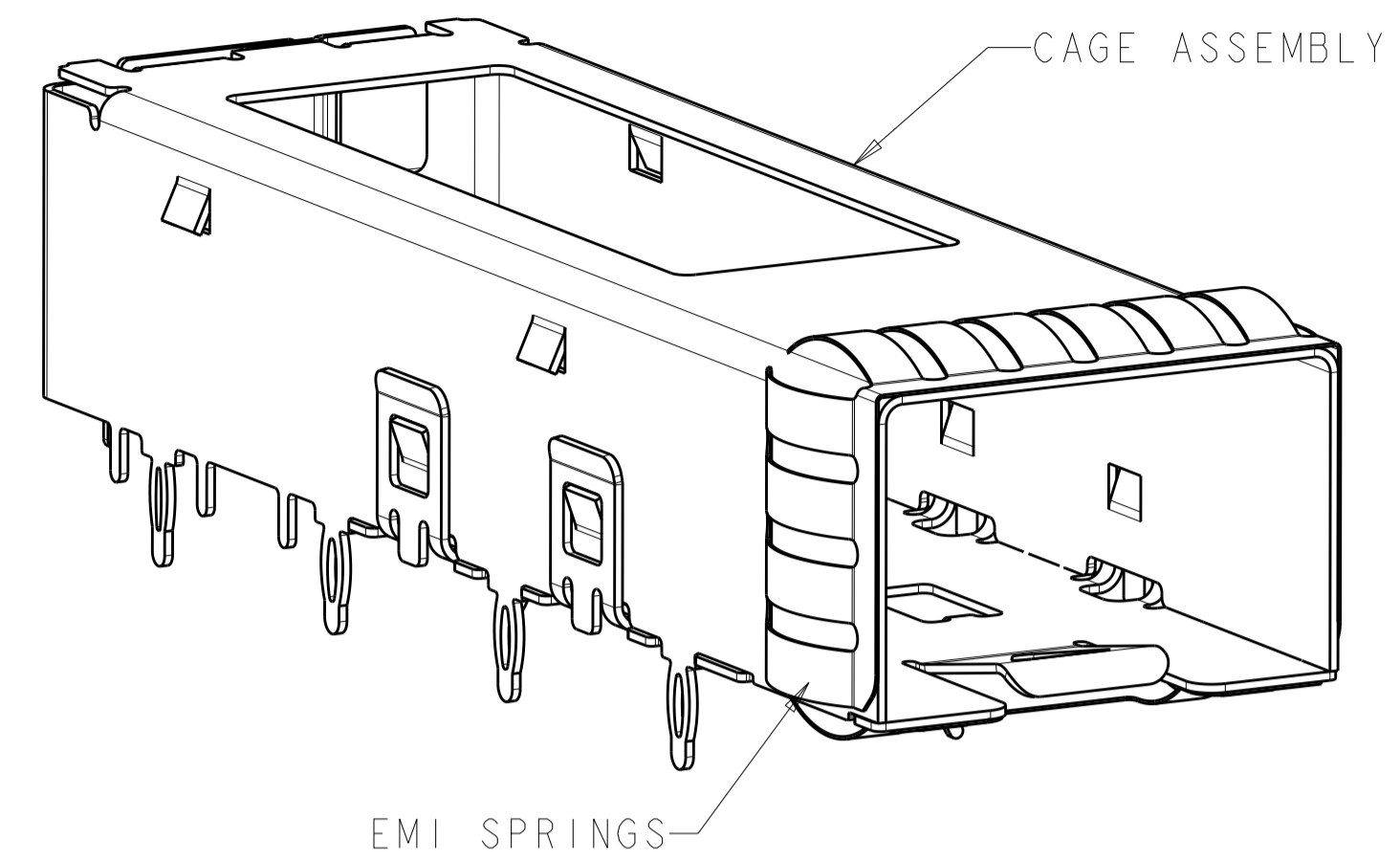
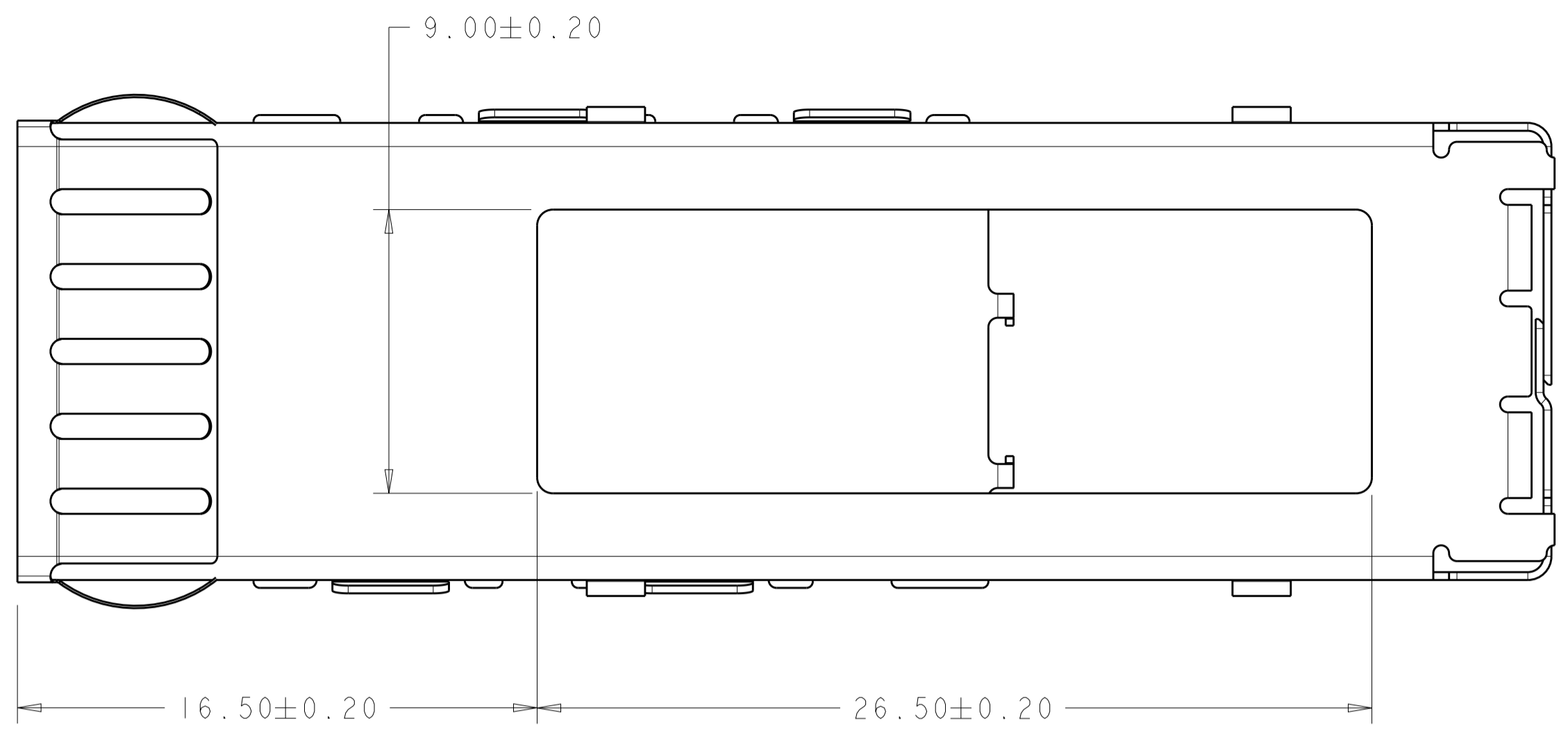


LOC	DIST	REVISIONS					
GP	00	P	LTN	DESCRIPTION	DATE	DWN	APVD
		B1		REVISED PER ECO-11-004835	11MAR2011	RK	HMR
		C		REVISED PER ECO-11-024172	07DEC2011	TX	AC
		C1		REVISED PER ECO-13-014018	09SEP2013	PP	SH

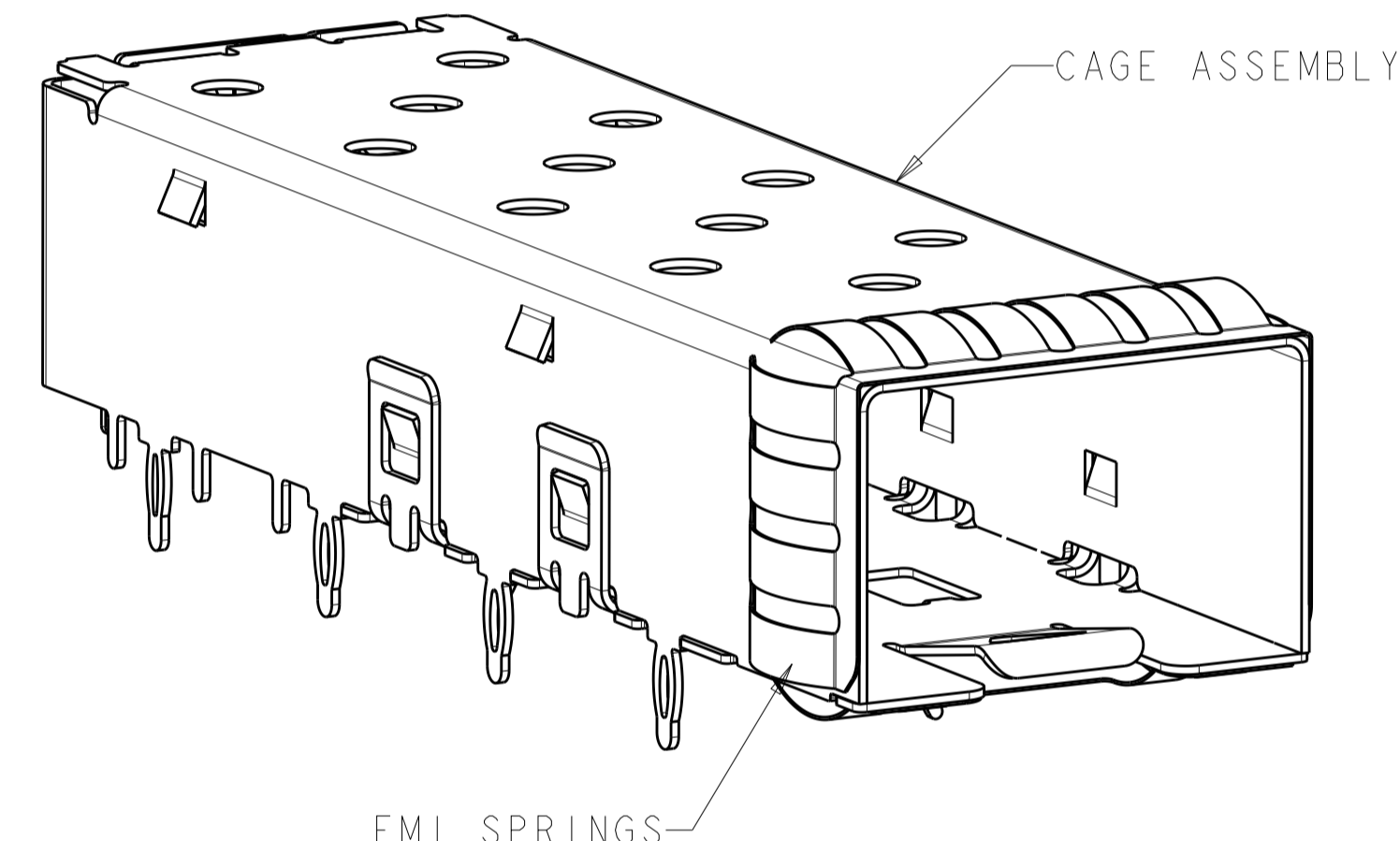


2007198-2  
SCALE 5:1

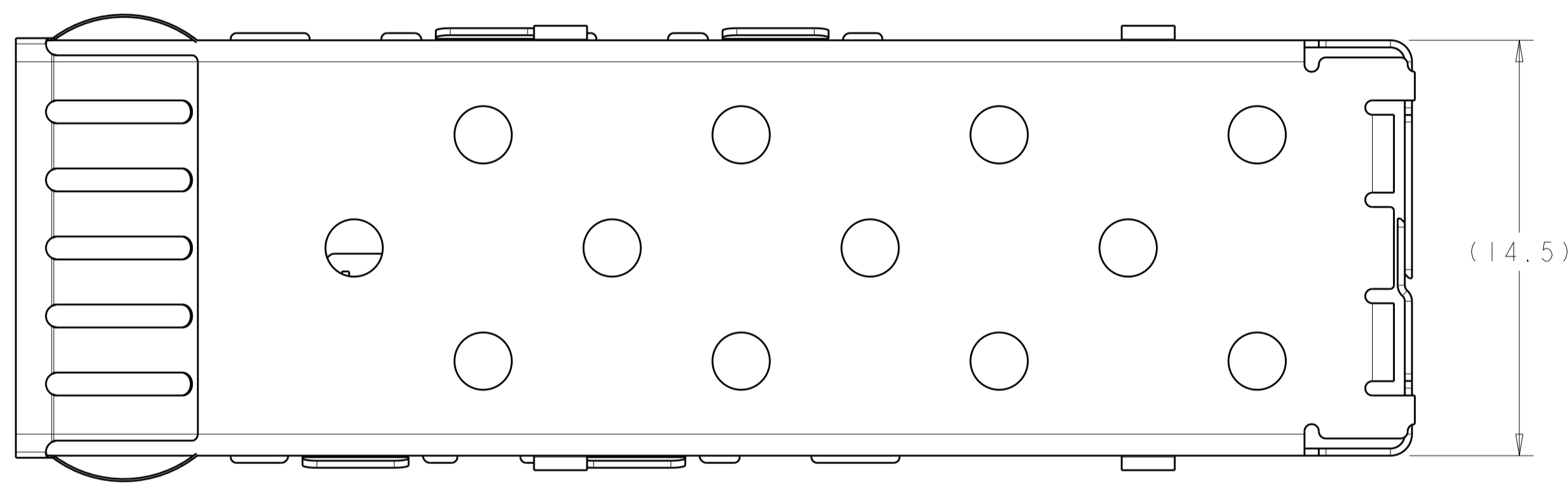


2007198-2  
SAME AS 2007198-1 EXCEPT AS SHOWN  
TOP VIEW

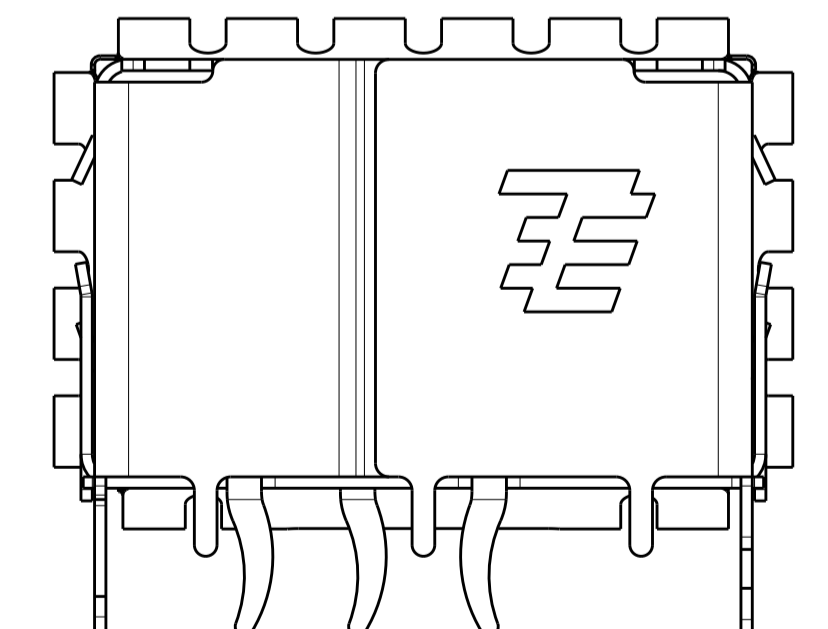
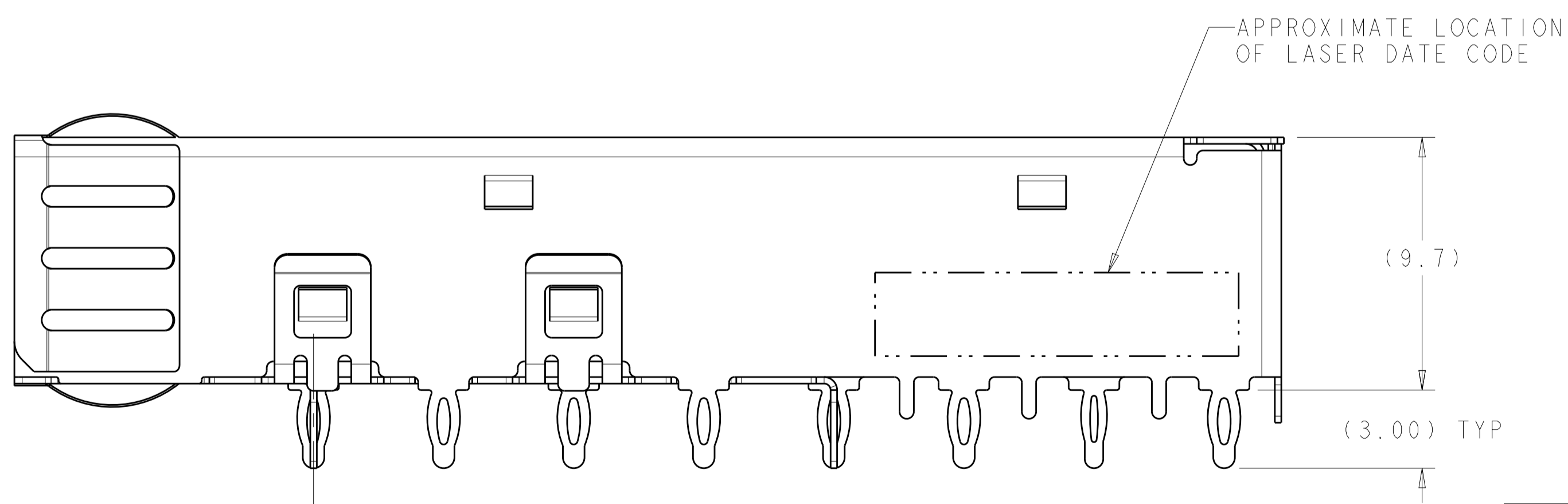
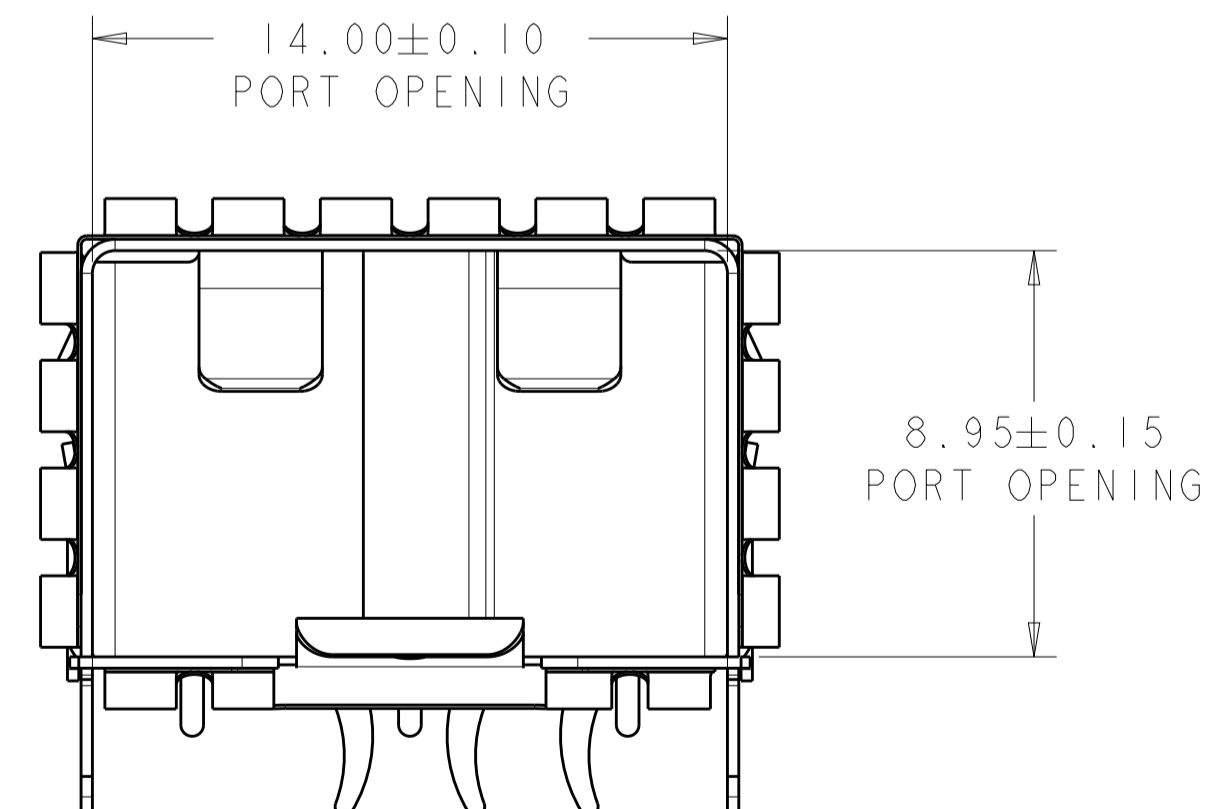
- 1 MATERIAL:  
CAGE ASSEMBLY - 0.25mm THICK NICKEL SILVER ALLOY.  
EMI SPRINGS - COPPER ALLOY.
- 2 FINISH  
EMI SPRINGS - 0.8um MIN MATTE TIN OVER 0.8um MIN NICKEL,  
NON-PLATED EDGES PERMISSIBLE.
- 3. MATES WITH SFP MSA COMPLIANT TRANSCEIVERS.
- 4 PADS AND VIAS CHASSIS GROUND.
- 5 DATUM AND BASIC DIMENSION ESTABLISHED BY CUSTOMER.
- 6. MINIMUM PC BOARD THICKNESS:  
SINGLE SIDED = 1.50 mm  
DOUBLE SIDED = 3.00 mm
- 7 REFERENCE APPLICATION SPEC. 114-13120, HOLE A, FOR  
RECOMMENDED DRILL HOLE DIAMETER AND PLATING THICKNESS.
- 8 REFERENCE APPLICATION SPEC. 114-13120, HOLE C, FOR  
RECOMMENDED DRILL HOLE DIAMETER AND PLATING THICKNESS.
- 9. NOTE DELETED



2007198-1  
SCALE 5:1



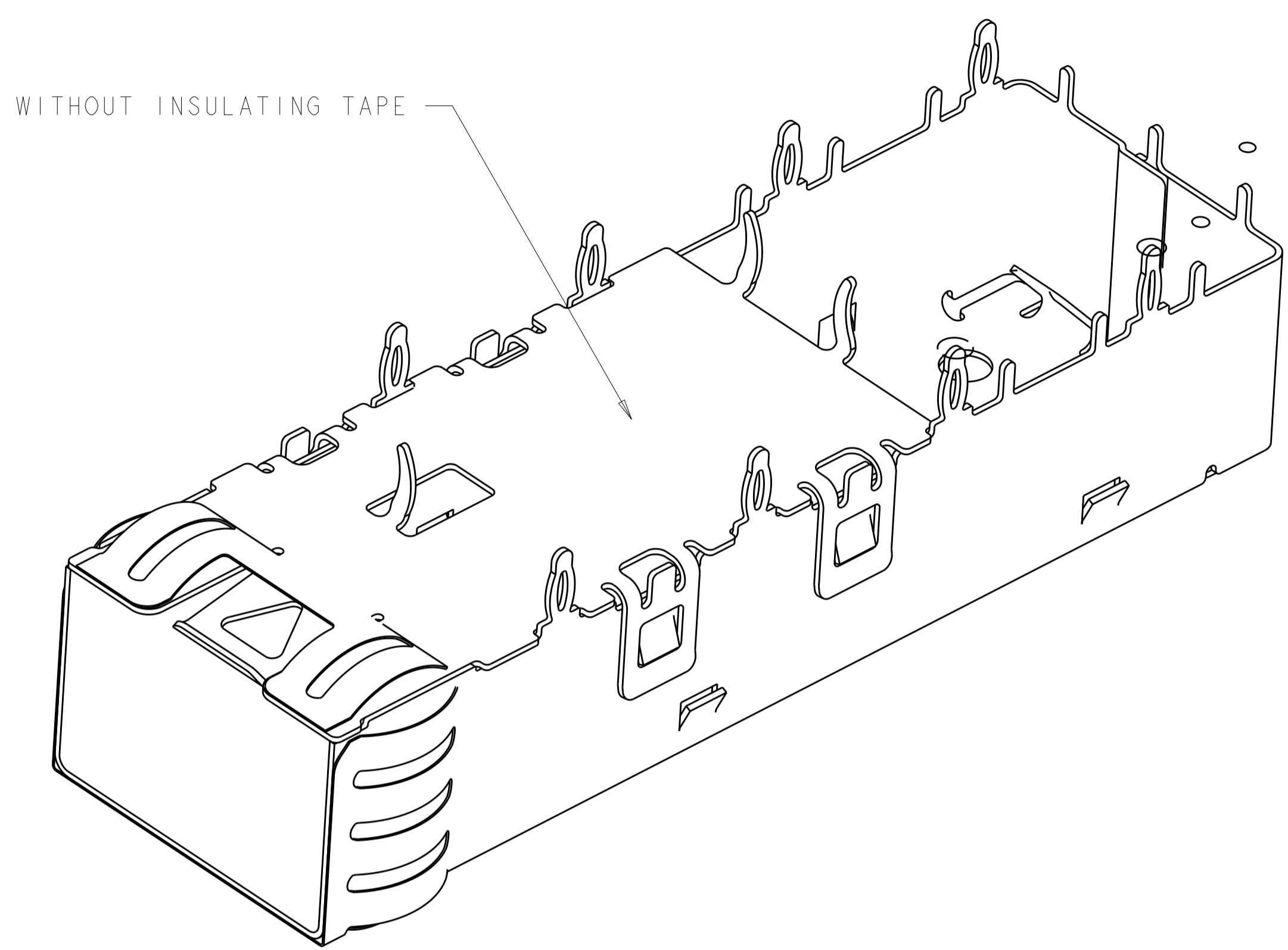
2007198-1  
TOP VIEW



INSULATING TAPE	DESCRIPTION	PART NUMBER
W/ INSULATING TAPE	EMI HOLES	2007198-5
W/O INSULATING TAPE	HEATSINK OPENING	2007198-2
W/O INSULATING TAPE	EMI HOLES	2007198-1

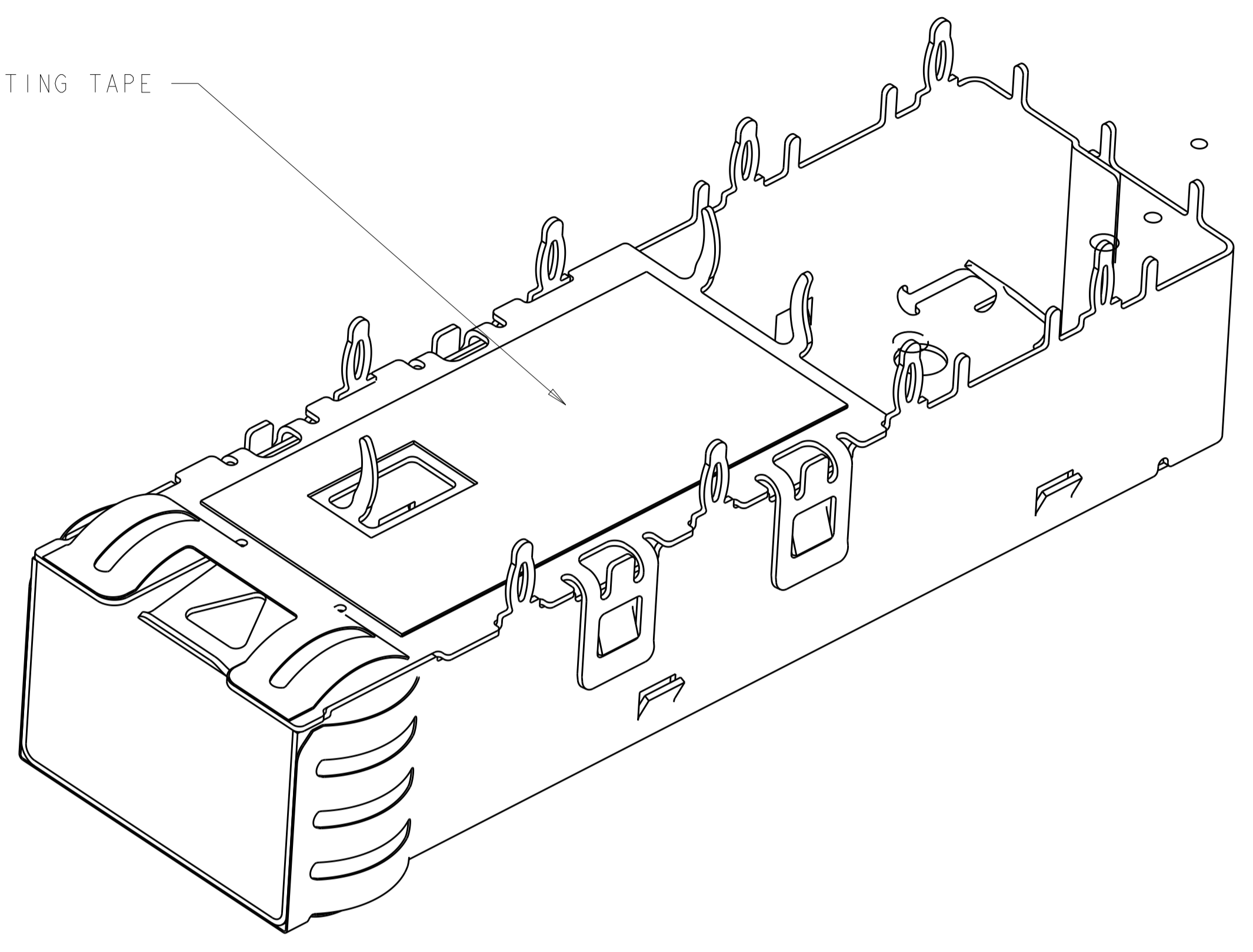
THIS DRAWING IS A CONTROLLED DOCUMENT.		DWN M. SCHMITT 07JUN07	TE Connectivity NAME SFP+ 1X1 CAGE ASSEMBLY, PRESS-FIT PRESS-FIT, EMI SPRINGS
DIMENSIONS: mm		CHK M. SCHMITT 07JUN07	
TOLERANCES UNLESS OTHERWISE SPECIFIED:		APVD B. WERTZ 07JUN07	PRODUCT SPEC 108-2364
0 PLC ±0.1	1 PLC ±0.5	APPLICATION SPEC 114-13120	SIZE CAGE CODE DRAWING NO A100779C=2007198
2 PLC ±0.5	3 PLC ±0.5	WEIGHT	RESTRICTED TO
4 PLC ±0.13	5 PLC ±0.13	Customer Drawing	SCALE 2:1 SHEET 1 OF 4 REV C1
ANGLES ±0.13	FINISH		

LOC	DIST	REVISIONS			
P	LTN	DESCRIPTION	DATE	DMN	APVD
-	-	SEE SHEET 1	-	-	-

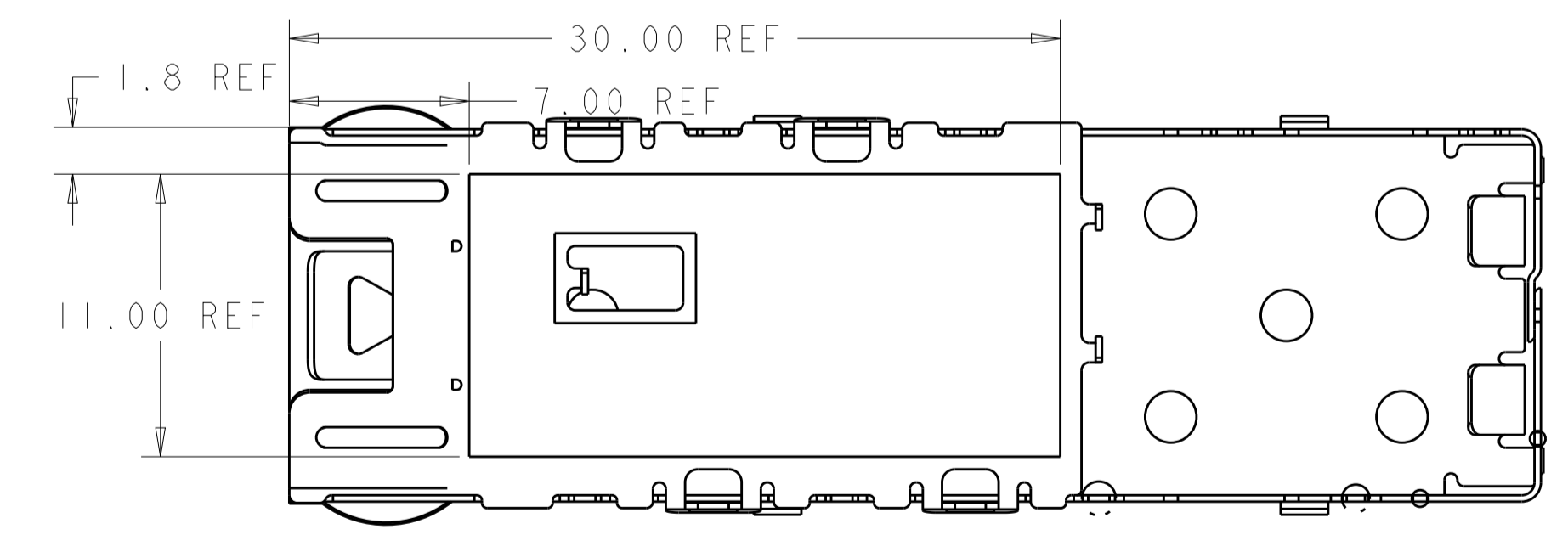


2007198-1,2 AS SHOWN WITHOUT INSULATING TAPE

WITH INSULATING TAPE



2007198-5 AS SHOWN WITH INSULATING TAPE



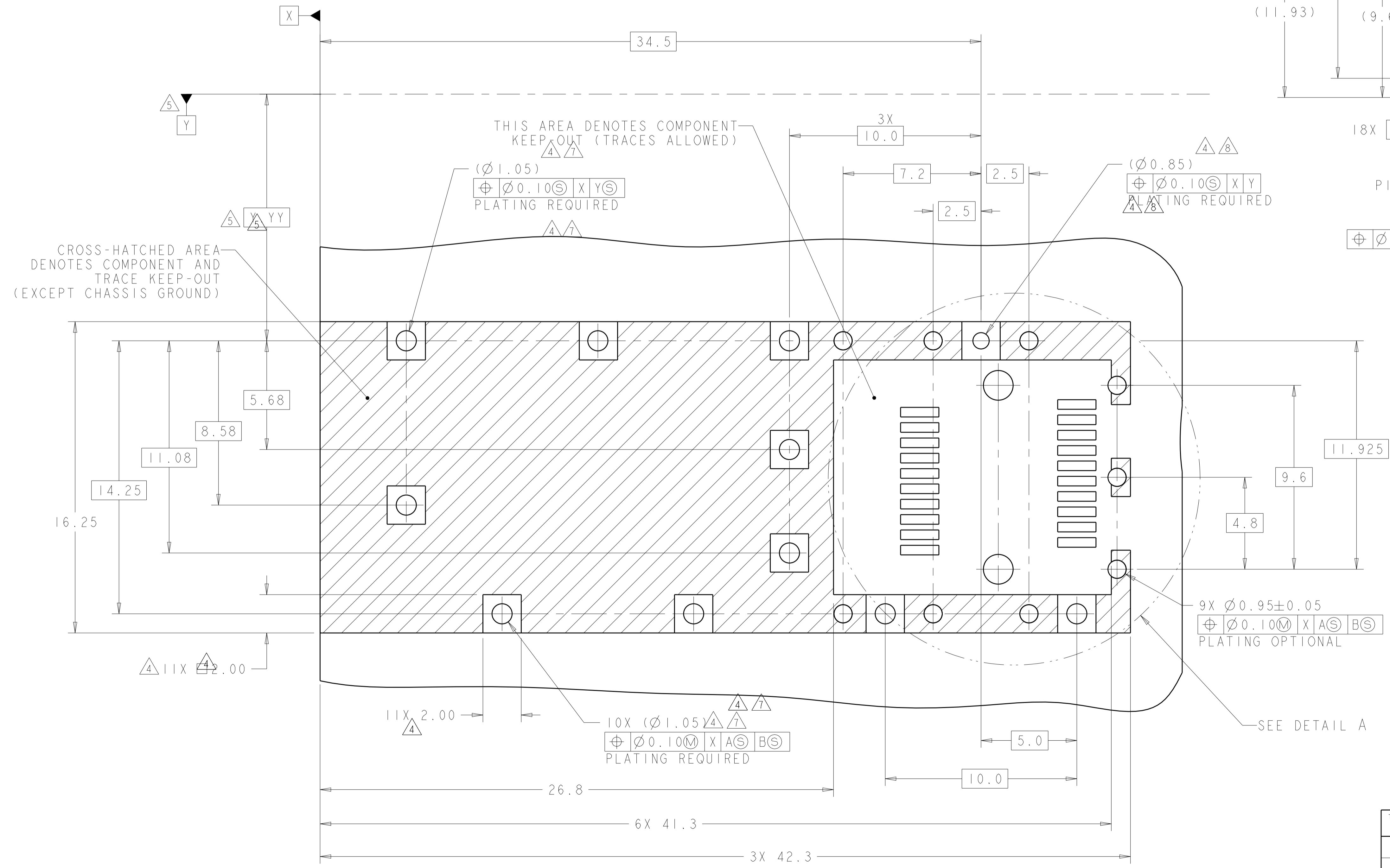
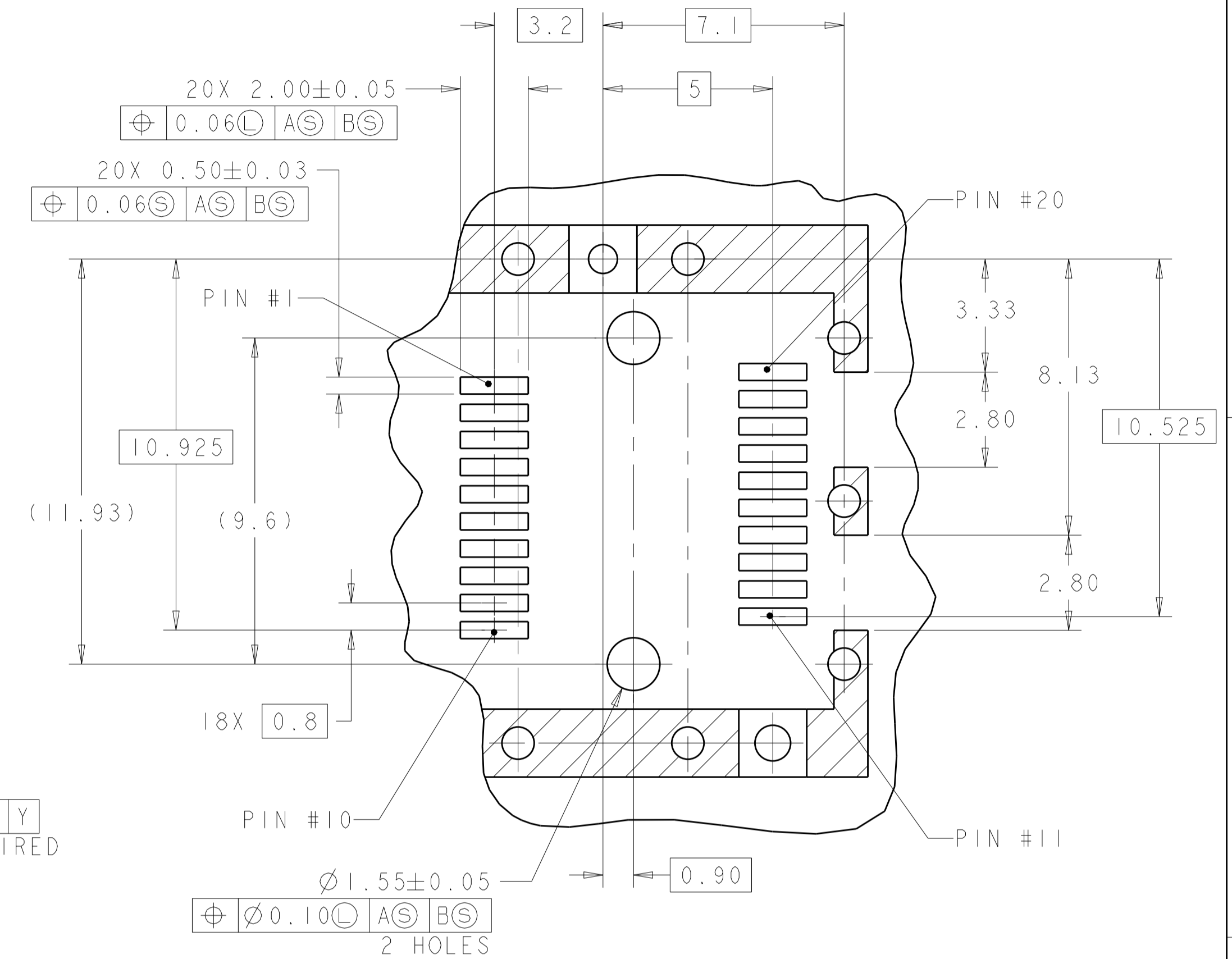
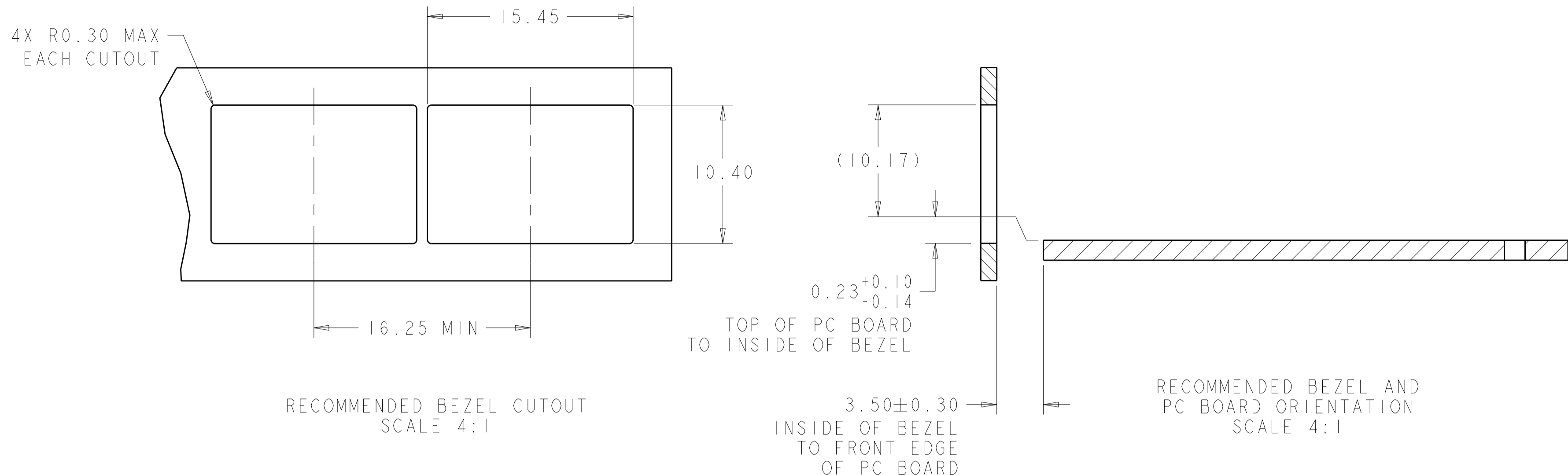
SCALE 4:1  
 2007198-5 AS SHOWN THE LOCATION OF THE TAPE

THIS DRAWING IS A CONTROLLED DOCUMENT.		DMN M. SCHMITT 07JUN07	
DIMENSIONS: mm		CHK M. SCHMITT 07JUN07	
TOLERANCES UNLESS OTHERWISE SPECIFIED:		APVD B. WERTZ 07JUN07	NAME SFP+ IXI CAGE ASSEMBLY, PRESS-FIT PRESS-FIT, EMI SPRINGS
0 PLC ±0.1	1 PLC ±0.5	PRODUCT SPEC 108-2364	SIZE CAGE CODE DRAWING NO RESTRICTED TO
2 PLC ±0.5	3 PLC ±0.5	APPLICATION SPEC 114-13120	A100779C=2007198
4 PLC ±0.13	ANGLES ±0.13	WEIGHT	SCALE 2:1 SHEET 2 OF 4 REV C1
MATERIAL FINISH	Customer Drawing		

LOC	DIST	REV	DATE	BY	APPV
GP	00				

REVISIONS			
REV	DATE	BY	APPV
-	-	-	-
-	-	-	-



THIS DRAWING IS A CONTROLLED DOCUMENT.		OWN: M. SCHMITT 07JUN07	TE Connectivity NAME: SFP+ IXI CAGE ASSEMBLY, PRESS-FIT PRESS-FIT, EMI SPRINGS
DIMENSIONS: mm		CHK: M. SCHMITT 07JUN07	
TOLERANCES UNLESS OTHERWISE SPECIFIED:		APPV: B. WERTZ 07JUN07	PRODUCT SPEC: 108-2364
0 PLC ±0.1		APPLICATION SPEC: 114-13120	SIZE: A100779C=2007198
1 PLC ±0.5		WEIGHT: -	RESTRICTED TO: -
2 PLC ±0.5		Customer Drawing	SCALE: 2:1 SHEET 3 OF 4 REV: C1
3 PLC ±0.13			
4 PLC ±0.13			
ANGLES ±0.13			

