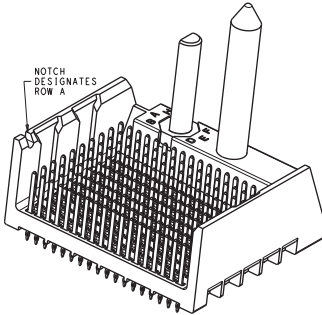


Backplane Header Assemblies

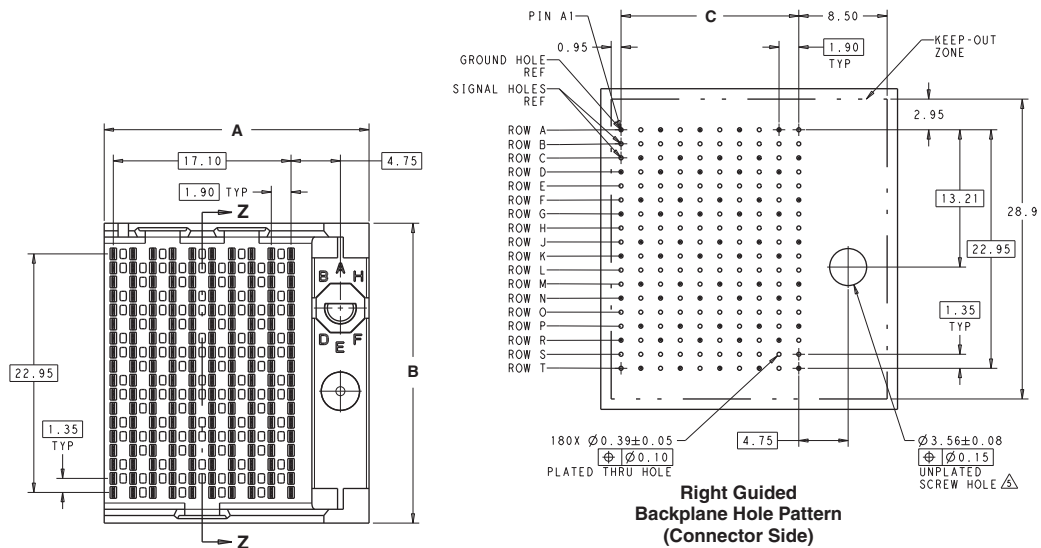
6 Pair Backplane Header Assemblies



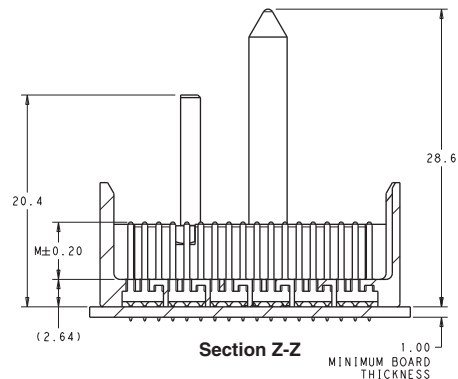
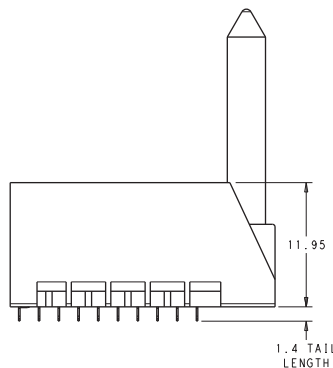
Column	Guide	Wall End	Part Number	Dimension			Application Tooling	Mates With
				A	B	C		
10	Left	Right	2007875-1	26.9	28.9	17.1	2018527-1	2007739-1
		Open	2007873-1	25.5	28.9	17.1	2018527-1	2007739-1
	Right	Left	2007879-1	26.9	28.9	17.1	2018527-1	2007740-1
		Open	2007877-1	25.5	28.9	17.1	2018527-1	2007740-1
	Unguided	Left	2007885-1	20.3	28.9	17.1	2018527-1	2007741-1
		Right	2007887-1	20.3	28.9	17.1	2018527-1	2007741-1
16	Left	Open	2007884-1	18.9	28.9	17.1	2018527-1	2007741-1
		Right	2007891-1	38.3	28.9	28.5	2018528-1	2007745-1
	Right	Left	2007889-1	36.9	28.9	28.5	2018528-1	2007745-1
		Open	2007895-1	38.3	28.9	28.5	2018528-1	2007746-1
	Unguided	Open	2007893-1	36.9	28.9	28.5	2018528-1	2007746-1
		Left	2007901-1	31.7	28.9	28.5	2018528-1	2007747-1
	Unguided	Right	2007903-1	31.7	28.9	28.5	2018528-1	2007747-1
		Dual	2007902-1	33.1	28.9	28.5	2018528-1	2007747-1
	Open	2007900-1	30.3	28.9	28.5	2018528-1	2007747-1	

Note: 10 column part number 2007877-1 is pictured below.

All the numbers provided are for 0.39mm PCB plated thru hole use. Part numbers are available for 0.46mm PCB plated thru holes by contacting the respective country product information center listed on the bottom of each page.



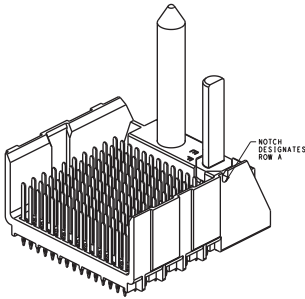
Key Position Chart	
	None



Visit the IMPACT connector webpage at: www.te.com/products/Impact

Backplane Header Assemblies (Continued)

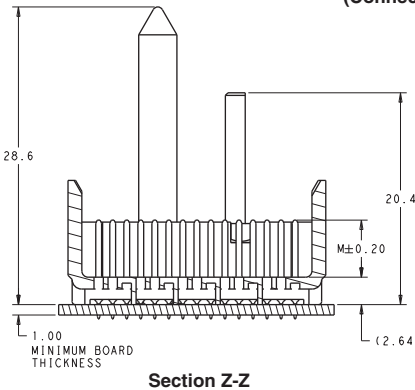
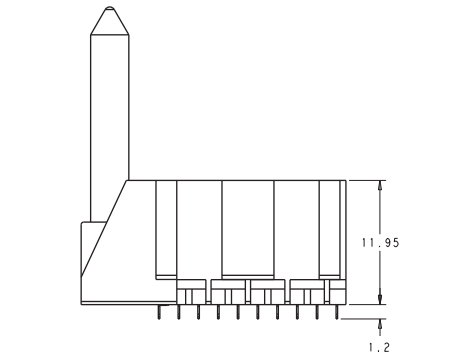
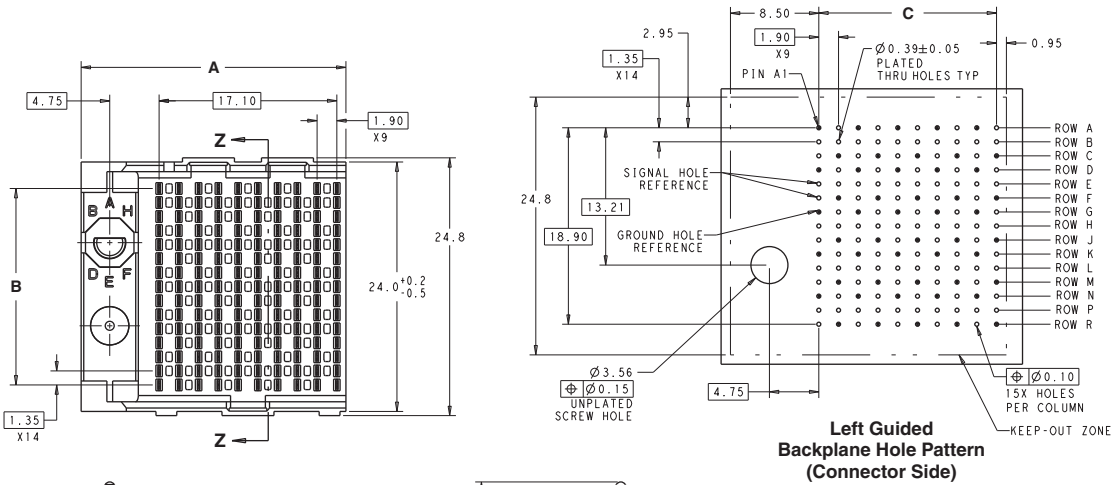
5 Pair Backplane Header Assemblies



Column	Guide	Wall End	Part Number	Dimension			Application Tooling	Mates With
				A	B	C		
10	Left	Right	2007843-1	26.9	24.8	17.1	2018446-1	2110104-1
		Open	2007841-1	25.5	24.8	17.1	2018446-1	2110104-1
	Right	Left	2007847-1	26.9	24.8	17.1	2018446-1	2110105-1
		Open	2007845-1	25.5	24.8	17.1	2018446-1	2110105-1
	Unguided	Left	2007853-1	20.3	24.8	17.1	2018446-1	2110106-1
		Right	2007855-1	20.3	24.8	17.1	2018446-1	2110106-1
		Dual	2007854-1	21.7	24.8	17.1	2018446-1	2110106-1
		Open	2007852-1	18.9	24.8	17.1	2018446-1	2110106-1
16	Left	Right	2007853-1	38.3	24.8	28.5	2018525-1	2110122-1
		Open	2007857-1	36.9	24.8	28.5	2018525-1	2110122-1
	Right	Left	2007863-1	38.3	24.8	28.5	2018525-1	2110123-1
		Open	2007861-1	36.9	24.8	28.5	2018525-1	2110123-1
	Unguided	Left	2007869-1	31.7	24.8	28.5	2018525-1	2110124-1
		Right	2007871-1	31.7	24.8	28.5	2018525-1	2110124-1
		Dual	2007870-1	33.1	24.8	28.5	2018525-1	2110124-1
		Open	2007868-1	30.3	24.8	28.5	2018525-1	2110124-1

Note: 10 column part number 2007841-1 is pictured below.

All the numbers provided are for 0.39mm PCB plated thru hole use. Part numbers are available for 0.46mm PCB plated thru holes by contacting the respective country product information center listed on the bottom of each page.

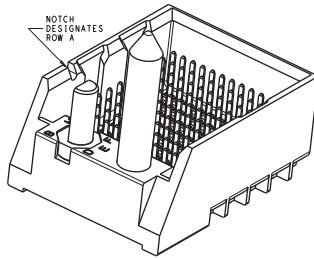


Key Position Chart	
A	None
B	E
C	F
D	G
E	H

Visit the IMPACT connector webpage at: www.te.com/products/Impact

Backplane Header Assemblies (Continued)

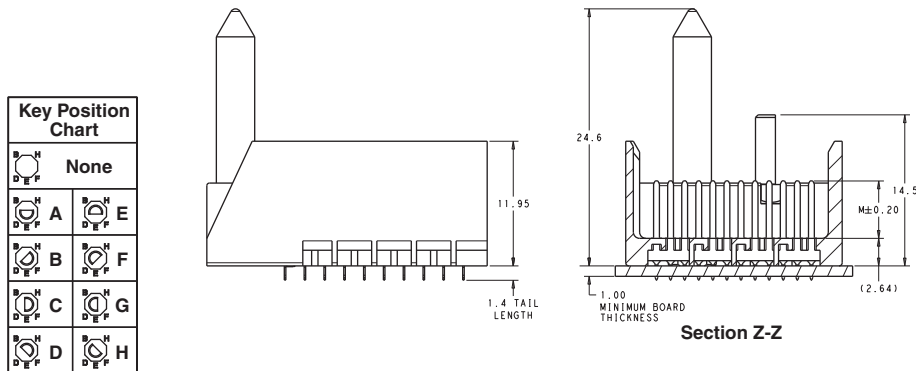
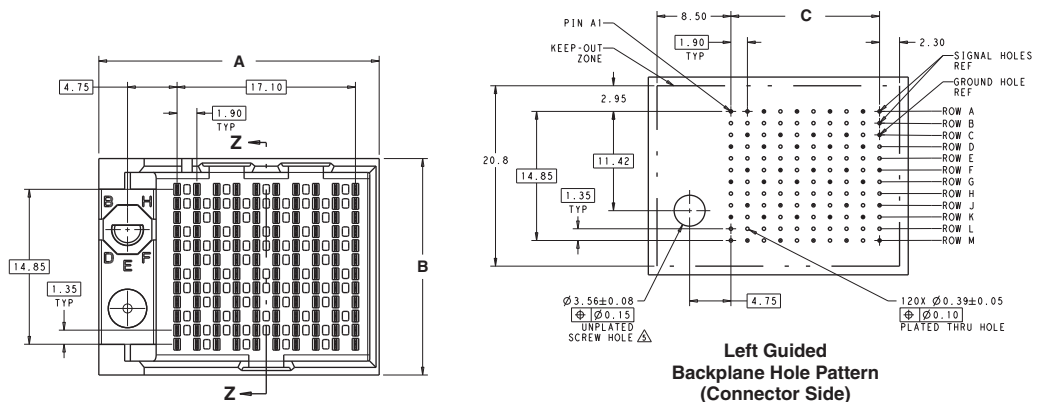
4 Pair Backplane Header Assemblies



Column	Guide	Wall End	Part Number	Dimension			Application Tooling	Mates With
				A	B	C		
10	Left	Right	2007811-1	26.9	20.8	17.1	2018524-1	2007715-1
		Open	2007809-1	25.5	20.8	17.1	2018524-1	2007715-1
	Right	Left	2007815-1	26.9	20.8	17.1	2018524-1	2007716-1
		Open	2007813-1	25.5	20.8	17.1	2018524-1	2007716-1
	Unguided	Left	2007821-1	20.3	20.8	17.1	2018524-1	2007717-1
		Right	2007823-1	20.3	20.8	17.1	2018524-1	2007717-1
		Dual	2007822-1	21.7	20.8	17.1	2018524-1	2007717-1
		Open	2007820-1	18.9	20.8	17.1	2018524-1	2007717-1
16	Left	Right	2007827-1	38.3	20.8	28.5	2018513-1	2007721-1
		Open	2007825-1	36.9	20.8	28.5	2018513-1	2007721-1
	Right	Left	2007831-1	38.3	20.8	28.5	2018513-1	2007722-1
		Open	2007829-1	36.9	20.8	28.5	2018513-1	2007722-1
	Unguided	Left	2007837-1	31.7	20.8	28.5	2018513-1	2007723-1
		Right	2007839-1	31.7	20.8	28.5	2018513-1	2007723-1
		Dual	2007838-1	33.1	20.8	28.5	2018513-1	2007723-1
		Open	2007836-1	30.3	20.8	28.5	2018513-1	2007723-1

Note: 10 column part number 2007811-1 is pictured below.

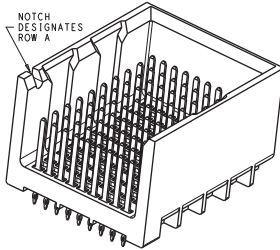
All the numbers provided are for 0.39mm PCB plated thru hole use. Part numbers are available for 0.46mm PCB plated thru holes by contacting the respective country product information center listed on the bottom of each page.



Visit the IMPACT connector webpage at: www.te.com/products/Impact

Backplane Header Assemblies (Continued)

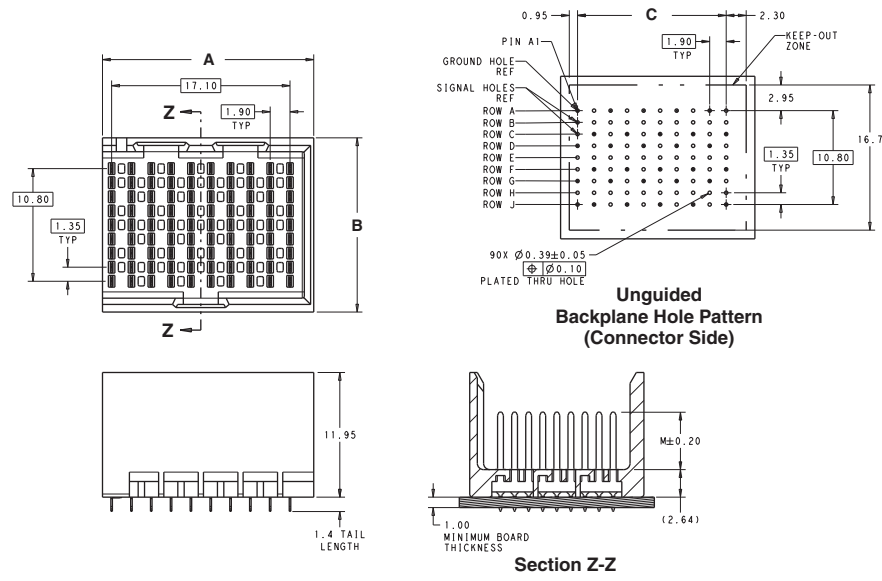
3 Pair Backplane Header Assemblies



Column	Guide	Wall End	Part Number	Dimension			Application Tooling	Mates With	
				A	B	C			
10	Left	Right	2007779-1	26.9	16.7	17.1	2018377-1	2007703-1	
		Open	2007777-1	25.5	16.7	17.1	2018377-1	2007703-1	
	Right	Left	2007783-1	26.9	16.7	17.1	2018377-1	2007704-1	
		Open	2007781-1	25.5	16.7	17.1	2018377-1	2007704-1	
	Unguided	Left	2007789-1	20.3	16.7	17.1	2018377-1	2007705-1	
		Right	2007791-1	20.3	16.7	17.1	2018377-1	2007705-1	
		Dual	2007790-1	21.7	16.7	17.1	2018377-1	2007705-1	
		Open	2007788-1	18.9	16.7	17.1	2018377-1	2007705-1	
	16	Left	Right	2007795-1	38.3	16.7	28.5	2018378-1	2007709-1
			Open	2007793-1	36.9	16.7	28.5	2018378-1	2007709-1
Right		Left	2007799-1	38.3	16.7	28.5	2018378-1	2007710-1	
		Open	2007797-1	36.9	16.7	28.5	2018378-1	2007710-1	
Unguided		Left	2007805-1	31.7	16.7	28.5	2018378-1	2007711-1	
		Right	2007807-1	31.7	16.7	28.5	2018378-1	2007711-1	
		Dual	2007806-1	33.1	16.7	28.5	2018378-1	2007711-1	
		Open	2007804-1	30.3	16.7	28.5	2018378-1	2007711-1	

Note: 10 column part number 2007791-1 is pictured below.

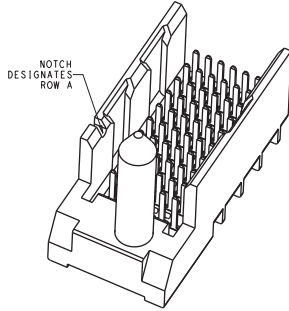
All the numbers provided are for 0.39mm PCB plated thru hole use. Part numbers are available for 0.46mm PCB plated thru holes by contacting the respective country product information center listed on the bottom of each page.



Visit the IMPACT connector webpage at: www.te.com/products/Impact

Backplane Header Assemblies (Continued)

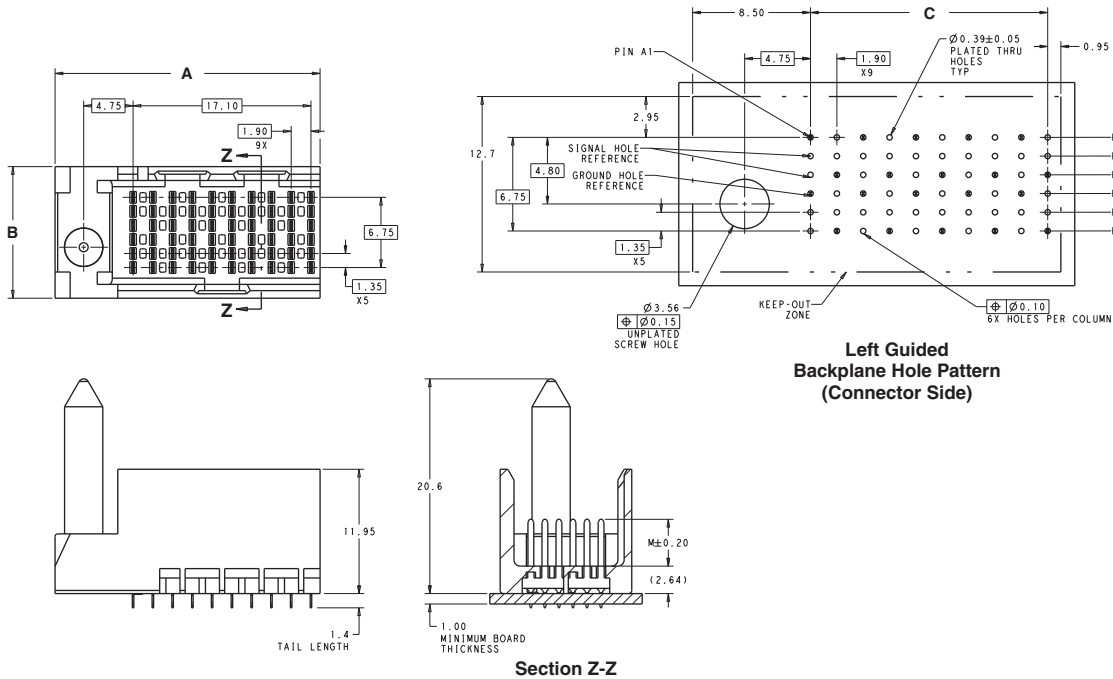
2 Pair Backplane Header Assemblies



Column	Guide	Wall End	Part Number	Dimension			Application Tooling	Mates With
				A	B	C		
10	Left	Right	2057421-1	26.9	12.7	17.1	2018536-1	2057403-1
		Open	2057419-1	25.5	12.7	17.1	2018536-1	2057403-1
	Right	Left	2057425-1	25.5	12.7	17.1	2018536-1	2057404-1
		Open	2057423-1	26.9	12.7	17.1	2018536-1	2057404-1
	Unguided	Left	2057431-1	20.3	12.7	17.1	2018536-1	2057405-1
		Right	2057433-1	20.3	12.7	17.1	2018536-1	2057405-1
		Dual	2057432-1	21.7	12.7	17.1	2018536-1	2057405-1
		Open	2057430-1	18.9	12.7	17.1	2018536-1	2057405-1
		Left	2057739-1	38.3	12.7	28.5	2018537-1	2057409-1
		Open	2057737-1	36.9	12.7	28.5	2018537-1	2057409-1
16	Right	Left	2057743-1	38.3	12.7	28.5	2018537-1	2057410-1
		Open	2057741-1	36.9	12.7	28.5	2018537-1	2057410-1
		Left	2057749-1	31.7	12.7	28.5	2018537-1	2057411-1
	Unguided	Right	2057751-1	31.7	12.7	28.5	2018537-1	2057411-1
		Dual	2057750-1	33.1	12.7	28.5	2018537-1	2057411-1
		Open	2057748-1	30.3	12.7	28.5	2018537-1	2057411-1

Note: 10 column part number 2057419-1 is pictured below.

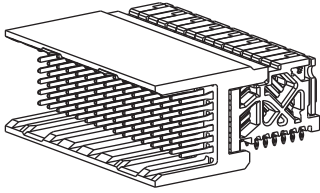
All the numbers provided are for 0.39mm PCB plated thru hole use. Part numbers are available for 0.46mm PCB plated thru holes by contacting the respective country product information center listed on the bottom of each page.



Visit the IMPACT connector webpage at: www.te.com/products/Impact

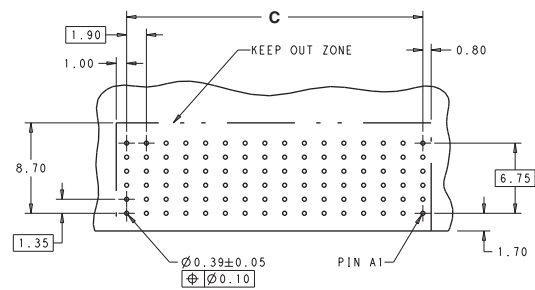
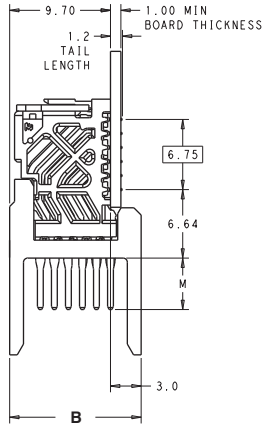
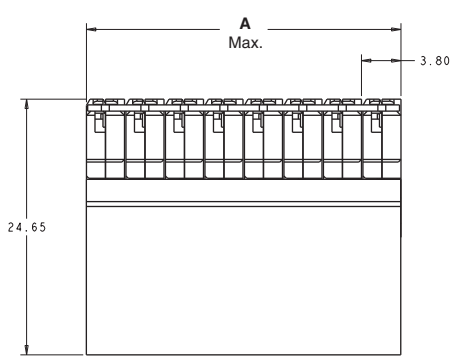
Coplanar Header (RAM) Assemblies (Continued)

2 Pair Coplanar Header (RAM) Assemblies

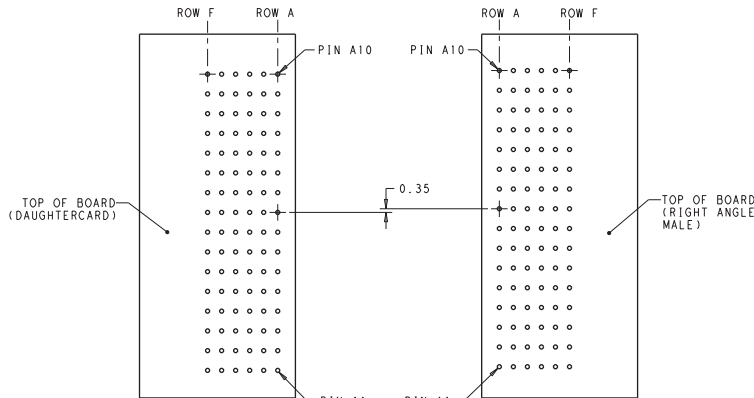
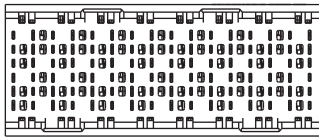


Column	Guide	Wall End	Part Number	Dimension			Application Tooling	Mates With
				A	B	C		
10	Left	Right	2143017-2	28	12.7	17.1	2018779-1	2057404-1
		Open	2143016-2	26.6	12.7	17.1	2018779-1	2057404-1
	Right	Left	2143019-2	28	12.7	17.1	2018779-1	2057403-1
		Open	2143018-2	26.6	12.7	17.1	2018779-1	2057403-1
	Unguided	Left	2143013-2	20.4	12.7	17.1	2018779-1	2057405-1
		Right	2143015-2	20.4	12.7	17.1	2018779-1	2057405-1
		Dual	2143014-2	21.8	12.7	17.1	2018779-1	2057405-1
		Open	2143012-2	19	12.7	17.1	2018779-1	2057405-1
16	Left	Right	2143314-2	39.4	12.7	28.5	2018779-2	2057410-1
		Open	2143313-2	38	12.7	28.5	2018779-2	2057410-1
	Right	Left	2143316-2	39.4	12.7	28.5	2018779-2	2057409-1
		Open	2143315-2	38	12.7	28.5	2018779-2	2057409-1
	Unguided	Left	2143310-2	31.8	12.7	28.5	2018779-2	2057411-1
		Right	2143312-2	31.8	12.7	28.5	2018779-2	2057411-1
		Dual	2143311-2	33.2	12.7	28.5	2018779-2	2057411-1
		Open	2143309-2	30.4	12.7	28.5	2018779-2	2057411-1

Note: 16 column part number 2143309-1 is pictured below.



Recommended PCB Layout



Coplanar Mated Signal Paths



Left Guided Right Angle Male Mates To Right Guided Right Angle Receptacle

Visit the IMPACT connector webpage at: www.te.com/products/Impact