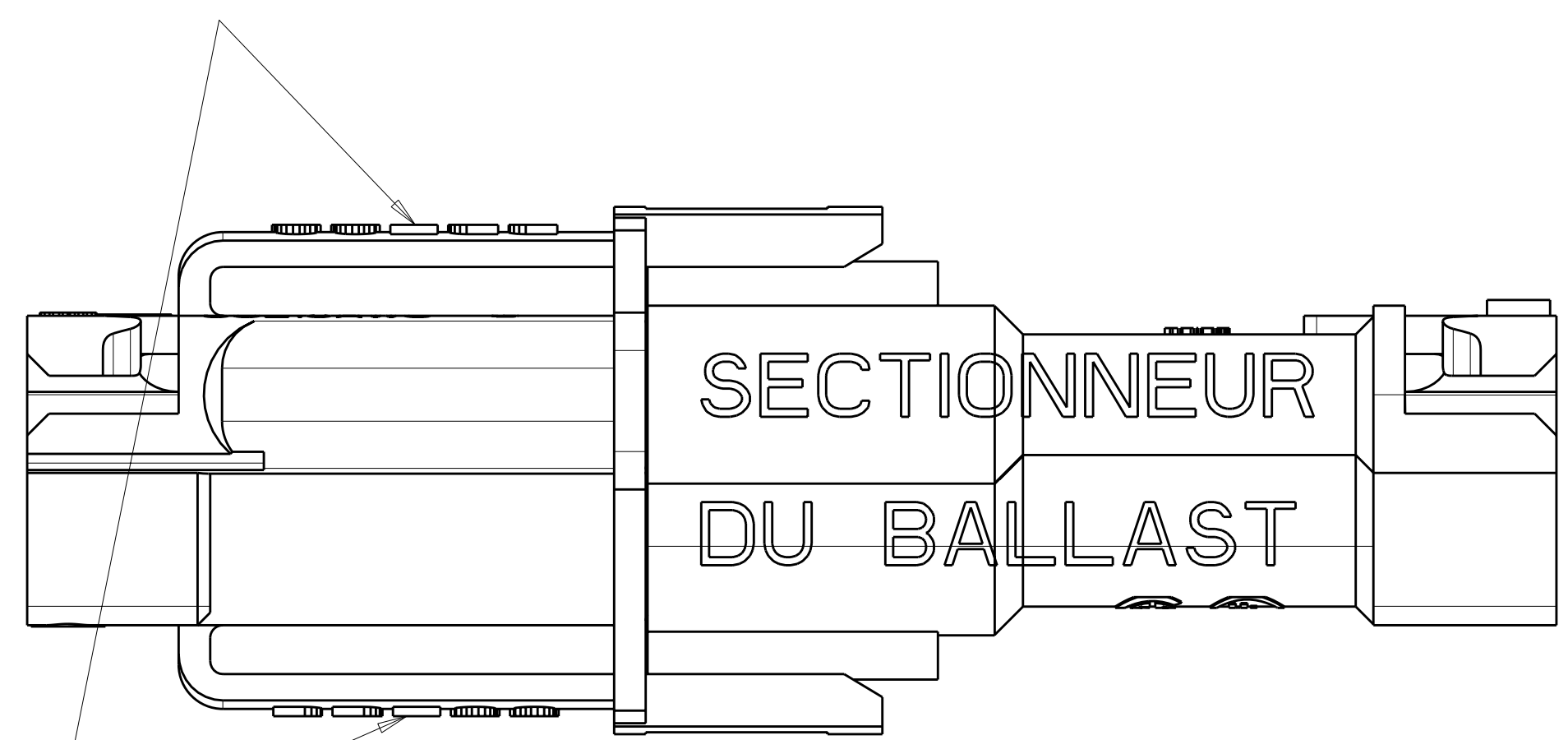
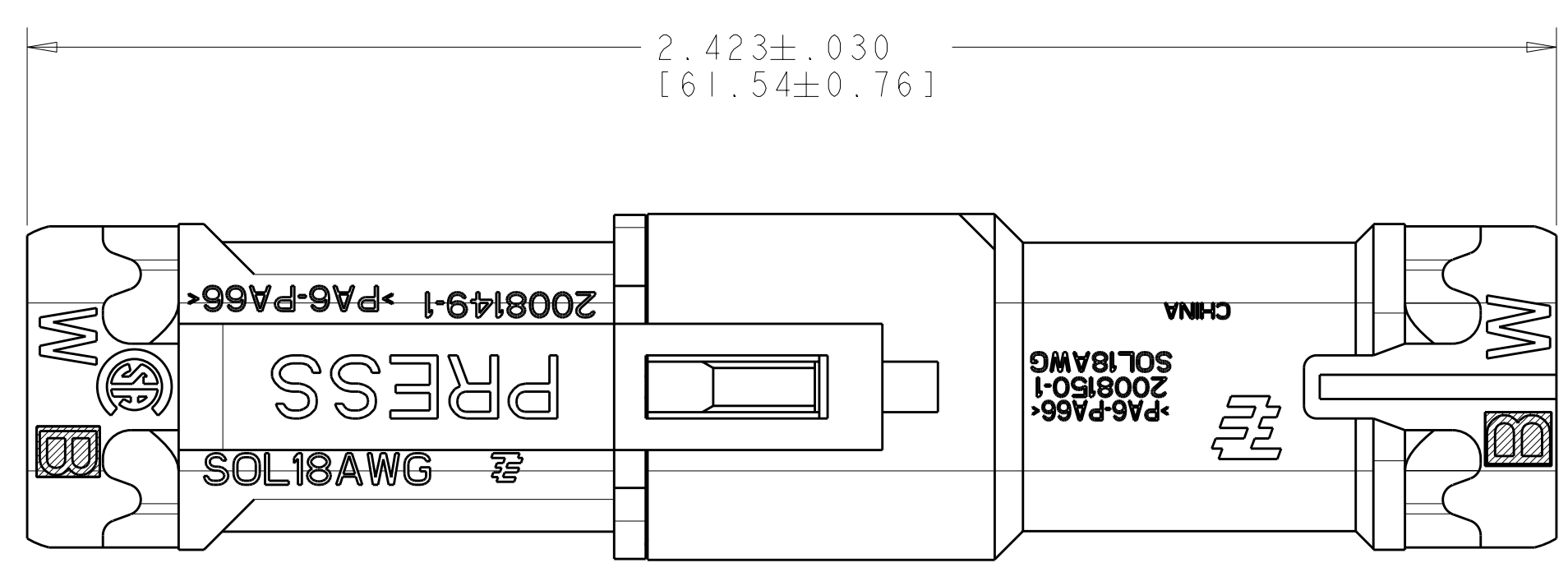
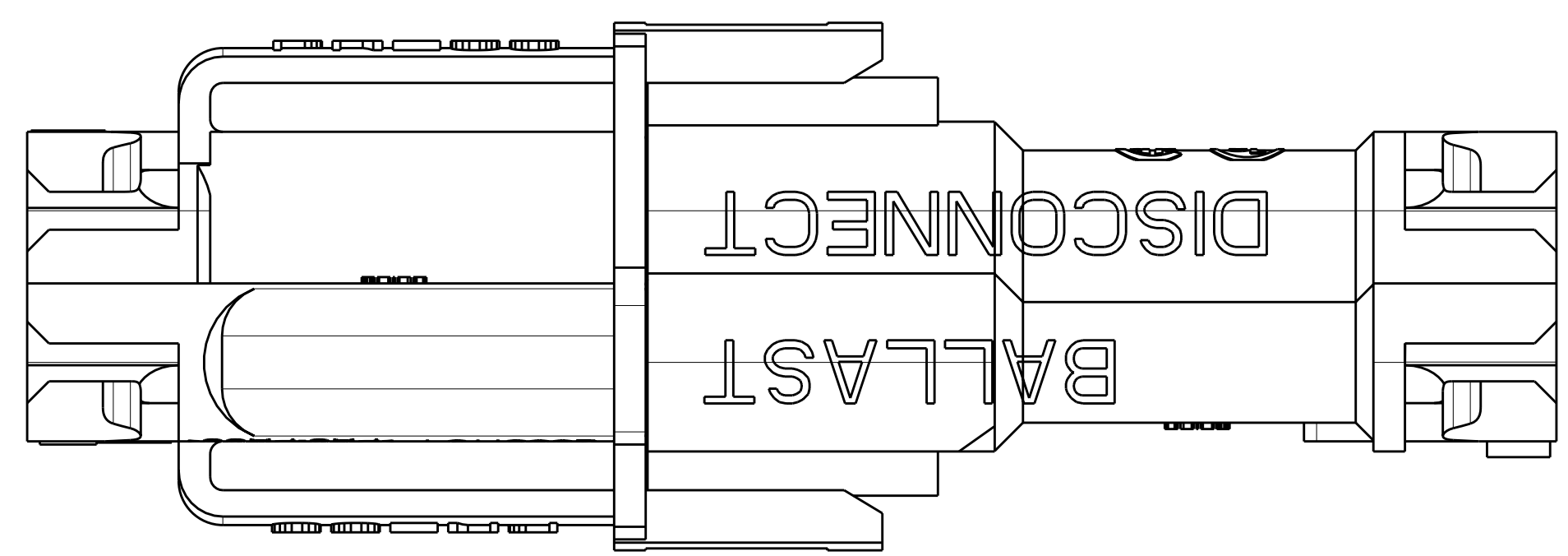
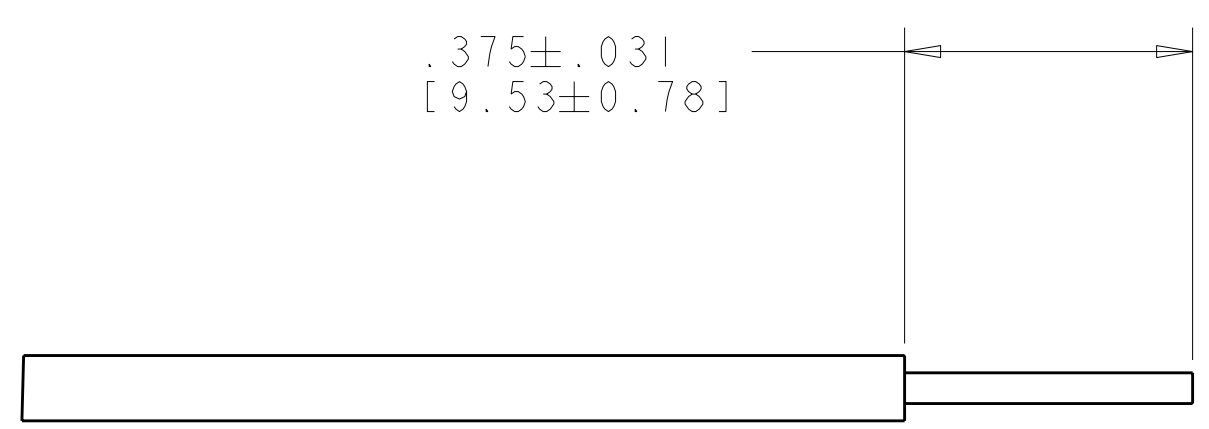


LOC		DIST		REVISIONS			
P	LTB	DESCRIPTION	DATE	DWN	APVD		
B1		REVISED PER ECR-08-023647	24SEP2008	HMR	DD		



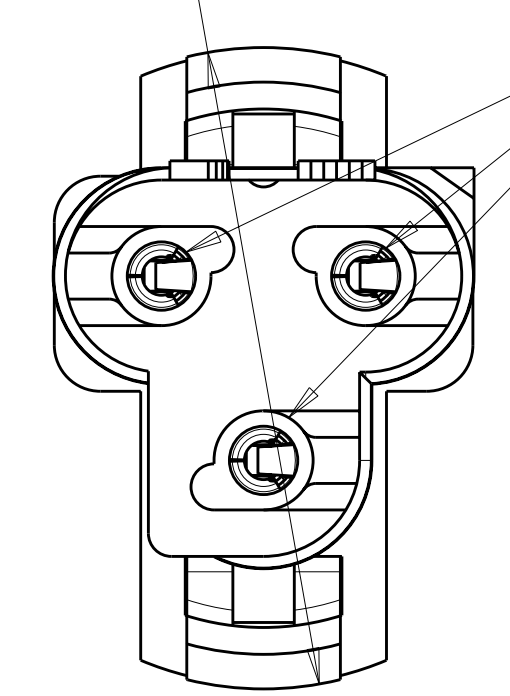
PRESS TO RELEASE



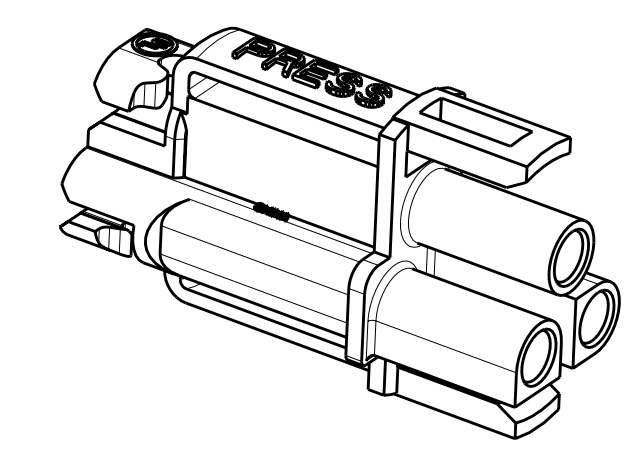
RECOMMENDED WIRE STRIP

- 1 MATERIAL:  
HOUSINGS: POLYAMIDE, COLOR: NATURAL  
CONTACTS: PHOSPHOR BRONZE  
INK: BLACK
- 2 FINISH:  
CONTACTS: TIN PLATED
- 3. SEE INSTRUCTION SHEET 408-10154
- 4. PRE-PRODUCTION - FASR REQUIRED.
- 5 MATERIAL:  
HOUSING: POLYAMIDE, COLOR: ORANGE,  
CONTACT: PHOS BRONZE  
INK: BLACK

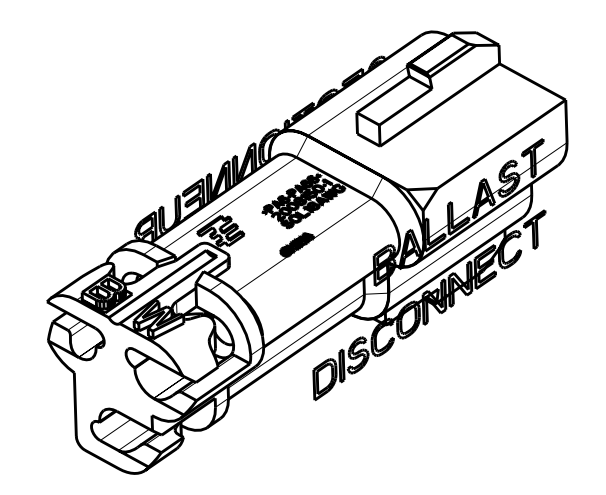
Ø.835±.010  
[21.21±0.25]



ACCEPTS 18 AWG SOLID WIRE  
WITH .086 [2.18] MAX INSULATION DIAMETER  
BOTH CONNECTORS



PLUG CONNECTOR ASSEMBLY



RECEPTACLE CONNECTOR ASSEMBLY

5	2008152-2
1	2008152-1
MATERIAL	PART NUMBER

<small>THIS DRAWING IS UNPUBLISHED. RELEASED FOR PUBLICATION BY TYCO ELECTRONICS CORPORATION. ALL RIGHTS RESERVED.</small>		DWN: C. DAILY 23APR2007 CHK: J. LANDIS 23APR2007 APVD: -	Tyco Electronics Harrisburg, PA 17105-3608
DIMENSIONS: IN	TOLERANCES UNLESS OTHERWISE SPECIFIED: 9 PLC ± 1 PLC ± 5 PLC ± 4 PLC ± ANGLES ± FINISH	PRODUCT SPEC: 108-2275 APPLICATION SPEC: 114-13207 WEIGHT: - CUSTOMER DRAWING	NAME: ASSEMBLY, MATED PAIR, 3 POSITION PLUG AND RECEPTACLE PT, LIGHT-N-LOK SIZE: A   00779   C=2008152 SCALE: 2:1 SHEET 1 OF 1 REV: B1