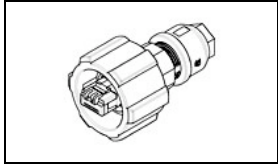


## 2008614-2 Product Details



**2008614-2**

TE Internal Number: 2008614-2



### Circular Sealed RJ-45 Connectors and RJ-45 Field Installable Plugs

 Always EU RoHS/ELV Compliant (Statement of Compliance)

#### Product Highlights:

- Connector
- Product Style = Circular
- Connector Style = Plug
- Shielded
- Wire Size = 0.12-0.2<sup>2</sup> [26-24] mm<sup>2</sup> [AWG]

### Documentation & Additional Information

#### Product Drawings:

- [PLUG KIT, SHIELDED, INDUSTRIAL CIRCULAR ETHERNET CON...](#) (PDF, English)

#### Catalog Pages/Data Sheets:

- [IP67\\_METAL\\_SHELL\\_ODVA\\_IE\\_CONNECTOR](#) (PDF, English)

#### Product Specifications:

- None Available

#### Application Specifications:

- [Industrial Circular Ethernet Panel-Mount Connector S...](#) (PDF, English)

#### Instruction Sheets:

- [Industrial Circular Ethernet Panel-Mount Connector S...](#) (PDF, English)

#### CAD Files: (CAD Format & Compression Information)

- [2D Drawing](#) (DXF, Version A)
- [3D Model](#) (IGES, Version A)
- [3D Model](#) (STEP, Version A)

#### Additional Information:

- [Product Line Information](#)

#### Related Products:

- [Tooling](#)

### Product Features (Please use the Product Drawing for all design activity)

#### Product Type Features:

- Product Type = Connector
- Product Style = Circular
- Wire Size (mm<sup>2</sup> [AWG]) = 0.12-0.2<sup>2</sup> [26-24]
- Grade = Industrial Ethernet
- Wiring Pattern = RJ45
- Coupling Nut Material = Zinc
- Shield Material = Copper Alloy

#### Electrical Characteristics:

- Shielded = Yes

#### Termination Features:

- Interface Type = Open Device-Net Vendors Association (ODVA)

#### Body Features:

- Mount Type = Cable Mount
- O-Ring Material = Silicone Rubber
- Shield Plating = Nickel
- Wire Type = Solid

#### Contact Features:

- Contact Base Material = Phosphor Bronze
- Contact Plating = Gold over Nickel

#### Housing Features:

- Connector Style = Plug
- Housing Material = Zinc

#### Industry Standards:

- [RoHS/ELV Compliance](#) = RoHS compliant, ELV compliant
- [Lead Free Solder Processes](#) = Reflow solder capable to 245°C, Reflow solder capable to 260°C
- RoHS/ELV Compliance History = Always was RoHS compliant

#### Conditions for Usage:

- Applies To = Cable
- For Cable Diameter Range (mm [in]) = 4.50 – 6.90 [0.177 – 0.272]

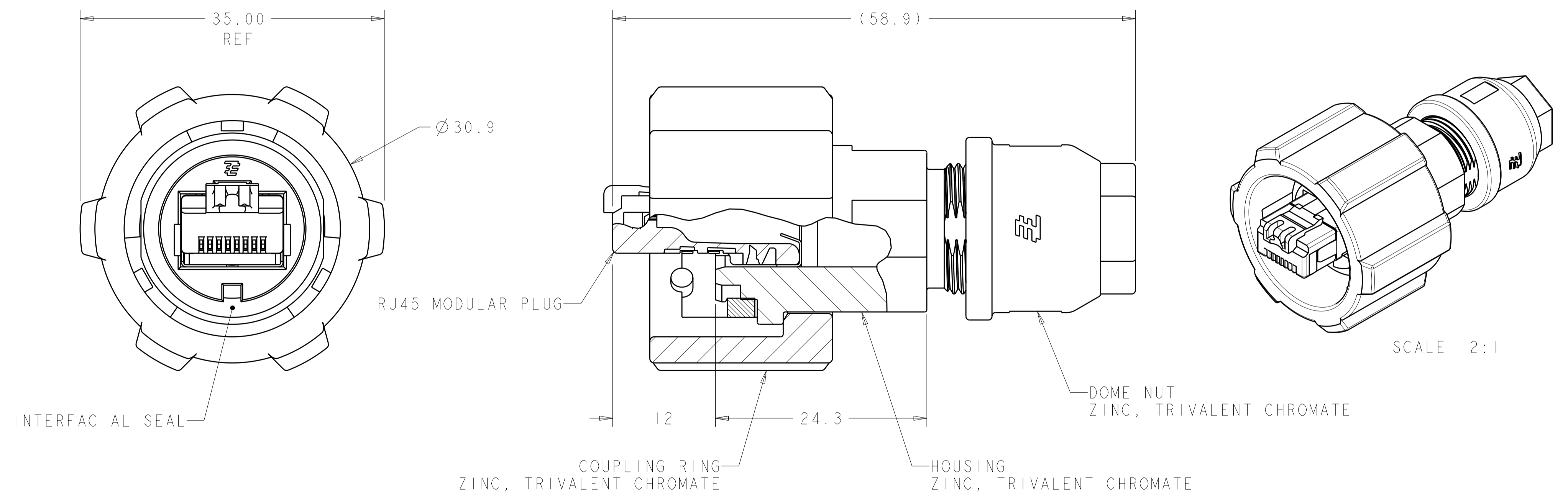
#### Other:

- Comment = For solid wire only.; For use with Cat 5e cable.

THIS DRAWING IS UNPUBLISHED. RELEASED FOR PUBLICATION 20  
 © COPYRIGHT 20 BY TYCO ELECTRONICS CORPORATION. ALL RIGHTS RESERVED.

LOC		DIST		REVISIONS			
P	LTR	DESCRIPTION	DATE	DWN	APVD		
	A2	REVISED PER ECO-11-004109	28FEB2011	HMR	MS		

- 1. CABLE DIAMETER RANGE:  $\varnothing 4.5 - \varnothing 7.9$
- 2. 36.9 IN-LBS TORQUE RECOMMENDED FOR DOME NUT.
- 3. INTERFACIAL SEAL IS SECURED TO HOUSING WITH ADHESIVE.
- 4. MOD PLUG ASSEMBLY CABLE DIAMETER RANGE 4.83 [.190] TO 5.20 [.205].
- 5. MOD PLUG ASSEMBLY CABLE DIAMETER RANGE 6.99 [.275] TO 7.87 [.310].



5	SOLID OR STRANDED	2008614-3
4	SOLID WIRE	2008614-2
	STRANDED WIRE	2008614-1
	WIRE TYPE	PART NUMBER

<small>THIS DRAWING IS A CONTROLLED DOCUMENT FOR TYCO ELECTRONICS CORPORATION          IT IS SUBJECT TO CHANGE AND THE CONTROLLING ENGINEERING ORGANIZATION          SHOULD BE CONTACTED FOR THE LATEST REVISION.</small>		DWN S. WELDON 26MAR2008 CHK C. HERTZLER 26MAR2008 APVD C. HERTZLER 26MAR2008	<b>Tyco Electronics</b> Tyco Electronics Harrisburg, PA 17105-3608
DIMENSIONS: mm 	TOLERANCES UNLESS OTHERWISE SPECIFIED: 0 PLC $\pm 1.0$ 1 PLC $\pm 0.2$ 2 PLC $\pm 0.10$ 3 PLC $\pm 0.000$ 4 PLC $\pm 0.0000$ ANGLES $\pm 1^\circ$ FINISH	PRODUCT SPEC 108-2198 APPLICATION SPEC 114-13136 WEIGHT - CUSTOMER DRAWING	NAME PLUG KIT, SHIELDED, INDUSTRIAL CIRCULAR ETHERNET CONNECTOR SIZE A2 CAGE CODE 00779 DRAWING NO. C-2008614 RESTRICTED TO - SCALE 3:1 SHEET 1 OF 1 REV A2