



**Have a Question?**  
 Chat with a Product  
 Information Specialist

What can we help you find?

[Products](#) | 
 [Industries](#) | 
 [Resources](#) | 
 [About TE](#) | 
 [My Account](#) | 
 [Innovation](#) | 
 [Support Center](#)

## 201089-4 Product Details

[Share](#) | 
 [Print](#) | 
 [Email](#)



**201089-4**

TE Internal Number: 201089-4

Active

[View 3D PDF](#)

### M Series Connectors

Always EU RoHS/ELV Compliant (Statement of Compliance)

#### Product Highlights:

- Product Series = M Series
- Hardware
- Hardware Type = Jackscrew Kit
- Jackscrew Type = Fixed
- Thread Size = 6-32 [M3.5 x 0.6]

[View all Features](#)

### Quick Links

- ▶ [Pricing & Availability](#)
- ▶ [Search for Tooling](#)
- ▶ [Product Feature Selector](#)
- ▶ [Contact Us About This Product](#)

[Add to My Part List](#) | 
 [Request Sample](#) | 
 [Find Similar Products](#) | 
 [Buy Product](#)

### Documentation & Additional Information

#### Product Drawings:

- [JACKSCREW KIT, UNASSEMBLED, FIXED, M SERIES](#) (PDF, English)

#### Catalog Pages/Data Sheets:

- [M\\_SERIES\\_PIN\\_AND\\_SOCKET\\_CONNECTORS](#) (PDF, English)

#### Product Specifications:

- None Available

#### Application Specifications:

- None Available

#### Instruction Sheets:

- None Available

#### CAD Files: [\(CAD Format & Compression Information\)](#)

- [2D Drawing](#) (DXF, Version J)
- [3D Model](#) (IGES, Version J)
- [3D Model](#) (STEP, Version J)

[List all Documents](#)

#### Additional Information:

- [Product Line Information](#)

#### Related Products:

- [Tooling](#)

### Product Features (Please use the Product Drawing for all design activity)

#### Product Type Features:

- Product Series = M Series
- Product Type = Hardware
- Jackscrew Type = Fixed
- Thread Size = 6-32 [M3.5 x 0.6]
- Strain Relief = Without
- Sealed = No

#### Mechanical Attachment:

- Hardware Type = Jackscrew Kit
- Mounting Hardware = Nuts and Lockwashers

#### Dimensions:

- Length (X-Axis) (mm [in]) = 21.26 [0.837]
- Width (Z-Axis) (mm [in]) = 5.72 [0.225]
- Profile Height (Y-Axis) (mm [in]) = 5.72 [0.225]

#### Body Features:

- Thread Lead Type = Single
- Mating Retention = Without
- Jackscrew Material = Stainless Steel

#### Housing Features:

- Mating Alignment = Without

#### Industry Standards:

- [RoHS/ELV Compliance](#) = RoHS compliant, ELV compliant
- [Lead Free Solder Processes](#) = Not relevant for lead free process
- [RoHS/ELV Compliance History](#) = Always was RoHS compliant

#### Conditions for Usage:

- For Use With = 6, 14, 20, 26, 34, 41, 50, 75 and 104 Position Standard Connectors

#### Packaging Features:

- Packaging Method = Bag
- Packaging Quantity = 100

#### Other:

- Brand = AMP
- Comment = Two required.

### Corporate Information

[About TE](#)  
[Investors](#)  
[News Room](#)

### Quick Links

[Distributor Inventory](#)  
[Product Cross Reference](#)  
[Documents & Drawings](#)

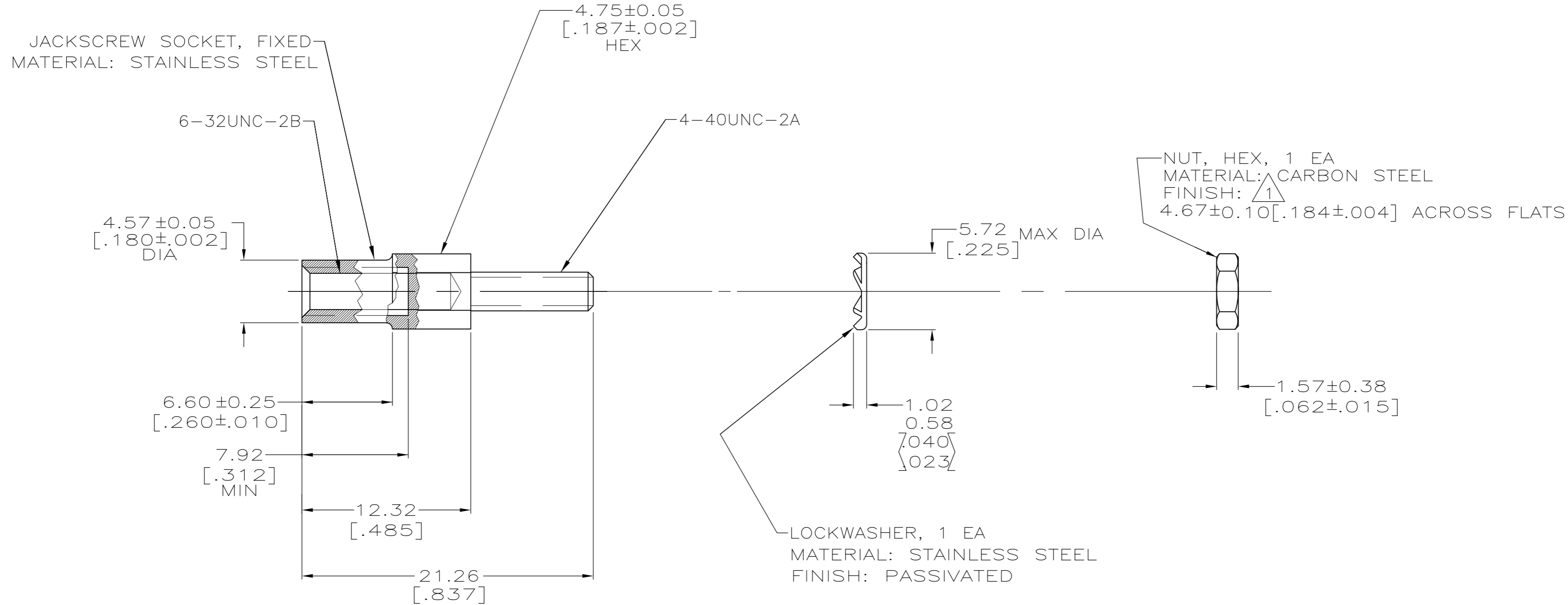
### Customer Support

[Email or Chat With Us](#)  
[Find a Phone Number](#)  
[Knowledge Base](#)

THIS DRAWING IS UNPUBLISHED. RELEASED FOR PUBLICATION  
 © COPYRIGHT BY TYCO ELECTRONICS CORPORATION. ALL INTERNATIONAL RIGHTS RESERVED.

LOC	DIST	REVISIONS			
P	LTR	DESCRIPTION	DATE	DWN	APVD
FT	0	N	REVISED PER ECO-10-021995	12JAN11	HMR/MC

1 ZINC PLATED



	201089-4
SUPERSEDED BY 201089-4	201089-1
	PART NUMBER

THIS DRAWING IS A CONTROLLED DOCUMENT.		DWN D.BROCKWAY 01-18-95	Tyco Electronics Corporation Harrisburg, PA 17105-3608	
DIMENSIONS: mm [INCHES]		CHK R.STONE 01-20-95	NAME JACKSCREW KIT, UNASSEMBLED, FIXED, M SERIES	
TOLERANCES UNLESS OTHERWISE SPECIFIED:		APVD -	PRODUCT SPEC -	RESTRICTED TO -
0 PLC ± -		APPLICATION SPEC -	SIZE A2	CAGE CODE 00779
1 PLC ± -		WEIGHT -	DRAWING NO C=201089	SCALE 4:1
2 PLC ± 0.13 [.005]		CUSTOMER DRAWING	SHEET 1 of 1	REV N
3 PLC ± -				
4 PLC ± -				
ANGLES ± -				
FINISH SEE CALLOUT				
MATERIAL SEE CALLOUT				