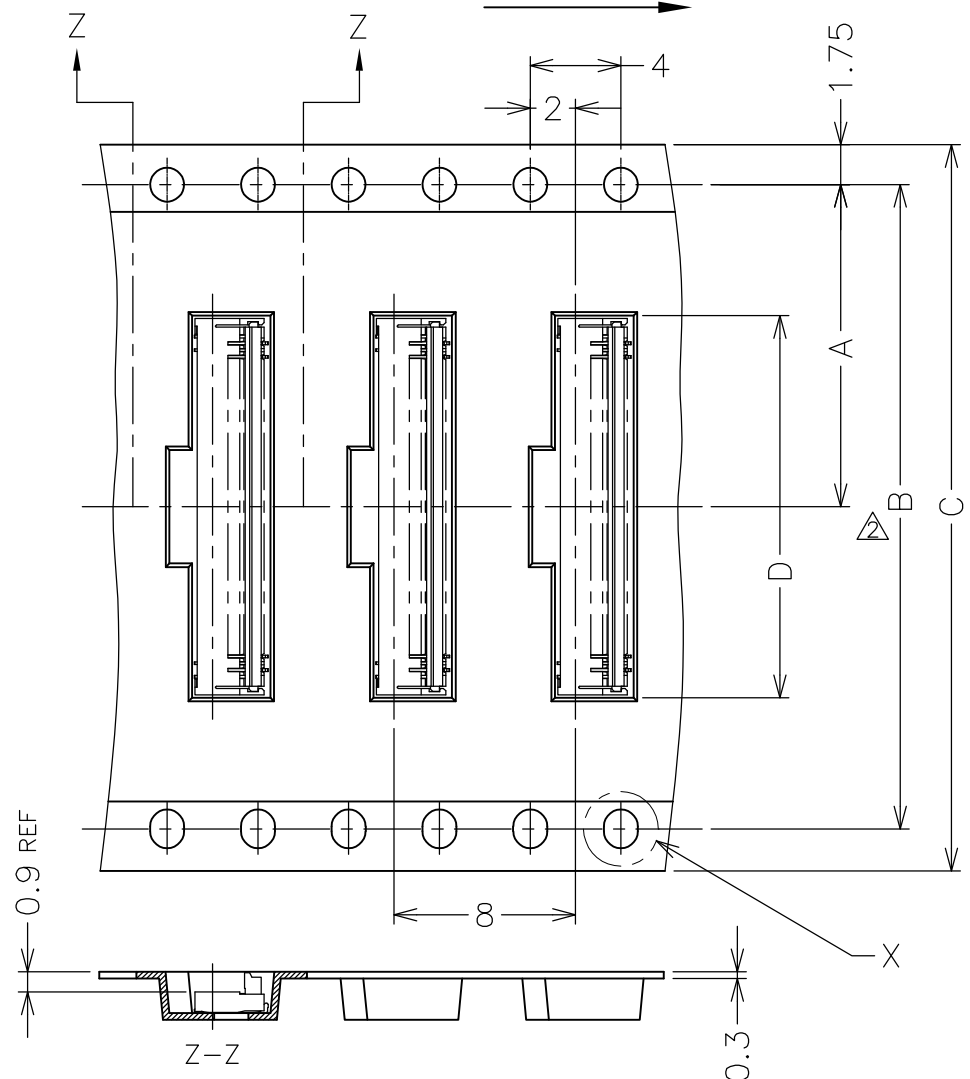


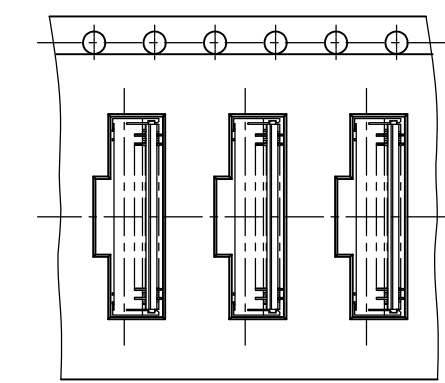
THIS DRAWING IS UNPUBLISHED. RELEASED FOR PUBLICATION  
 © COPYRIGHT BY TYCO ELECTRONICS CORPORATION. ALL RIGHTS RESERVED.

LOC	DIST	REVISIONS					
J	—	P	LTR	DESCRIPTION	DATE	DWN	APVD
		G	REVISED		4NOV2009	Y.K	S.K

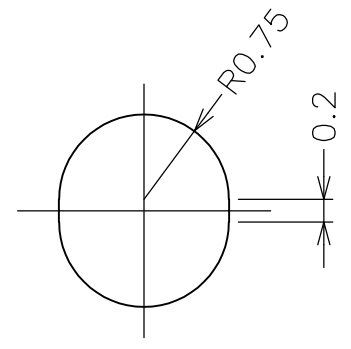
リール引出し方向  
DIRECTION OFF TOP OF REEL



VIEW Y (NTS)  
テープ幅32mm以上に適用  
APPLIED TAPE WIDTH 32MM, MORE.



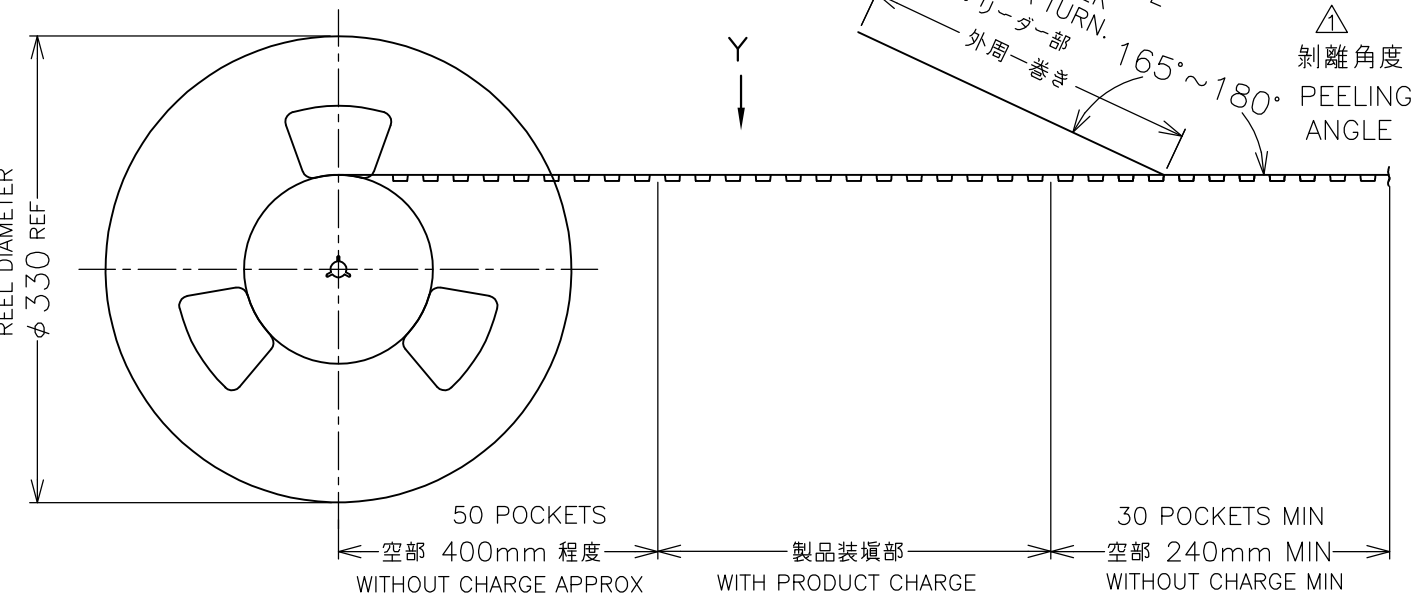
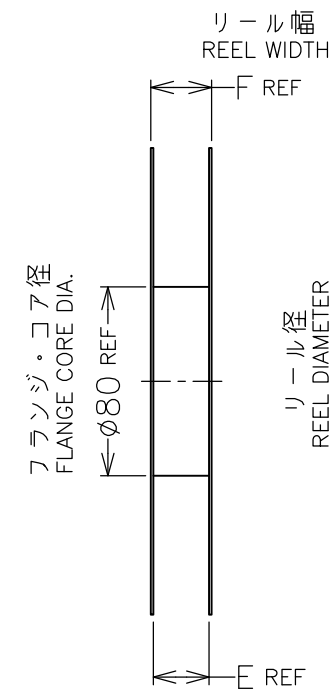
VIEW Y (2/1)  
テープ幅12mm, 16mm, 24mmに適用  
APPLIED TAPE WIDTH 12MM, 16MM AND 24MM.



DETAIL X (NTS)

- △1 GENERAL TOLERANCE  
 10 ≧ : ±0.2  
 30 ≧ > 10 : ±0.25  
 100 ≧ > 30 : ±0.3  
 ANGLES : ±3°
- △2 DIM. B AND DETAIL "X" APPLIED  
 TAPE WIDE, 32mm MORE.

- △1 一般公差  
 10以下 : ± 0.2  
 10を越え 30以下 : ± 0.25  
 30を越え 100以下 : ± 0.3  
 角 度 : ± 3°
- △2 B寸法及び "X" 詳細図は、  
 テープ幅32mm以上に適用



AVAILABLE	CONNECTOR WEIGHT	F	E	D	C	B	A	数量 (ヶ)	POS.(N)	EMBOSS TAPE PACKAGING PART NUMBER
AVAILABLE	0.089g	30.4	24.4	15.0	24	—	11.5	3000	45	1-2013928-8
AVAILABLE	0.085g	30.4	24.4	14.4	24	—	11.5	3000	43	1-2013928-7
AVAILABLE	0.081g	30.4	24.4	13.8	24	—	11.5	3000	41	1-2013928-6
AVAILABLE	0.077g	30.4	24.4	13.2	24	—	11.5	3000	39	1-2013928-5
AVAILABLE	0.074g	30.4	24.4	12.6	24	—	11.5	3000	37	1-2013928-4
AVAILABLE	0.066g	30.4	24.4	11.4	24	—	11.5	3000	33	1-2013928-2
AVAILABLE	0.055g	30.4	24.4	9.6	24	—	11.5	3000	27	2013928-9
AVAILABLE	0.052g	22.4	16.4	9.0	16	—	7.5	3000	25	2013928-8

THIS DRAWING IS A CONTROLLED DOCUMENT.

DWN Y.KODAIRA 24MAR2008  
 CHK T.KUSUHARA 25MAR2008  
 APVD T.KUSUHARA 25MAR2008

**Tyco Electronics** Tyco Electronics Corporation  
Kawasaki, Japan

NAME: 0.3FPC Narrow BF-U  
0.9mmH, 3.8mmW  
GOLD PLATE

PRODUCT SPEC: 108-78574  
 APPLICATION SPEC: 411-78318

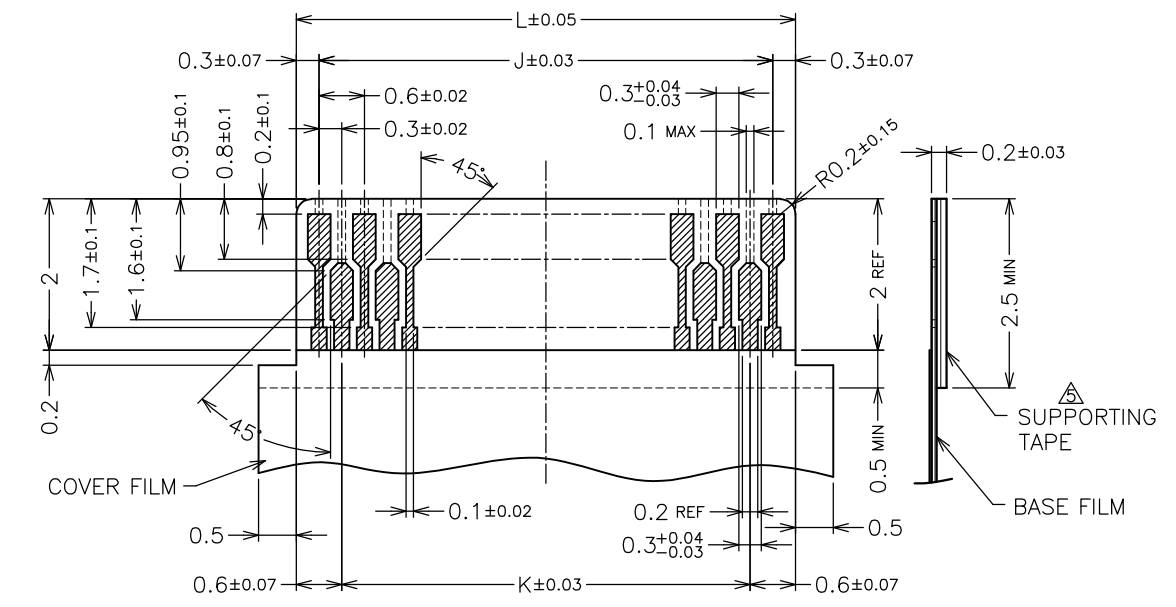
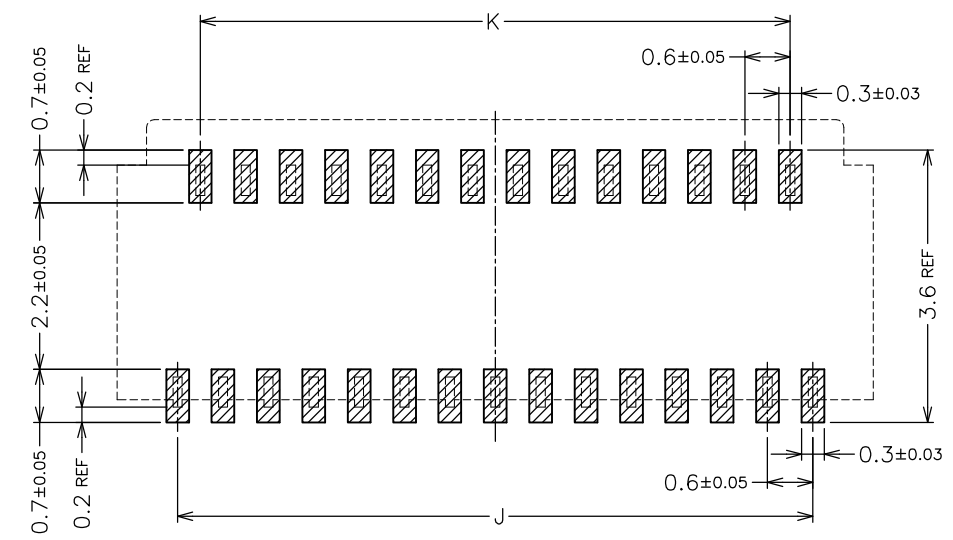
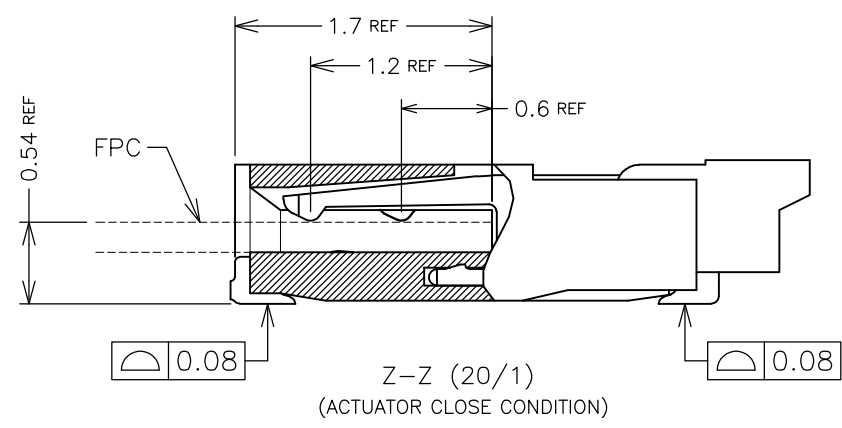
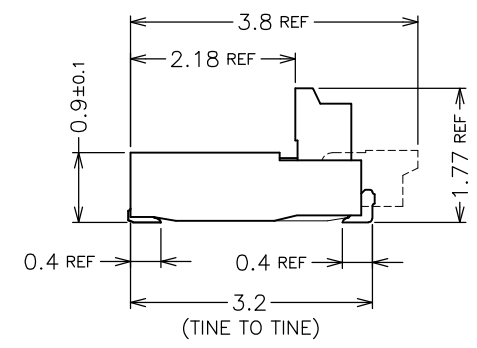
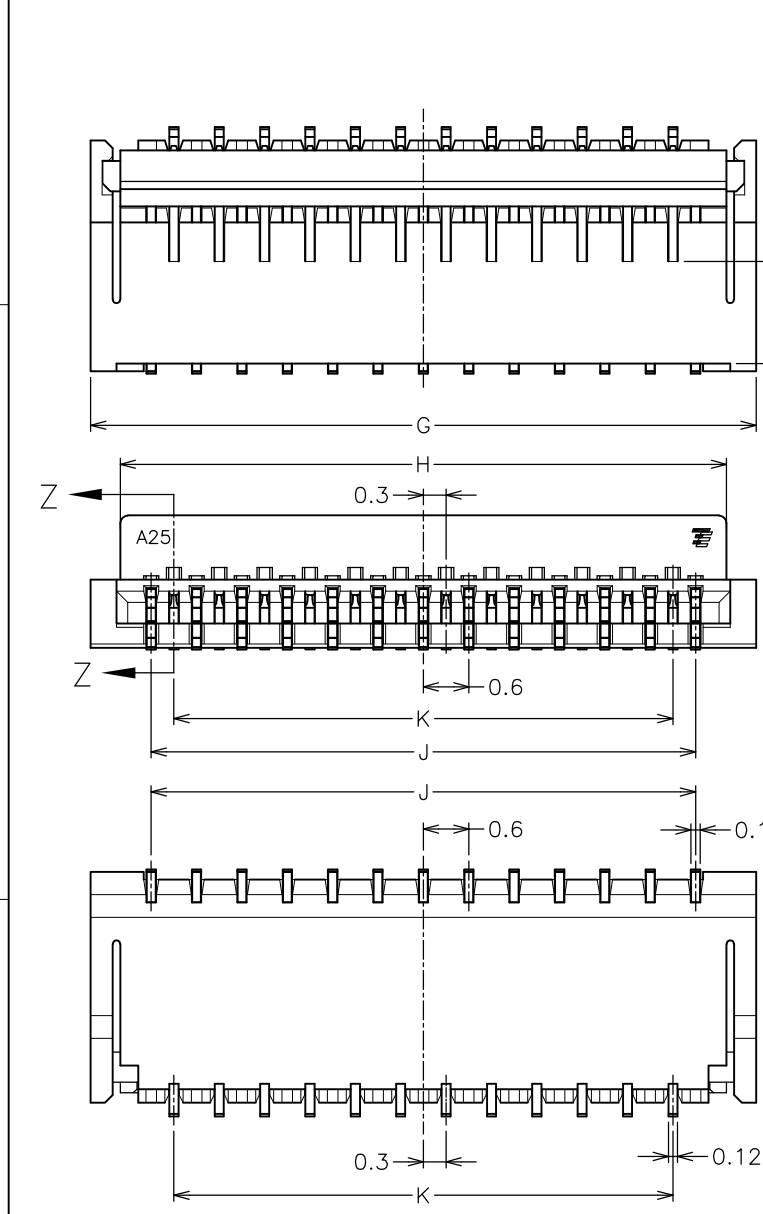
WEIGHT: SEE TABLE

SIZE: A3 CAGE CODE: 00779 DRAWING NO: G-2013928

CUSTOMER DRAWING SCALE: NTS SHEET: 1 OF 2 REV: G

THIS DRAWING IS UNPUBLISHED. RELEASED FOR PUBLICATION  
 © COPYRIGHT BY TYCO ELECTRONICS CORPORATION. ALL RIGHTS RESERVED.

LOC	DIST	REVISIONS					
J	—	P	LTR	DESCRIPTION	DATE	DWN	APVD
		—		SEE SHEET 1	—	—	—



**MATERIAL**  
 HOUSING : THERMO PLASTIC  
 ACTUATOR : THERMO PLASTIC  
 FRONT CONTACT : COPPER ALLOY  
 REAR CONTACT : COPPER ALLOY

**FINISH**  
 FRONT CONTACT : GOLD OVER NICKEL PLATING  
 REAR CONTACT : GOLD OVER NICKEL PLATING

**THE SUPPORTING TAPE OF FPC IS RECOMMENDED TO USE THE POLYIMIDE OR THE EQUIVALENT MATERIAL OF THE THICKNESS OF 50µm OR MORE.**

**材質**  
 ハウジング : 耐熱樹脂  
 アクチュエーター : 耐熱樹脂  
 フロントコンタクト : 銅合金  
 リアコンタクト : 銅合金

**めっき**  
 フロントコンタクト : 金めっき(ニッケル下地めっき)  
 リアコンタクト : 金めっき(ニッケル下地めっき)

**FPCの補強板には、厚さ50µm以上のポリイミドまたは相当材の使用を推奨する。**

13.8	12.6	13.2	14.02	14.8	45	1-2013928-8
13.2	12.0	12.6	13.42	14.2	43	1-2013928-7
12.6	11.4	12.0	12.82	13.6	41	1-2013928-6
12.0	10.8	11.4	12.22	13.0	39	1-2013928-5
11.4	10.2	10.8	11.62	12.4	37	1-2013928-4
10.2	9.0	9.6	10.42	11.2	33	1-2013928-2
8.4	7.2	7.8	8.62	9.4	27	2013928-9
7.8	6.6	7.2	8.02	8.8	25	2013928-8
L	K	J	H	G	POS.	CONN. PART No.

THIS DRAWING IS A CONTROLLED DOCUMENT.

DIMENSIONS: mm	TOLERANCES UNLESS OTHERWISE SPECIFIED: 0 PLC ± 0.3 1 PLC ± 0.3 2 PLC ± 0.3 3 PLC ± 0.3 4 PLC ± 0.3 ANGLES ± 3°	DWN	Tyco Electronics Corporation Kawasaki, Japan
	MATERIAL	CHK	
	FINISH	APVD	
		NAME	
		PRODUCT SPEC	0.3FPC Narrow BF-U 0.9mmH, 3.8mmW GOLD PLATE
		APPLICATION SPEC	SIZE CAGE CODE DRAWING NO RESTRICTED TO
		WEIGHT	A3 00779 G-2013928
		CUSTOMER DRAWING	SCALE 10:1 SHEET 2 OF 2 REV G