

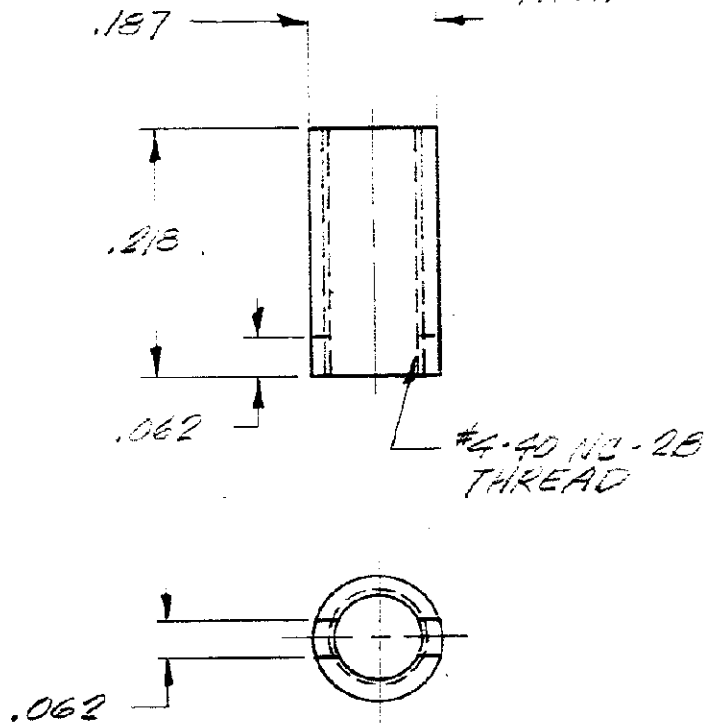
DRAWING MADE IN THIRD ANGLE PROJECTION

LOC *R* DIST *39*

© COPYRIGHT 1978 BY AMP INCORPORATED, HARRISBURG, PA. ALL INTERNATIONAL RIGHTS RESERVED. AMP INCORPORATED PRODUCTS COVERED BY U. S. AND FOREIGN PATENTS AND /OR PATENTS PENDING.

REVISIONS				
LTR	DESCRIPTION	DATE	APPROVED	P F
<i>0</i>	<i>RELEASED</i>	<i>8/30/78</i>	<i>[Signature]</i>	<i>1</i>

*-2 1. 455-1111
2. YELLOW CHROMATE OVER CAD. PLATE PER QQ-P-416 .0001/.0004 THK.*



PART NO

UNLESS OTHERWISE SPECIFIED DIMENSIONS ARE IN INCHES. TOLERANCES ON: DECIMALS $\pm .005$ ANGLES $\pm \text{---}$	CONTRACT NO
	DR <i>F. Lippman 3/30/78</i>
MATERIAL <i>BRASS PER QQ-B-626</i>	CHK <i>Richard Hunt III 4/11/78</i>
	APPD <i>Schubler 3/5/78</i>
FINISH <i>SEE DASH NO.</i>	APPD <i>J. Wise 7/5/78</i>
	DSGN APPD
	OTHER APPD



NAME <i>POLARIZING POST UNIT</i>		
SIZE <i>A</i>	CODE IDENT NO <i>00779</i>	DRAWING NO <i>202356</i>
SCALE <i>1:1</i>	SHEET <i>1</i>	

SOLETE
NO in the LATEST
REVISION
CUSTOMER DRAWING