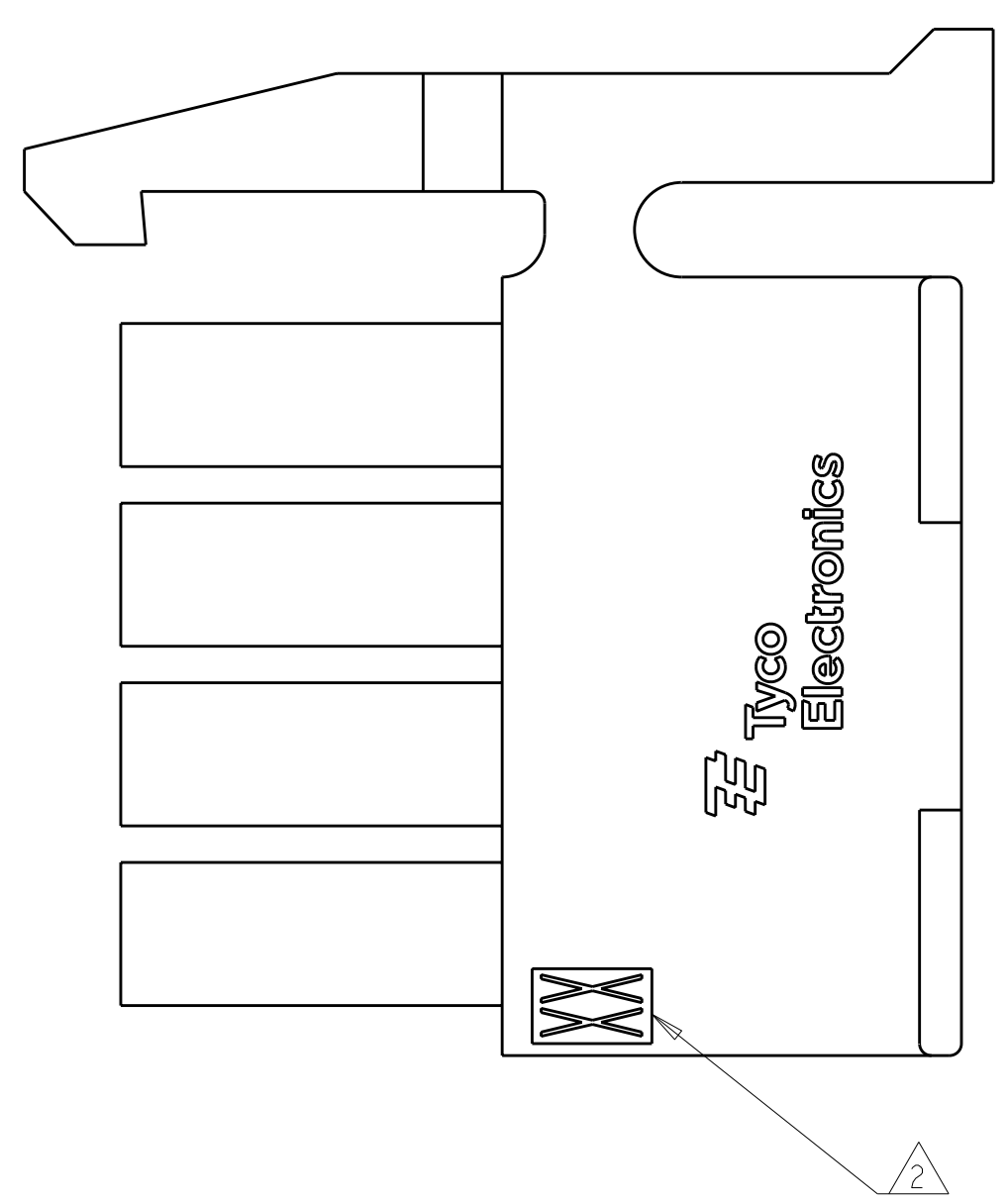
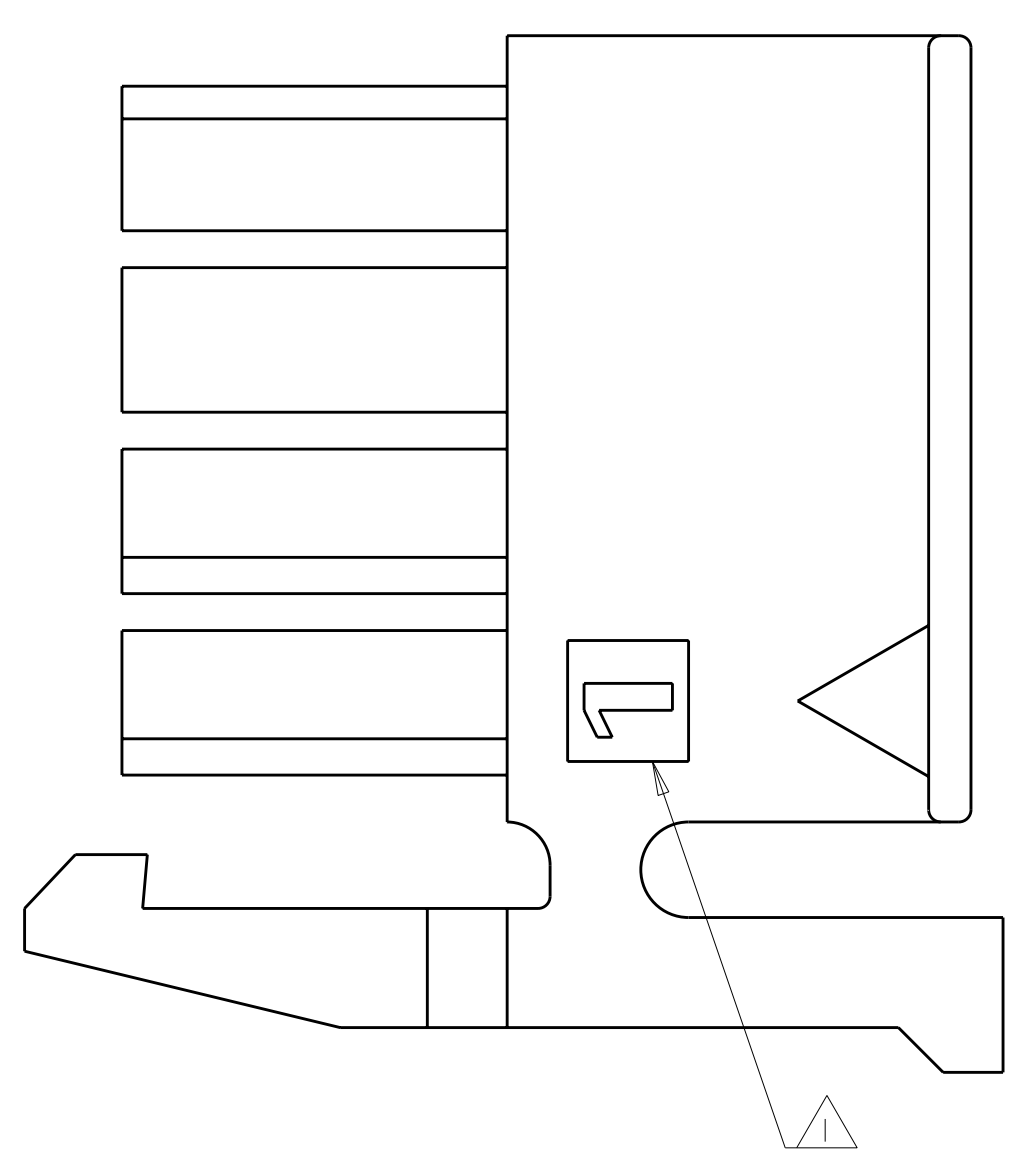
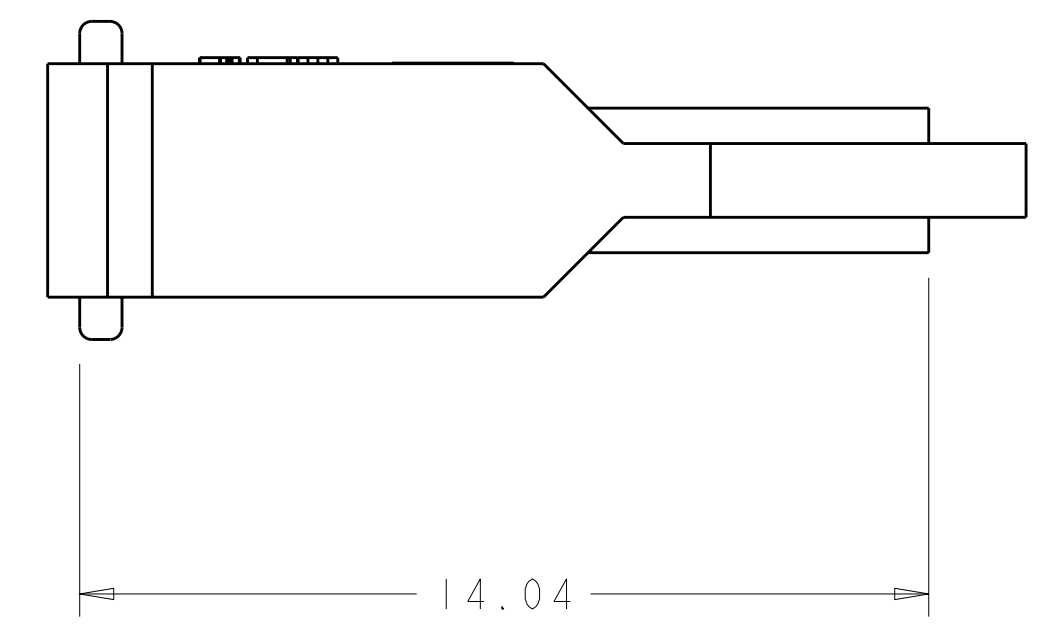
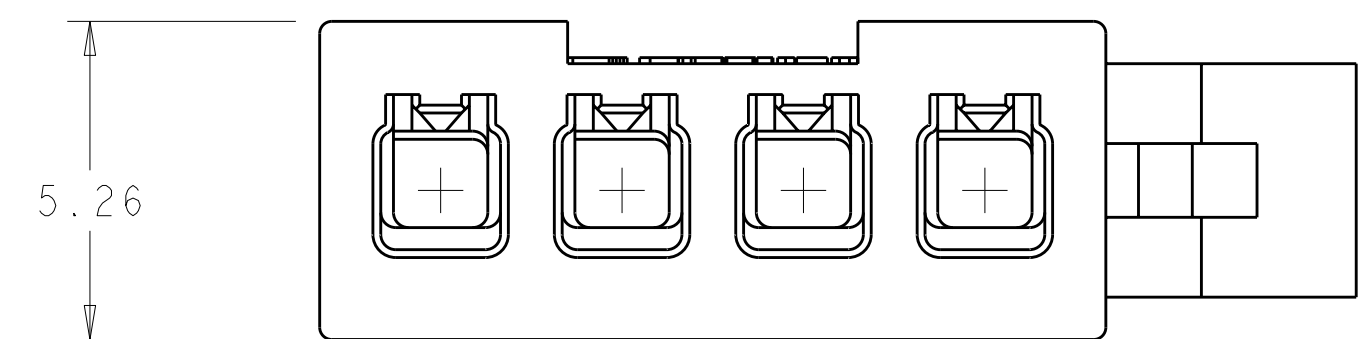
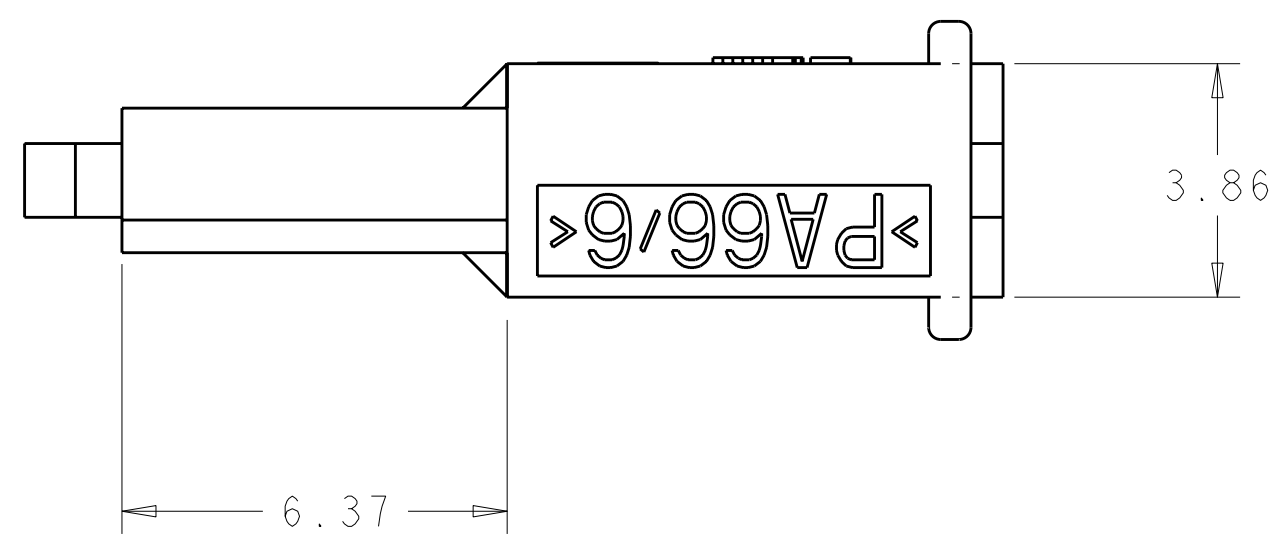
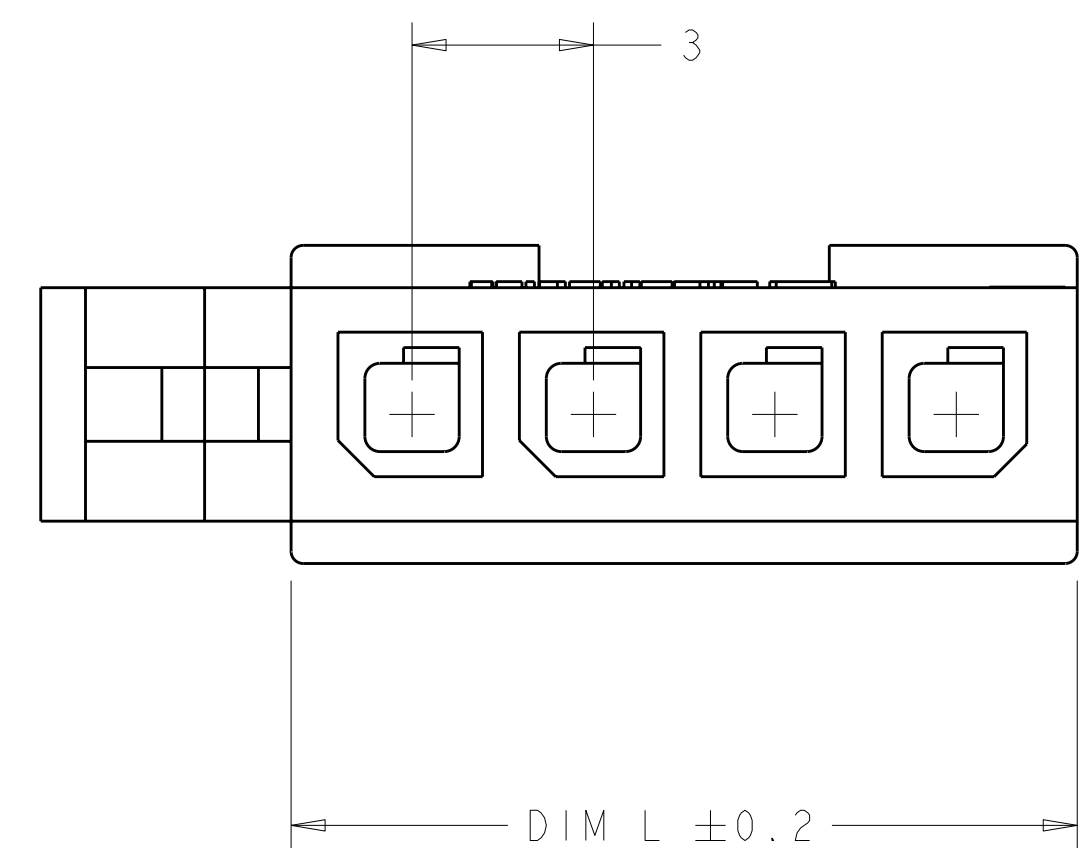


LOC	DIST	REV	DATE	BY	CHK	APPV
CM	00	A2	01MAY2011	RK	HMR	



① CIRCUIT 1 IDENTIFIER, LOCATED APPROXIMATELY AS SHOWN.
 ② LAST CIRCUIT IDENTIFIER, LOCATED APPROXIMATELY AS SHOWN.



VOLUME mm ³	DIM L	NO OF POS.	PART NO.
434.05	13	4	2029047-4
353.32	10	3	2029047-3
272.6	7	2	2029047-2



THIS DRAWING IS A CONTROLLED DOCUMENT.

DW	R. WHITAKER	03JAN2008
CHK	C. JONES	03JAN2008
APPV	C. JONES	03JAN2008

STE TE Connectivity

NAME: RECEPTACLE HOUSING, SPECIAL, SINGLE ROW, MICRO MATE-L-LOK(TM)

SIZE: A1 CAGE CODE: 100779 DRAWING NO: 2029047

SCALE: 8:1 SHEET 1 OF 1 REV A2