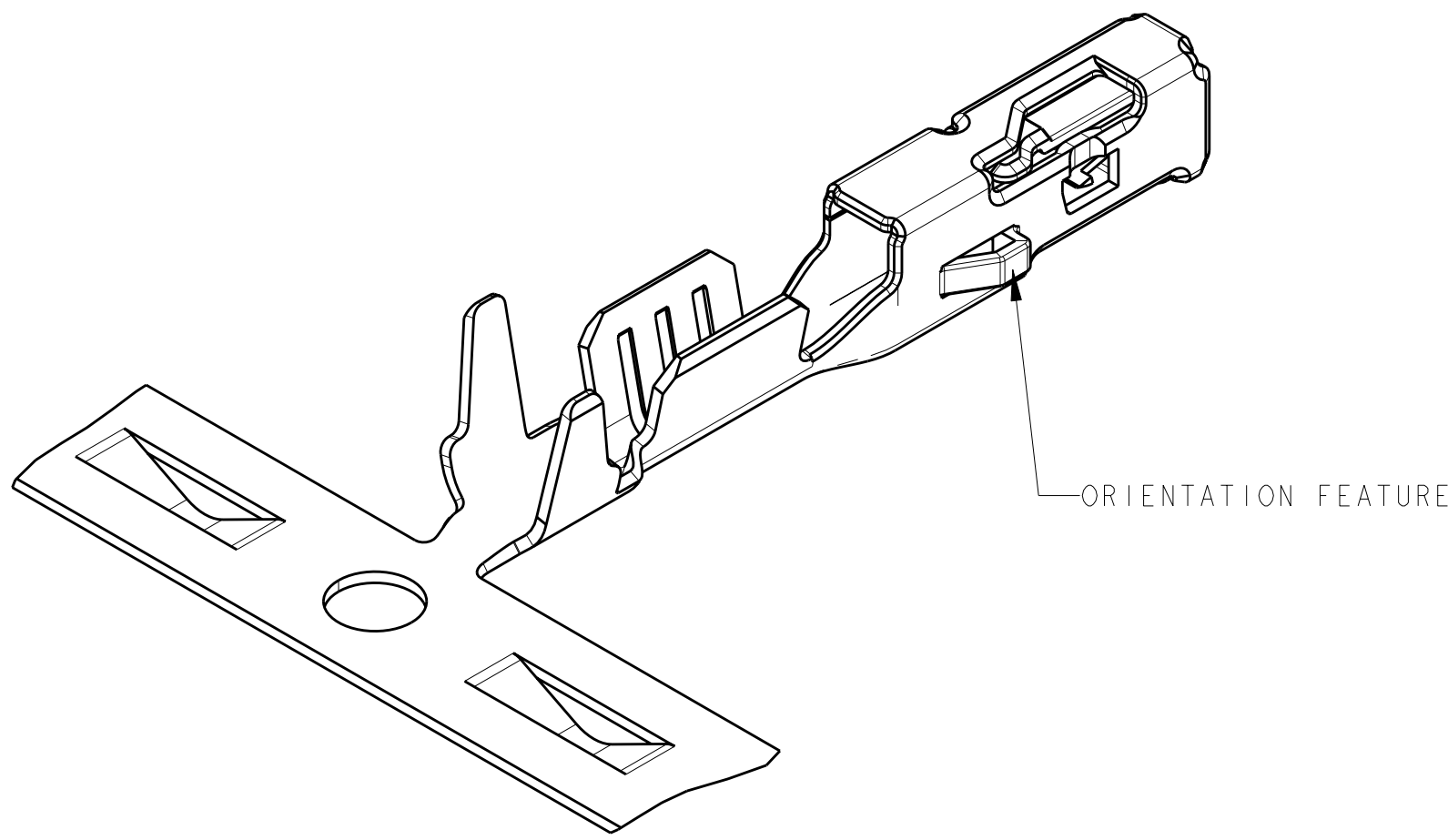
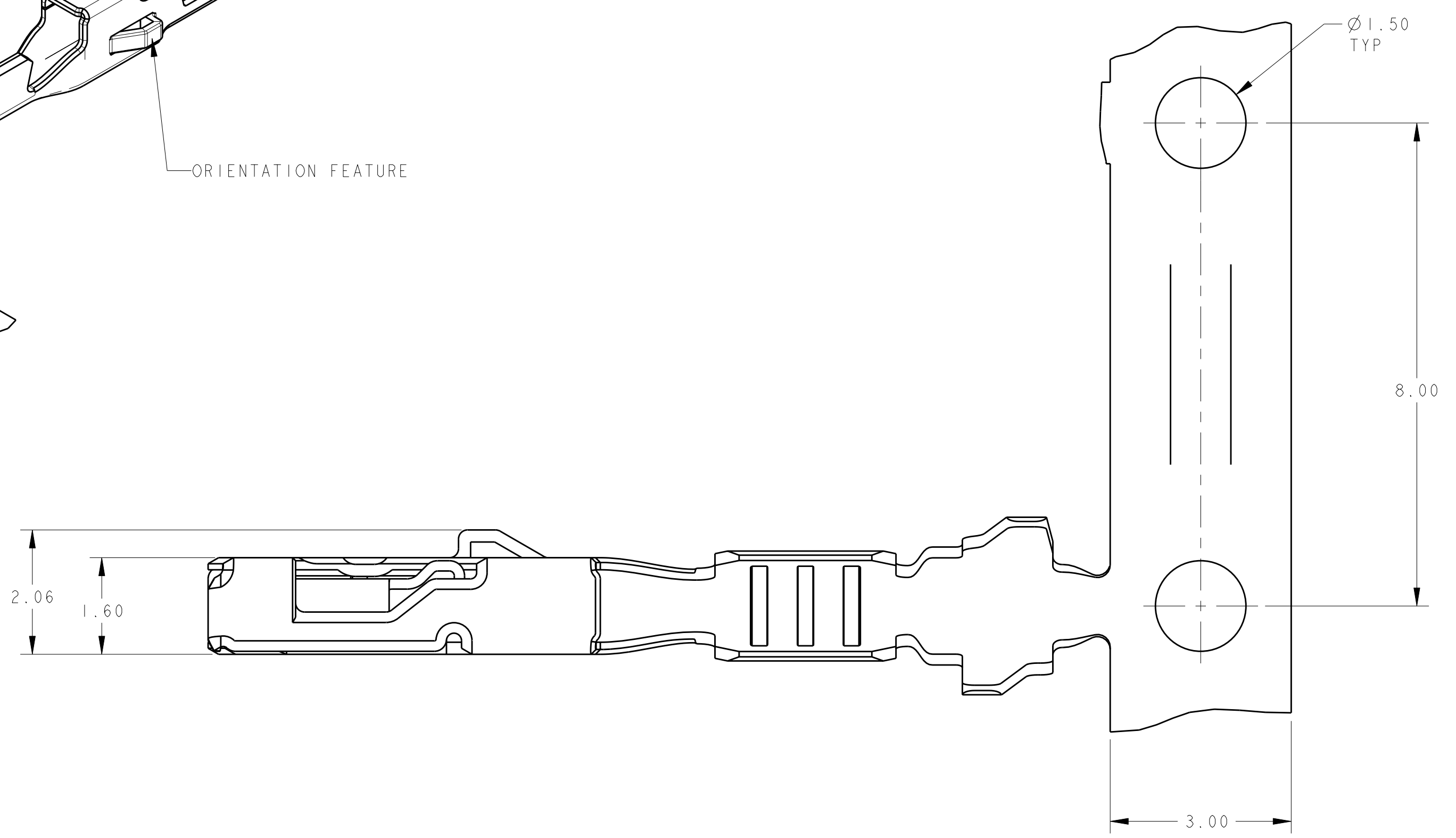


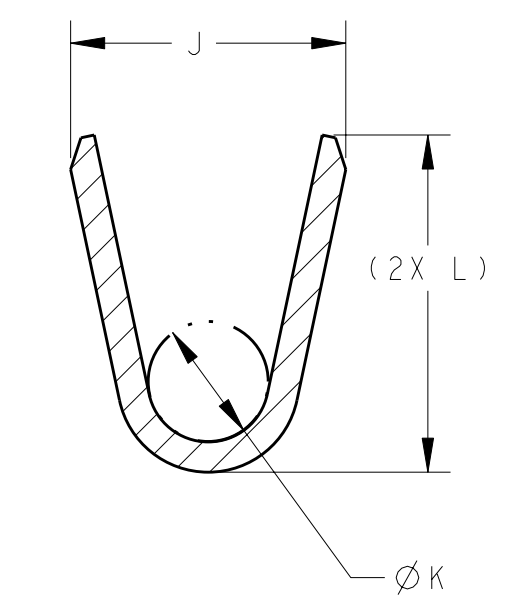
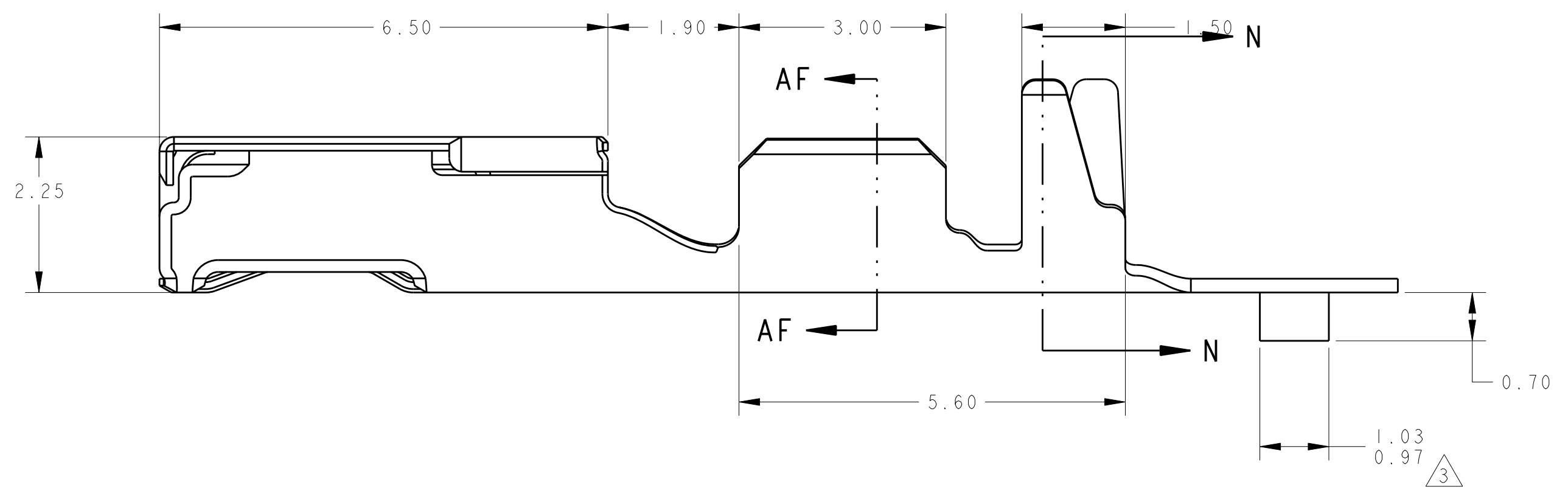
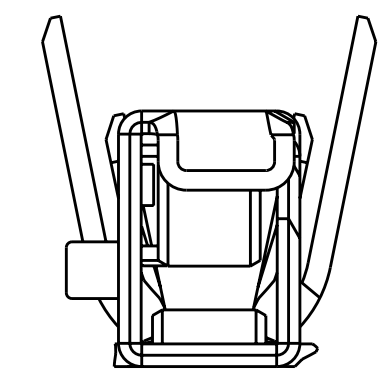
LOC	DIST	REVISIONS			
P	LTG	DESCRIPTION	DATE	DWN	APVD
A		RELEASED PER ECO-09-019720	27AUG2009	FK	CS
A1		REVISED PER ECO-09-022797	15OCT2009	DLD	CJS
A2		REVISED PER ECO-10-025594	15DEC2010	DLD	CJS



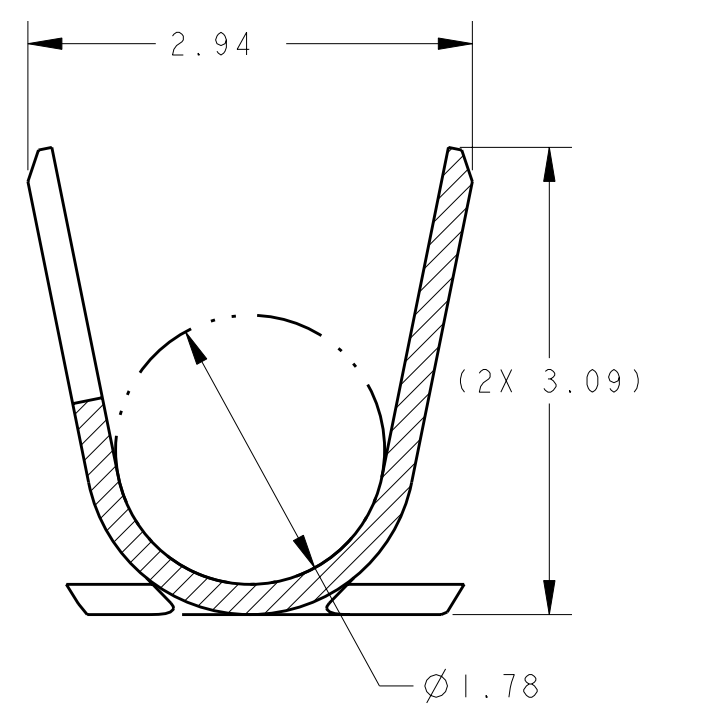
ISOMETRIC VIEW
SCALE 10:1



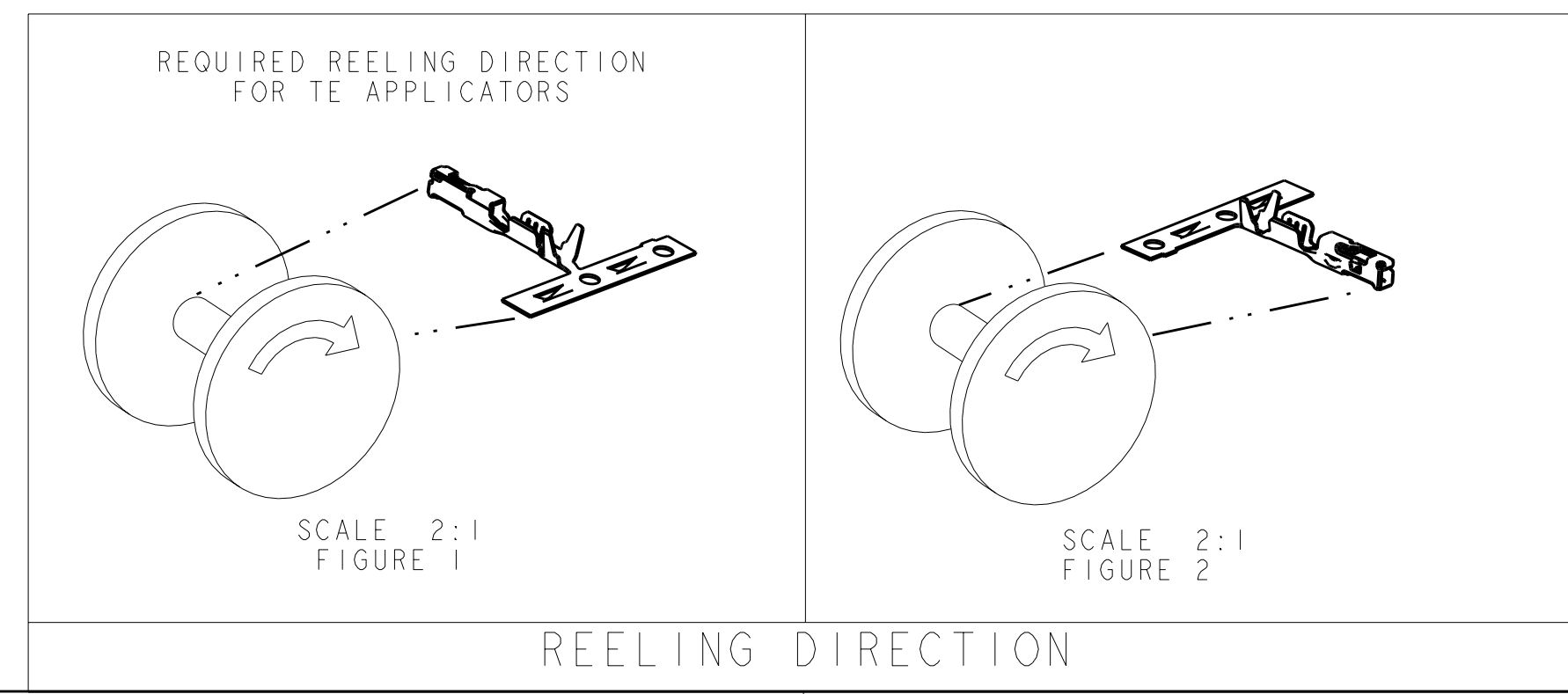
- 1 MATERIAL: 0.2mm THICK CuNiSi ALLOY
- 2 FINISH: PRE-PLATED WITH 1.00µm MIN BRIGHT TIN
- 3 MATERIAL ID FEATURE IN "DOWN" POSITION
- 4. THIS PRODUCT TO BE VALIDATED TO GMW3191, TEMP CLASS T3 AND VIBRATION CLASS VI
- 5. THIS PRODUCT IS DESIGNED TO BE COMPATIBLE WITH SEALED APPLICATIONS
- 6. NOTE DELETED
- 7. NORMAL FORCE 240 GRAMS REFERENCE.
- 8. BULGE PERMISSIBLE UNDER ORIENTATION FEATURE.



SECTION AF-AF
SCALE 20:1



SECTION N-N
SCALE 20:1



INSULATION DIAMETER	L	K	J	REELING DIRECTION	FINISH	mm ²	AWG	PART NUMBER
2.06 MAX	2.43	1.00	1.96	FIGURE 2	2	0.75	18	2035170-6
1.50-1.85	2.23	0.80	1.82	FIGURE 2	2	0.35-0.50	20-22	2035170-5
2.06 MAX	2.43	1.00	1.96	FIGURE 1	2	0.75	18	2035170-2
1.50-1.85	2.23	0.80	1.82	FIGURE 1	2	0.35-0.50	20-22	2035170-1

DIMENSIONS: mm TOLERANCES UNLESS OTHERWISE SPECIFIED: 9 PLC ± 1 PLC ±0.15 5 PLC ± 4 PLC ± ANGLES ± FINISH:		DWN: MOLL 12MAR2008 CHK: F. KINSEY 12MAR2008 APVD: C. SCHMID 27AUG2009	Tyco Electronics Harrisburg, PA 17105-3608
MATERIAL: \triangle		WEIGHT: 0.23 G CUSTOMER DRAWING	CONTACT, FEMALE, 0.64mm, CuNiSi, SIDE ORIENTATION, Sn PLATE SIZE: CAGE CODE DRAWING NO. RESTRICTED TO 114-13183 A100779C=2035170 SCALE 15:1 SHEET 1 OF 1 REV A2