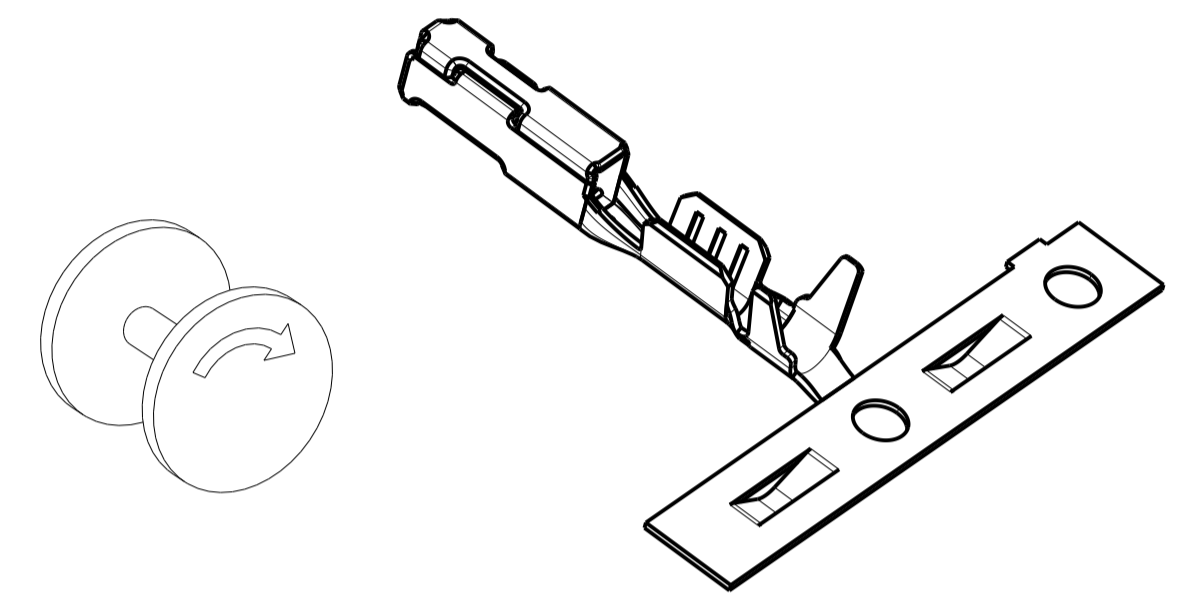
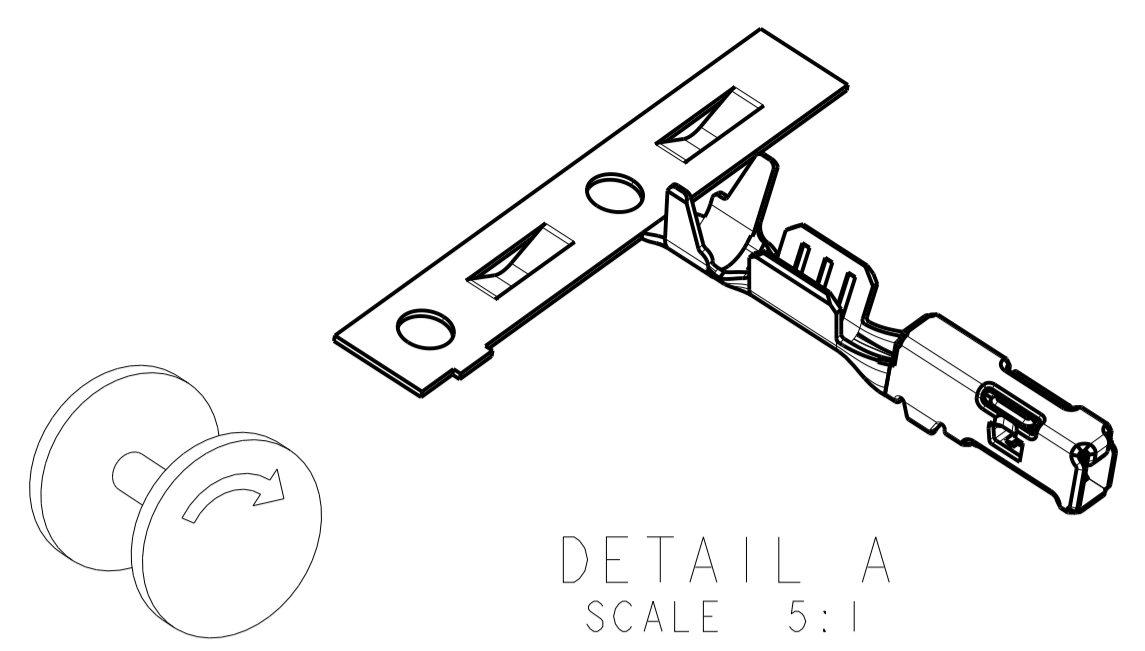
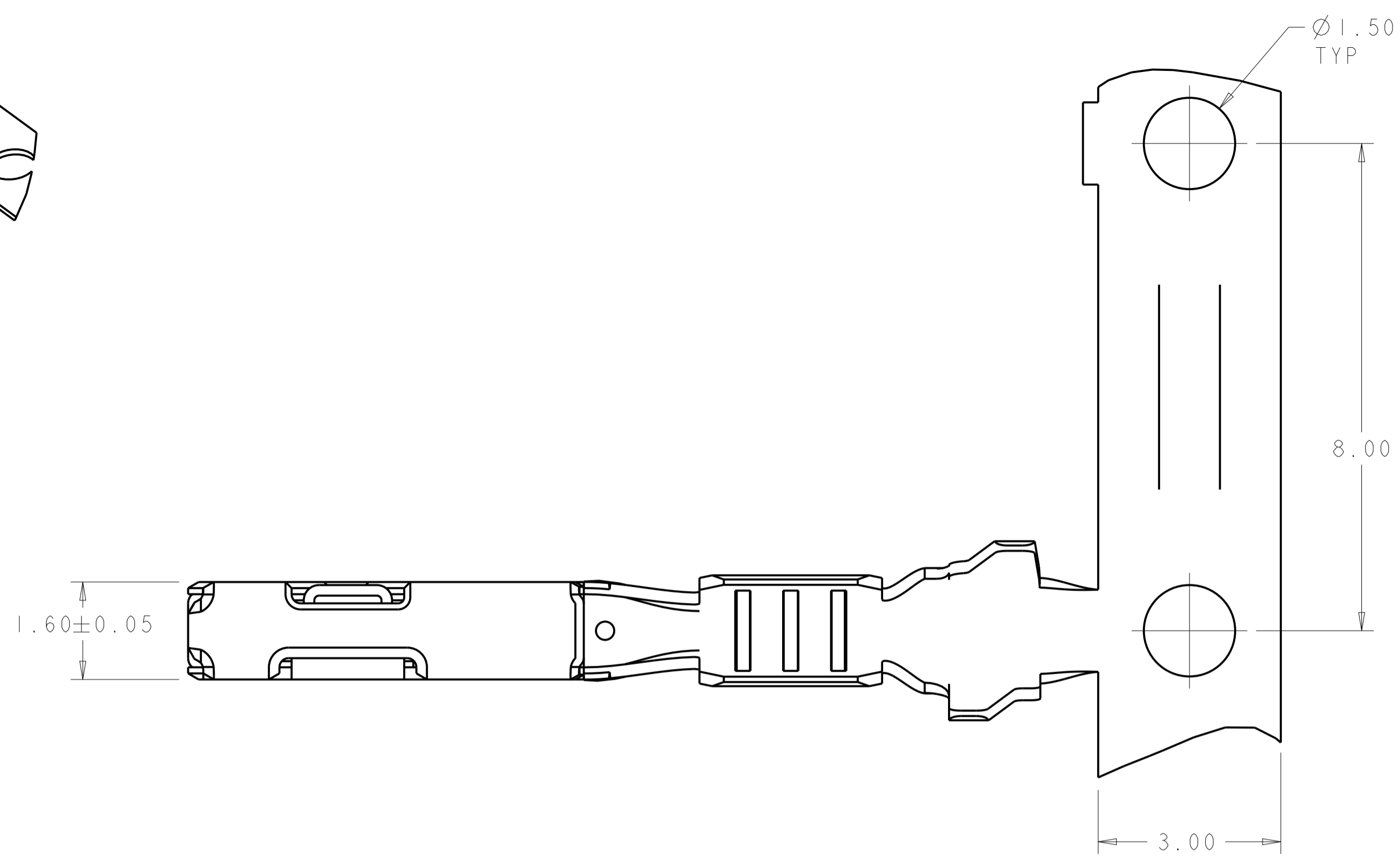
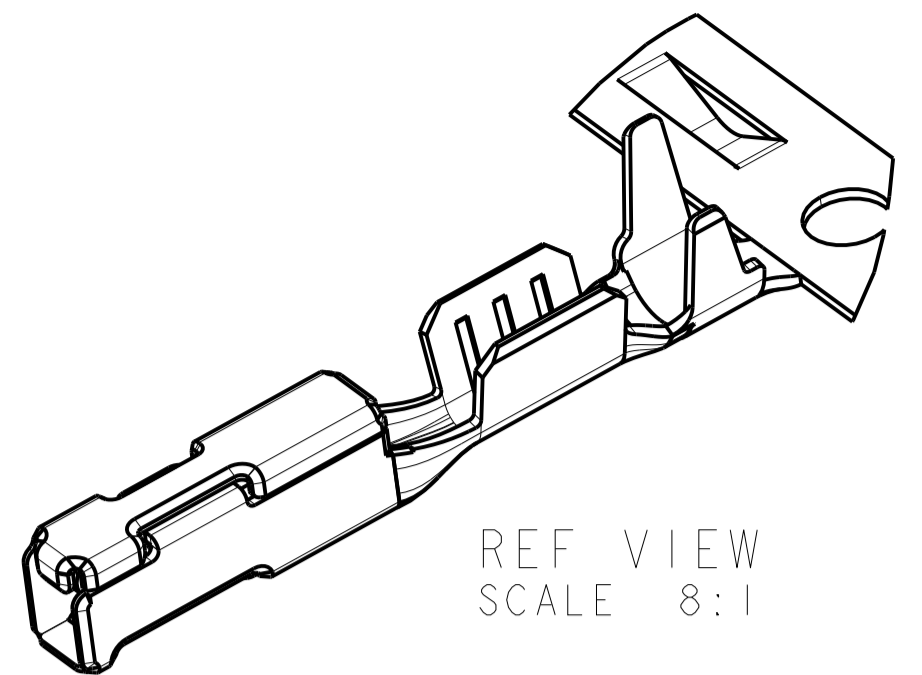
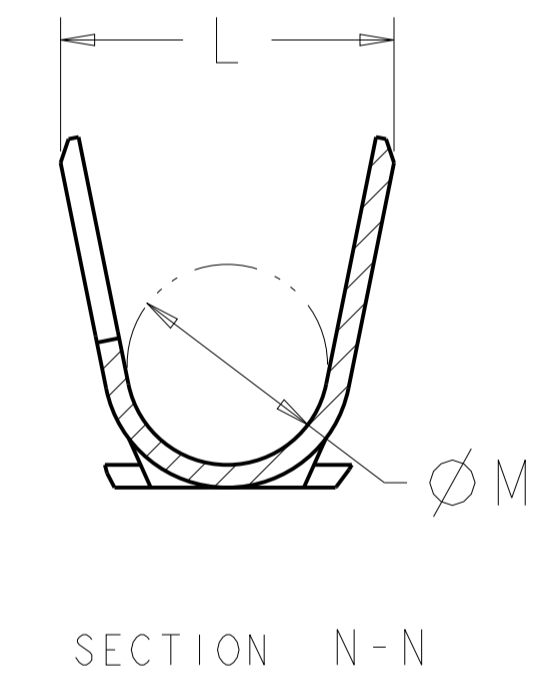
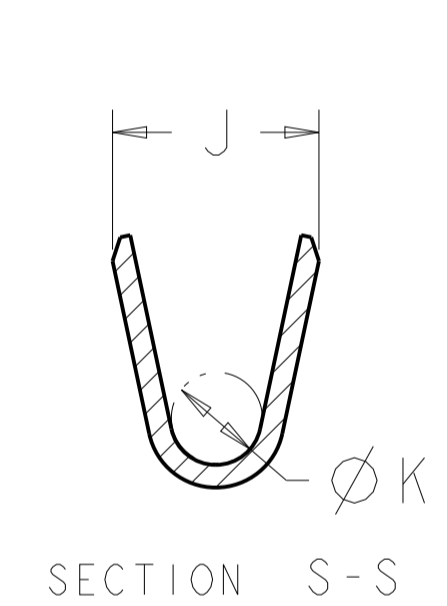
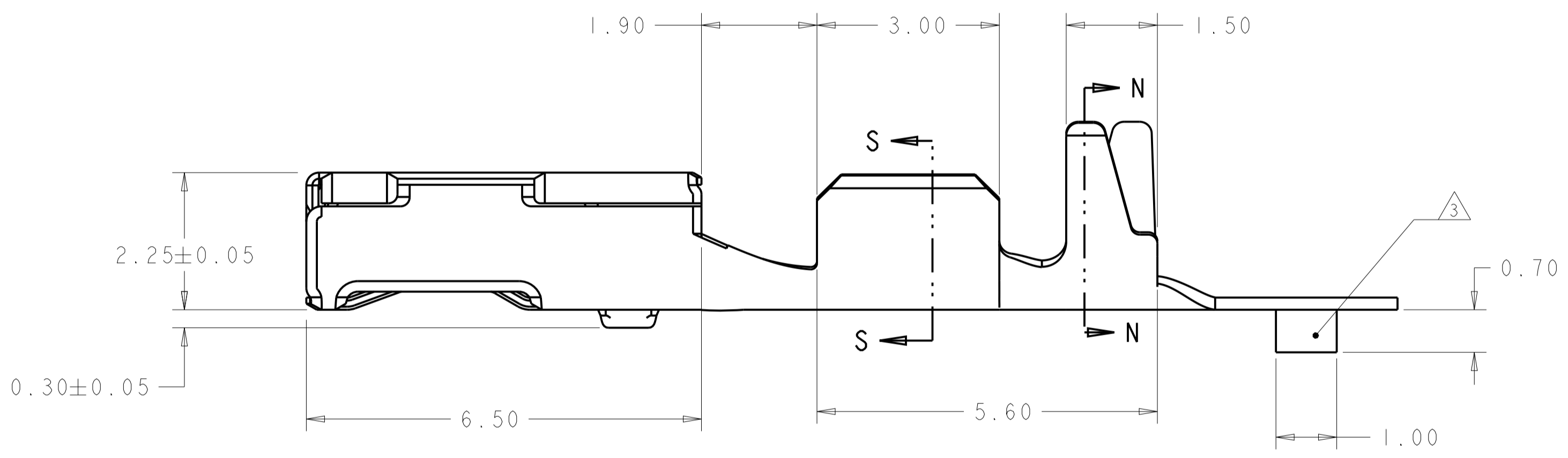
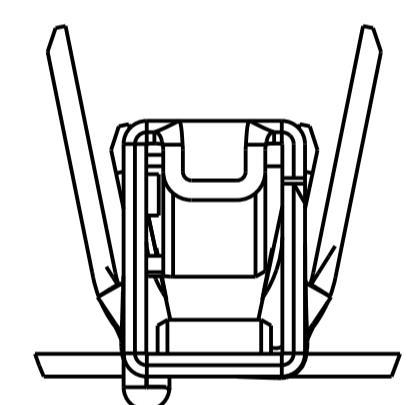


REVISIONS					
P.	LTN	DESCRIPTION	DATE	DWN	APVD
B2		REVISED PER ECO-13-009741	11JUN2013	DLD	CJS
B3		REVISED PER ECO-14-003008	28FEB2014	DLD	CJS



- △ MATERIAL: COPPER ALLOY.
- △ FINISH: PRE-PLATED WITH 1.00µm MIN BRIGHT TIN.
- △ MATERIAL ID FEATURE IN "DOWN" POSITION.
- 4. THE INTENDED TEMPERATURE RANGE FOR THIS TERMINAL IS -40°C TO +100°C.
- 5. TERMINAL HAS NYE LUBRICANTS NYETACT 561J-50-AG PERFORMANCE LUBE/GREASE APPLIED. THIS IS A WHITISH COLORED LUBE. AMOUNT AND VISIBILITY MAY VARY.
- △ NOT FOR SEALED APPLICATIONS.

REQUIRED REELING DIRECTION FOR TE APPLICATORS
 SCALE 5:1



0.13mm ² = 0.85-1.05	DETAIL B	1.40	2.40	0.80	1.85	△△	2X 0.13mm ²	2035334-8 △ ₆
0.35mm ² = 1.10-1.40							0.35mm ²	
0.85-1.05	DETAIL B	0.85	1.82	0.65	1.50	△△	26 [0.13mm ²]	2035334-7 △ ₆
0.13mm ² = 0.85-1.05	DETAIL A	1.40	2.40	0.80	1.85	△△	2X 0.13mm ²	2035334-6 △ ₆
0.35mm ² = 1.10-1.40							0.35mm ²	
0.85-1.05	DETAIL A	0.85	1.82	0.65	1.50	△△	26 [0.13mm ²]	2035334-5 △ ₆
2.06 MAX	DETAIL B	1.78	2.94	1.00	1.96	△△	18 [0.75mm ²]	2035334-4
1.50-1.85	DETAIL B	1.78	2.94	0.80	1.82	△△	20-22 [0.5-0.35mm ²]	2035334-3
2.06 MAX	DETAIL A	1.78	2.94	1.00	1.96	△△	18 [0.75mm ²]	2035334-2
1.50-1.85	DETAIL A	1.78	2.94	0.80	1.82	△△	20-22 [0.5-0.35mm ²]	2035334-1
INSULATION DIAMETER	REELING	M	L	K	J	FINISH	WIRE SIZE	PART NUMBER

THIS DRAWING IS A CONTROLLED DOCUMENT.

DIMENSIONS:	TOLERANCES UNLESS OTHERWISE SPECIFIED:	DWN: R. VESTAL 01JUL2008	CHK: C. SCHMID 01JUL2008	APVD: C. SCHMID 01JUL2008	NAME: CONTACT, FEMALE, 0.64, GENERATION Y SEALED APPLICATIONS
mm	0 PLC ±0.15	PRODUCT SPEC: 108-2296	APPLICATION SPEC: 114-13183	WEIGHT: -	SIZE: A1
MATERIAL: △	FINISH: -	CUSTOMER DRAWING	SCALE: 15:1	SHEET: 1 OF 1	REV: B3

TE Connectivity